

DRIVER	TEST VOLTAGE	SWEEP FREQUENCY	DCR MIN-MAX.
TLX-2	2.83	2KHZ-20KHZ	5.3-6.2 OHMS
305G-4	4	200HZ-1.2KHZ	4.7-5.2 OHMS
308G-4	4	20HZ-1.2KHZ	5.6-6.2 OHMS
310G-4	4	20HZ-1KHZ	4.4-4.8 OHMS

Technical Manual

JBL940

JBL

SPECIFICATIONS

ACOUSTIC & ELECTRICAL SPECIFICATIONS:

- Rated Impedance: 4 ohm
- Power Range: 10-300 Watts
- Frequency Response: 40 Hz to 20 kHz
- Sensitivity: 94 dB*
- Crossover Frequencies: 200 Hz, 800 Hz, 4 kHz

SYSTEM COMPONENTS:

- Cabinet: CJBL940
- Grille: GJBL940
- Low Frequency: 8" and 10" High Polymer Laminate Transducers

SYSTEM COMPONENTS: (cont'd)

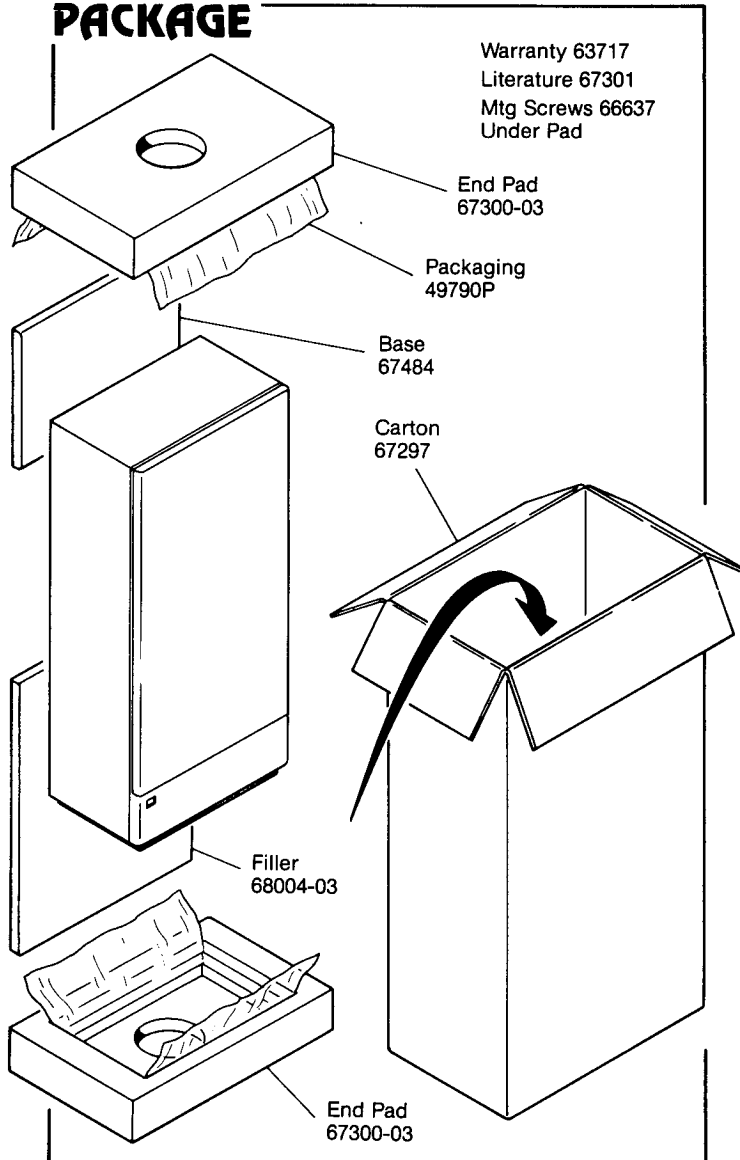
- Mid Range Frequency: 5" High Polymer Laminate Transducer
- High Frequency: 1" Transducer with Titanium Laminate Diaphragm
- Crossover Network: NJBL940, 4-Way System

PHYSICAL SPECIFICATIONS:

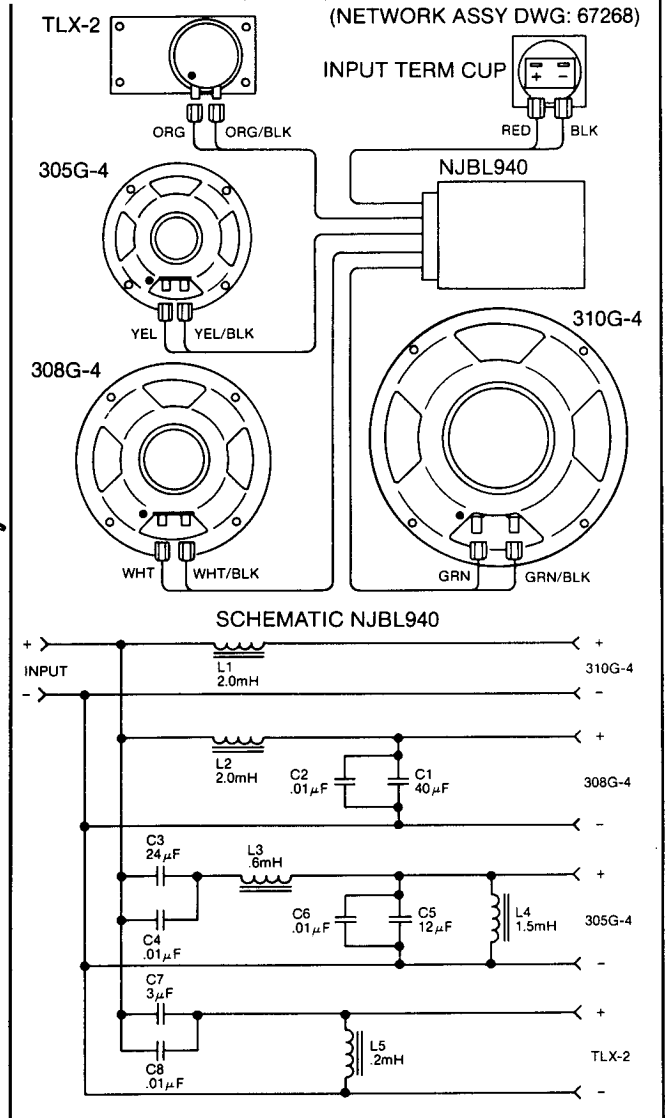
- Enclosure Dimensions: 41.0 x 18.5 x 19.5 D (inch)
- Shipping Weight: 65 lbs.

*1 Meter @ 2.83 VRMS

PACKAGE

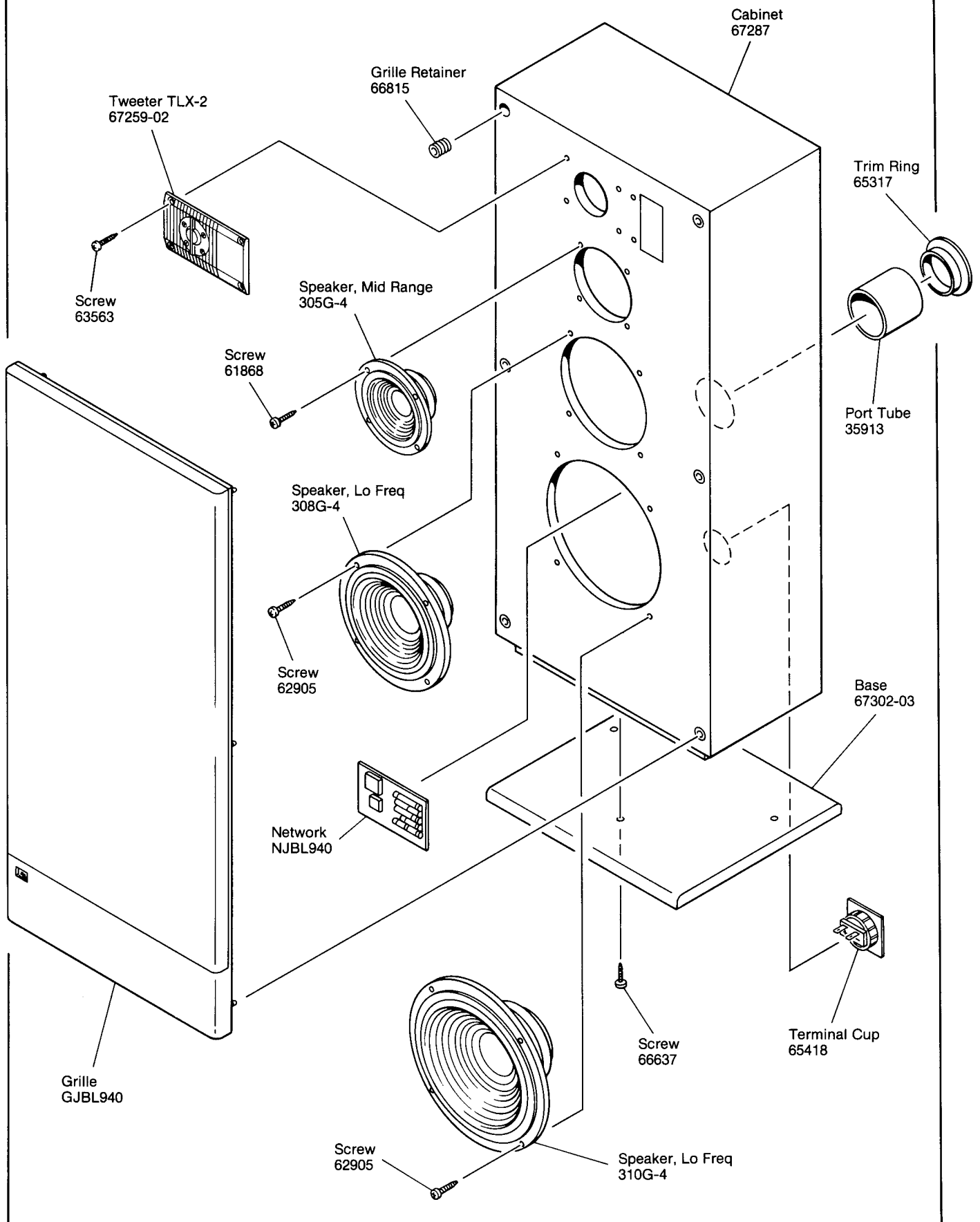


WIRING DIAGRAM



JBL940

COMPONENT EXPLODED VIEW



JBL940