



AS-SUB

SPECIFICATIONS

ACOUSTIC & ELECTRICAL SPECIFICATIONS:

- Nominal Impedance: 8 ohm
- Max Amp Power: 120W
- Frequency Range: 32 Hz – 300 Hz
- Sensitivity: 88 dB SPL, 1 Watt @ 1 Meter
- Crossover Frequency: 150 Hz

SYSTEM COMPONENTS:

- Front Baffle: JBLASSUB010
- Grille: JBLASSUB004 (Assy)
- Low Frequency Transducer: 8 in. (203mm) JBLASSUB003 (Woofer, Dual Voice Coil)
- DC Resistance: 6.8 ohm ±15%
- Crossover Network: JBLASSUB006

AURAL SWEEP TEST SPECIFICATIONS:

- A. System Aural Sweep Test: 6.0V Input, 32 Hz to 300 kHz
- B. L.F. Aural Sweep Test: 6.0V Input, 30 Hz to 1 kHz

PHYSICAL SPECIFICATIONS:

- Enclosure Dimensions: 11.81 in. x 11.81 in. (300mm x 300mm)

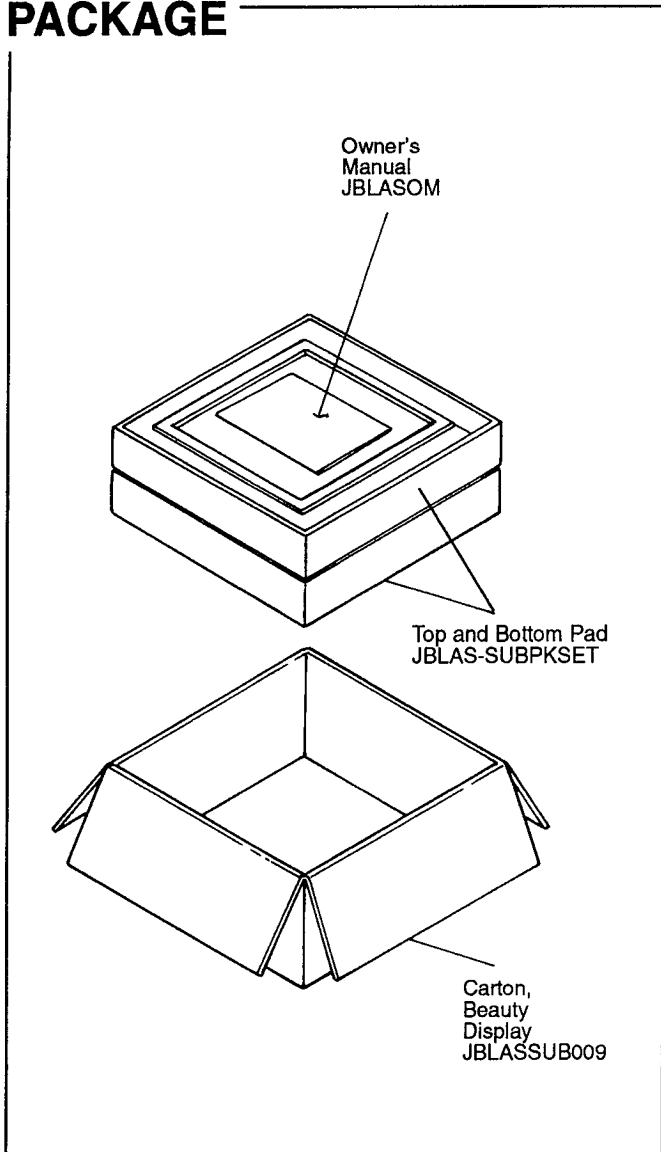
SHIPPING WEIGHT:

9.0 lbs. (4.1 kg.)

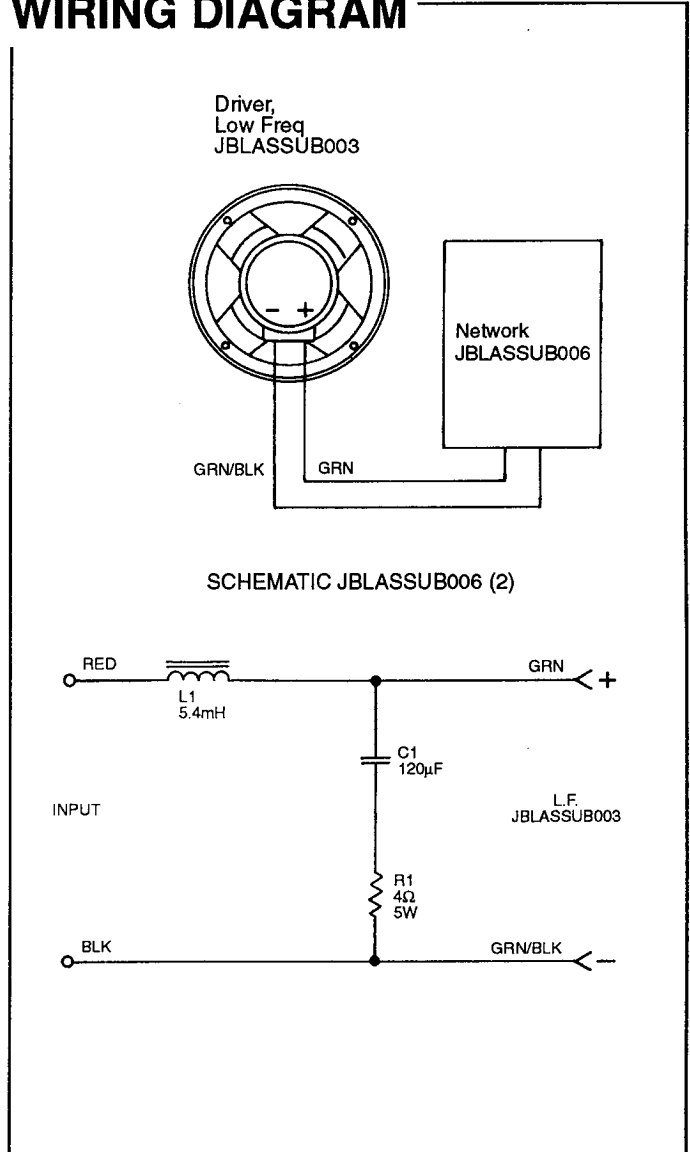
WARRANTY INFORMATION:

- Refer to Warranty Statement packed with each product.

PACKAGE



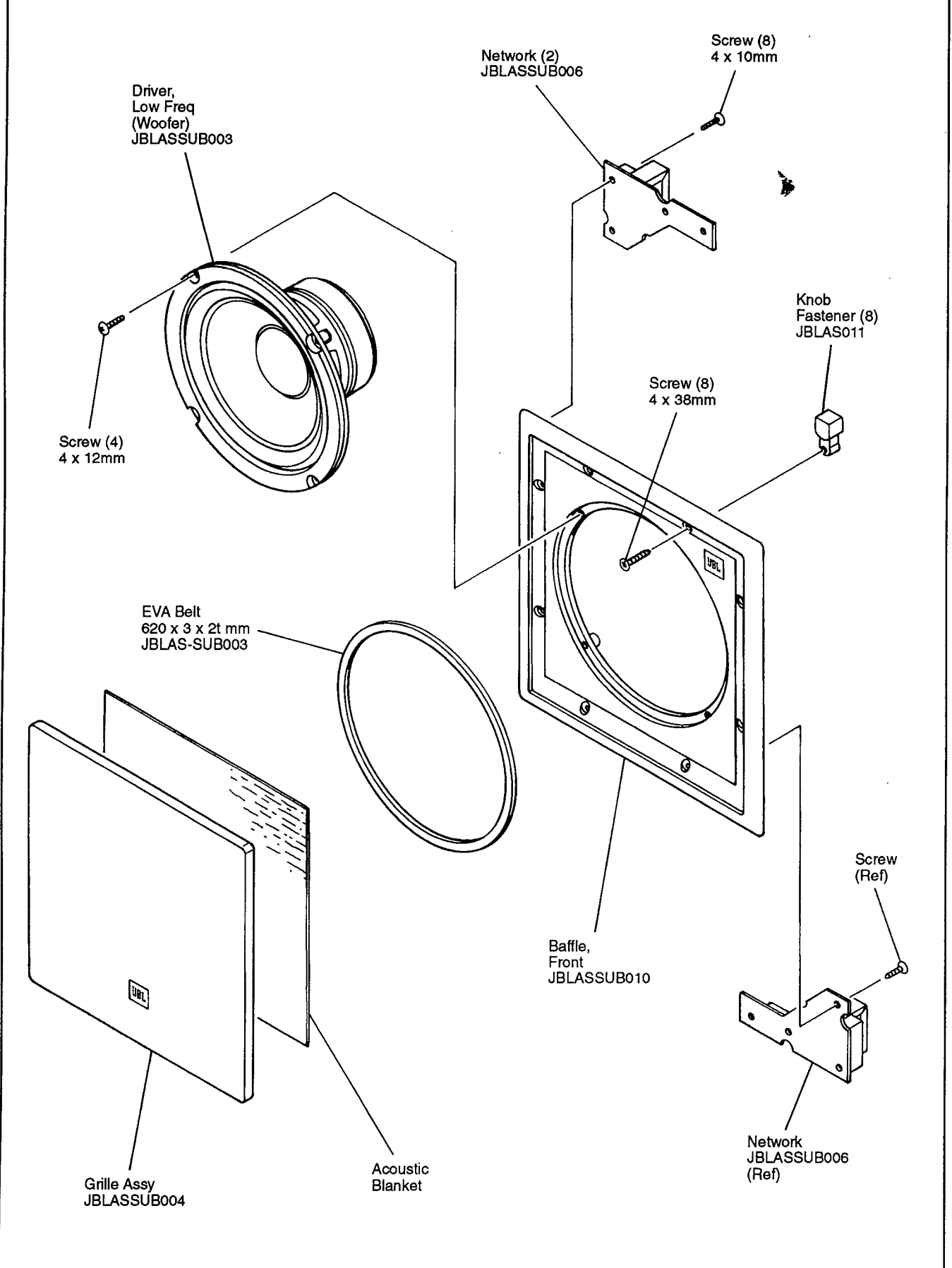
WIRING DIAGRAM



AS-SUB

AS-SUB

COMPONENT EXPLODED VIEW



AS-SUB