



# AS-5

## SPECIFICATIONS

### ACOUSTIC & ELECTRICAL SPECIFICATIONS:

- Nominal Impedance: 8 ohm
- Max Amp Power: 40W
- Frequency Range: 50 Hz – 20 kHz (–6 dB)
- Sensitivity: 88 dB SPL, 1 Watt @ 1 Meter
- Crossover Frequency: 2.5 kHz

### SYSTEM COMPONENTS:

- Front Baffle: JBLAS5010
- Grille: JBLAS5004 (Assy)
- Low Frequency Transducer: 5-1/4 in. (133mm) JBLAS5003 (Woofer)  
DC Resistance: 6.8 ohm ±15%
- High Frequency Transducer: 1 in. (25mm) Pure Titanium JBLAS002 (Tweeter)  
DC Resistance: 6.2 ohm ±15%
- Crossover Network: JBLAS5006

### AURAL SWEEP TEST SPECIFICATIONS:

- A. System Aural Sweep Test: 6.0V Input, 50 Hz to 20 kHz
- B. L.F. Aural Sweep Test: 6.0V Input, 50 Hz to 4 kHz
- C. H.F. Aural Sweep Test: 3.0V Input, 1 kHz to 20 kHz

### PHYSICAL SPECIFICATIONS:

- Enclosure Dimensions: 11.0 in. x 7.5 in. (280mm x 190mm)

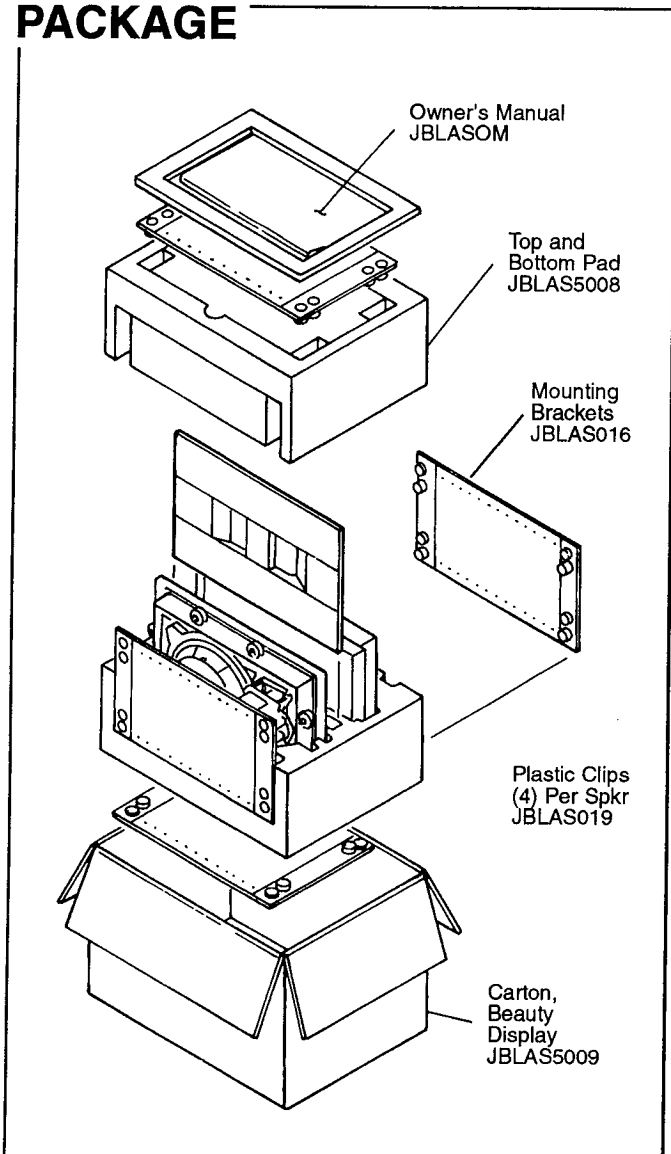
### SHIPPING WEIGHT:

10.5 lbs. (4.7 kg.) (In Pairs)

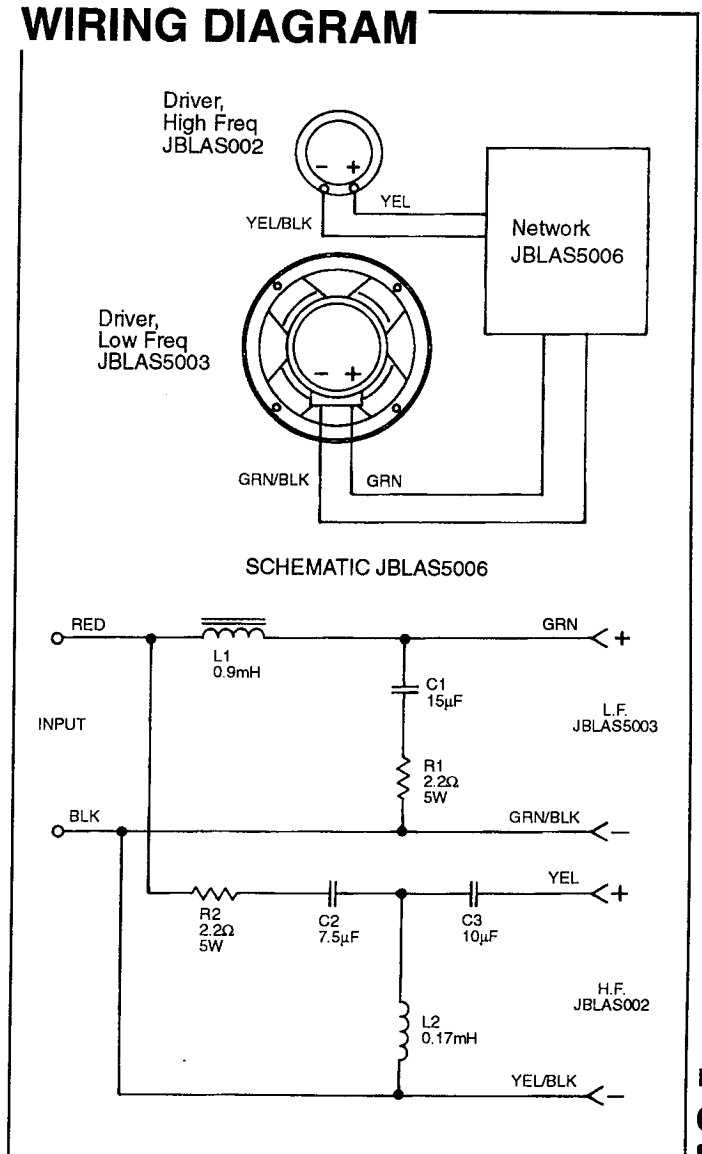
### WARRANTY INFORMATION:

- Refer to Warranty Statement packed with each product.

## PACKAGE



## WIRING DIAGRAM



## COMPONENT EXPLODED VIEW

