

DRIVER	TEST VOLTAGE	SWEEP FREQUENCY	GAP GAUGE	DCR MIN-MAX.
2235H	10	20HZ-1.2KHZ	.053"	4.5-5.5 OHMS

# Technical Manual



# B380

## SPECIFICATIONS

### ACOUSTIC & ELECTRICAL SPECIFICATIONS:

- Nominal Impedance: 8 ohm
- Max Recommended Amplifier Power: 600W Continuous Sine Wave
- Frequency Response: 24 Hz to 70 Hz (-6 db)\*\*
- Sensitivity: 90 dB SPL\*
- Crossover Frequencies: 63 Hz (External Crossover)

### SYSTEM COMPONENTS:

- Cabinet: CB380
- Grille: GB380

\*1 Watt @ 1m (3.3 ft.)

\*\*Thru BX63A Crossover

### SYSTEM COMPONENTS (cont'd)

- Low Frequency Transducer: 2235H (15 in.) 380mm Cone Transducer
- Crossover Network: N/A

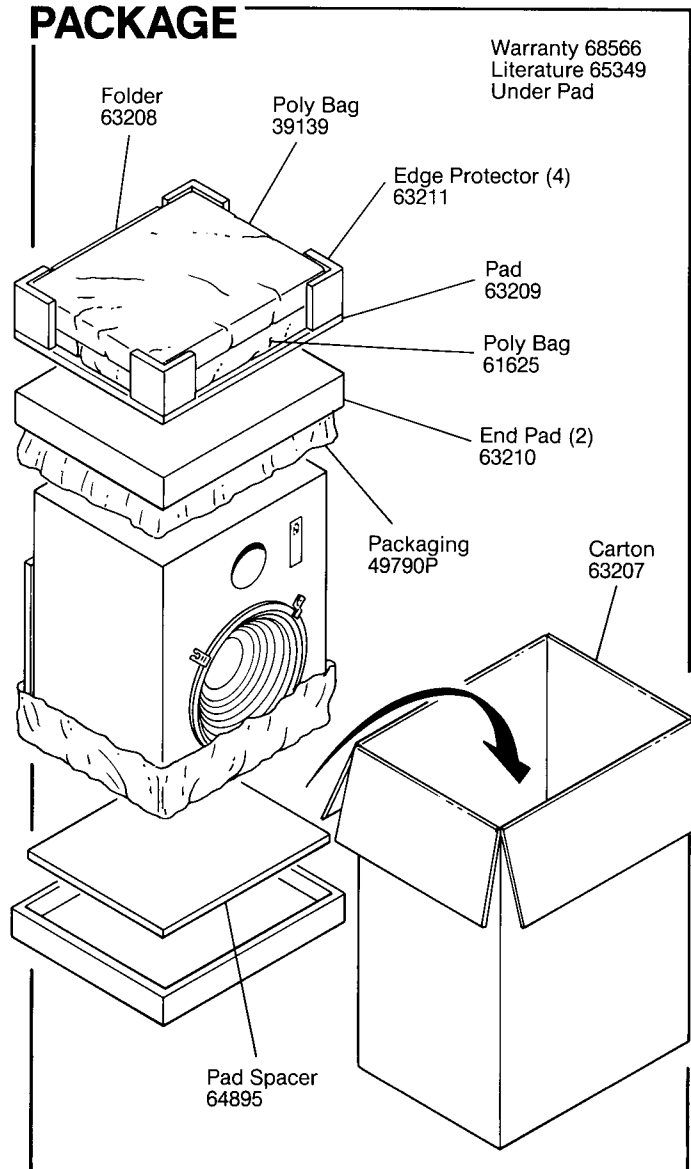
### PHYSICAL SPECIFICATIONS:

- Enclosure Dimensions: (20.75 x 27.5 x 17.0 in. D)  
527mm x 699mm x 432mm D  
492mm (19.38)D W/Grille  
Base Adds 32mm (1.25) To Height
- Shipping Weight: 70 lbs. (32 kg)

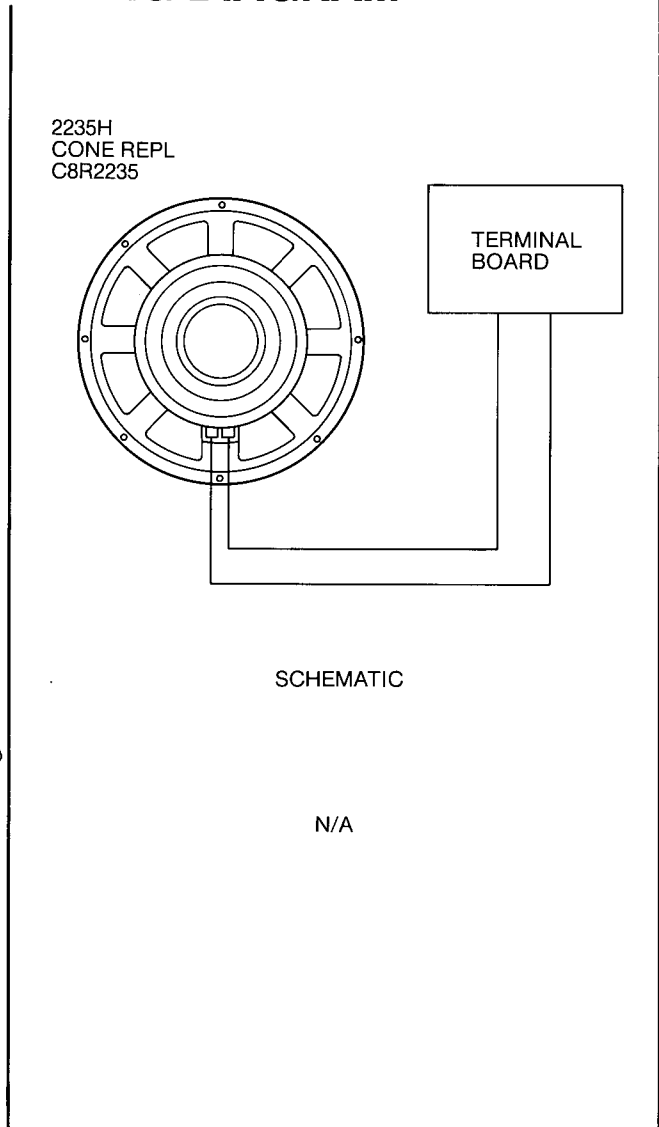
### WARRANTY INFORMATION:

- Refer to the Warranty Statement packed with each product.

## PACKAGE



## WIRING DIAGRAM



B380

REV A 11-91

# B380

## COMPONENT EXPLODED VIEW

