



B460

SPECIFICATIONS

ACOUSTIC & ELECTRICAL SPECIFICATIONS:

- Nominal Impedance: 8 ohm
- Max Recommended Amplifier Power: 800W Continuous Sine Wave
- Frequency Response: 24 Hz to 70 Hz (-6 db)**
- Sensitivity: 94 dB SPL*
- Crossover Frequencies: 63 Hz (External Crossover)

SYSTEM COMPONENTS:

- Cabinet: CB460
- Grille: GB460

*1 Watt @ 1m (3.3 ft.)

**Thru BX63A Crossover

SYSTEM COMPONENTS (cont'd)

- Low Frequency Transducer: 2245H (18 in.) 460mm Cone Transducer
- Crossover Network: N/A

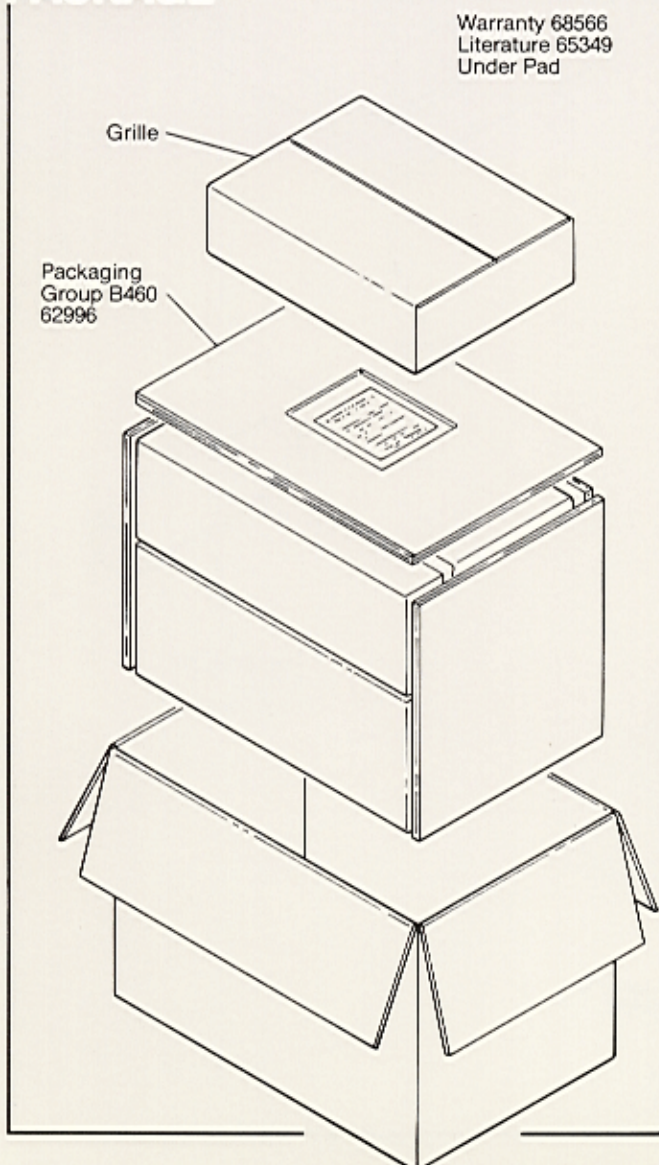
PHYSICAL SPECIFICATIONS:

- Enclosure Dimensions: (24.81 x 38.31 x 24.25 in. D)
631mm x 974mm x 616mm D
- Shipping Weight: 125-1/2 lbs. (57 kg)

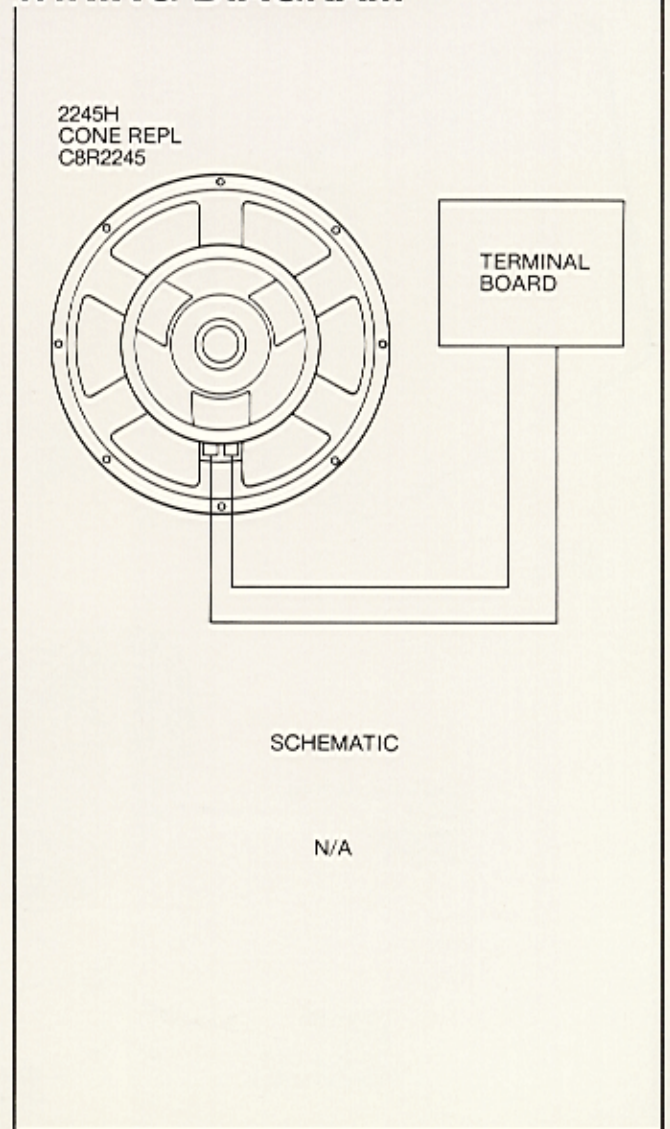
WARRANTY INFORMATION:

- Refer to the Warranty Statement packed with each product.

PACKAGE



WIRING DIAGRAM



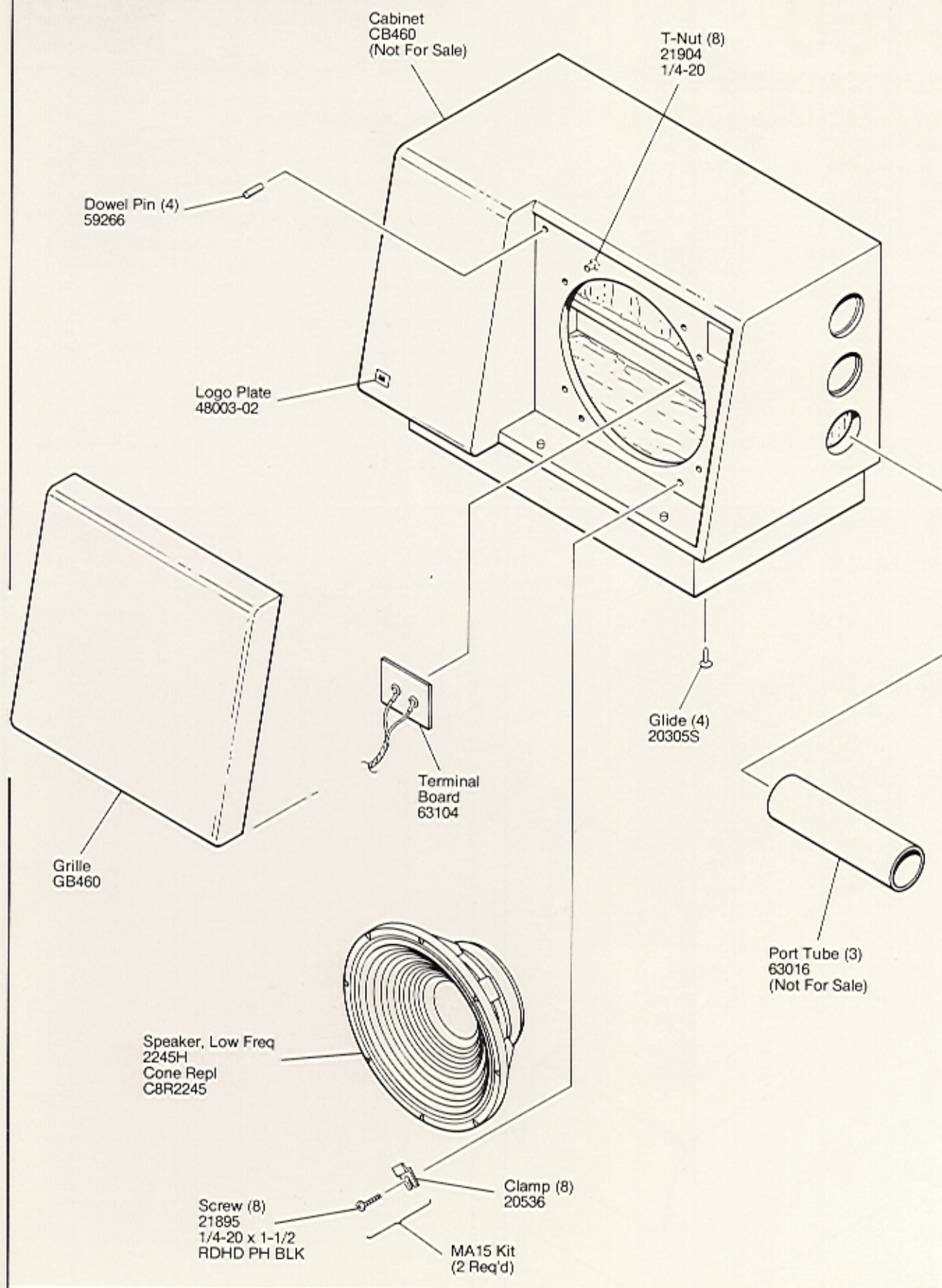
B460

REV A 11-91

| DRIVER | TEST VOLTAGE | SWEEP FREQUENCY | GAP GAUGE | DCR MIN-MAX |
|--------|--------------|-----------------|-----------|----------------|
| 2245H | 10 | 20HZ-1.2KHZ | 0.53" | 4.59-5.61 OHMS |

B460

COMPONENT EXPLODED VIEW



B460