

BASS 1

SPECIFICATIONS

ACOUSTIC & ELECTRICAL SPECIFICATIONS:

- Nominal Impedance: 8 ohm
- Recommended Amp Power: 10W to 100W
- Frequency Response: 40 Hz to 150 Hz (± 3 dB)
- Sensitivity: 88 dB SPL*
- Crossover Frequency: 150 Hz (Nominal)

SYSTEM COMPONENTS:

- Cabinet: CBass1 (Not For Sale)
- Grille: N/A
- Low Frequency Transducer: SE5H 5-1/4 in. (130mm) (75089-01)
SE5HS 5-1/4 In. (130mm) (75089) Shielded
- DC Resistance: 5.0 ohm $\pm 5\%$
- Crossover Network: NBass1

SYSTEM COMPONENTS: (cont'd)

AURAL SWEEP TEST SPECIFICATIONS:

- A. System Aural Sweep Test: 5.0V Input, 10 Hz to 1 kHz
- B. L.F. Aural Sweep Test: 5.0V Input, 10 Hz to 1 kHz

PHYSICAL SPECIFICATIONS:

- Enclosure Dimensions: 16.28 x 10.25 x 8.80 in. D
(414mm x 260mm x 224mm D)
- Shipping Weight: 44 lbs. (19.9 kg.)

WARRANTY INFORMATION:

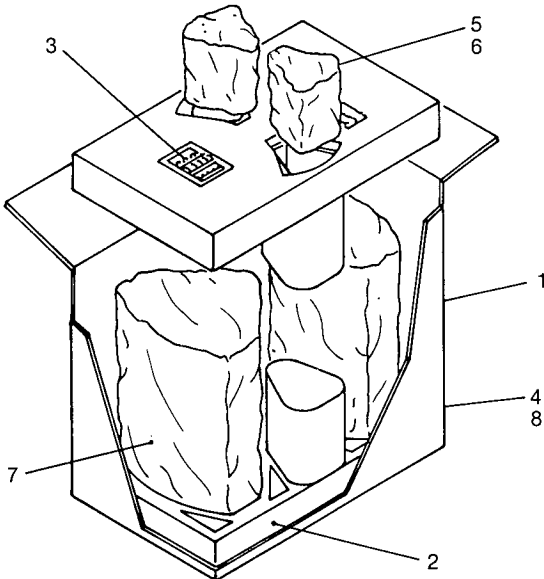
- Refer to the Warranty Statement packed with each product.

*1 Watt @ 1 Meter

PACKAGE

Warranty 76310
Music 1 Owner's Manual 76309-03

MUSIC 1

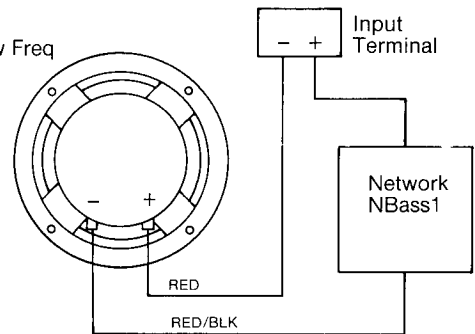


- 1 Carton, 75169
- 2 End Pad, (2), 75170
- 3 Wire Manager, 75143
- 4 Rubber Disk, 75196
- 5 Plastic Bag (2), 41122
- 6 Microfoam Packaging, 49790P
- 7 Poly Bag (2), 21938
- 8 Installation Kit, 76217-01

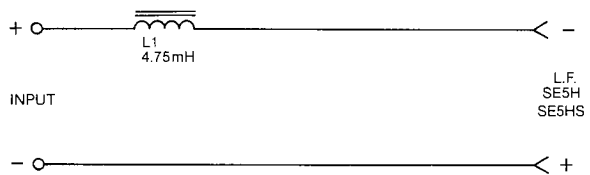
NOTE: THE BASS 1 IS PART OF THE SOUND EFFECTS MUSIC 1 SPEAKER SYSTEM.

WIRING DIAGRAM

Speaker, Low Freq
SE5H
(75089-01)
SE5HS
(75089)
Shielded



SCHEMATIC NBass 1



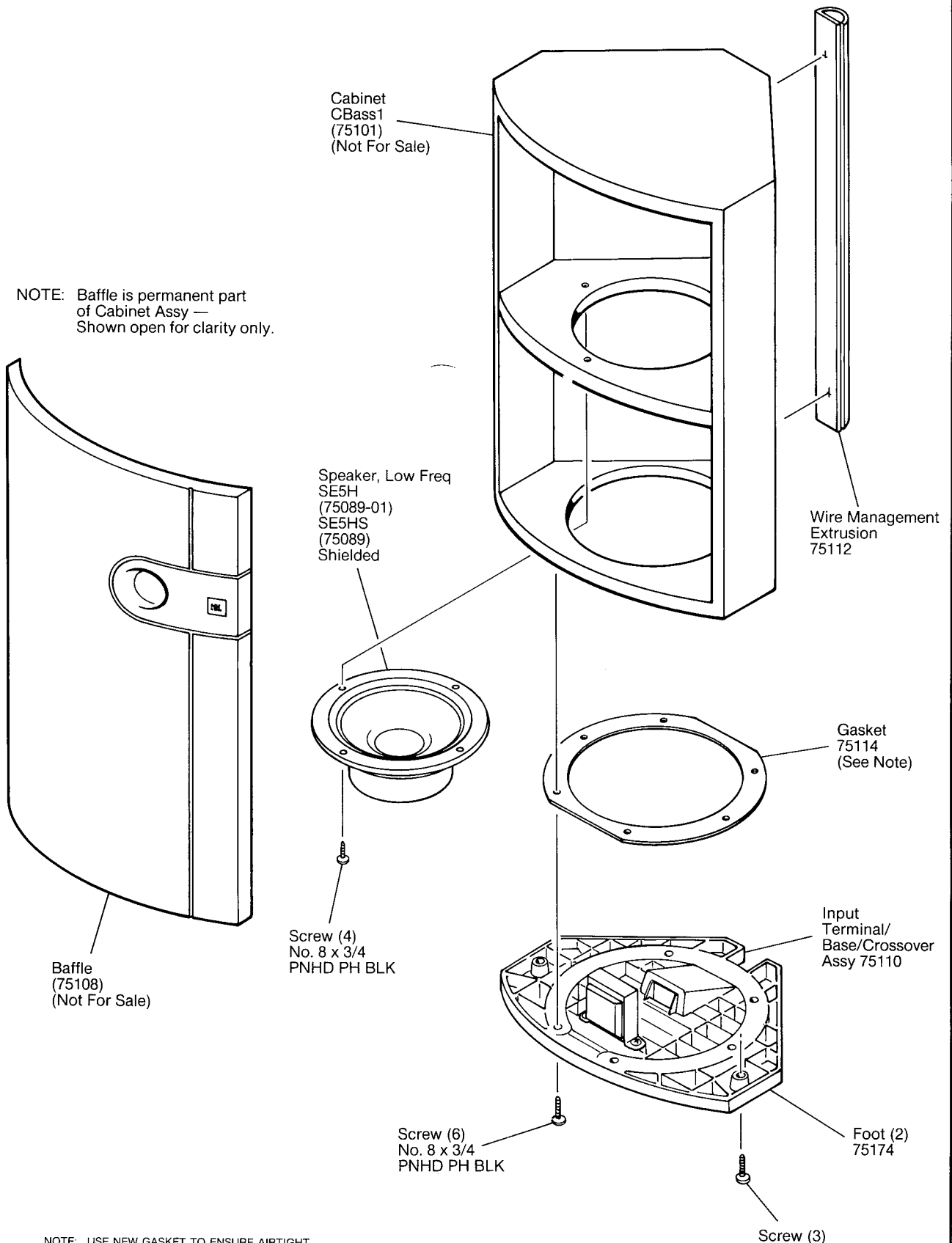
NOTE: CONE/DIAPHRAGM KIT NOT AVAILABLE. DEFECTIVE SPEAKER SHOULD BE REPLACED.

BASS 1

BASS 1

COMPONENT EXPLODED VIEW

NOTE: Baffle is permanent part of Cabinet Assy —
Shown open for clarity only.



NOTE: USE NEW GASKET TO ENSURE AIRTIGHT SEAL WHEN SERVICING SPEAKER