

# Technical Manual



# JBL CD5518

## SPECIFICATIONS

### ACOUSTIC & ELECTRICAL SPECIFICATIONS:

- Nominal Impedance: 4 ohm
- Power Capacity: 600W
- Frequency Range: 40 Hz to 2.0 kHz (-10 dB)
- Sensitivity: 98 dB SPL\*
- Crossover Frequencies: N/A

### SYSTEM COMPONENTS:

- Cabinet: CD5518-01
- Grille: Kick Screen HDW GR 15
- Low Frequency Transducer: 460mm (18 in.) Paper Cone Transducer (2241G)
- DC Resistance: 2.5 ohm ±10% Aluminum Wire

\*1 Watt (2.83 V RMS) @ 1 Meter

### SYSTEM COMPONENTS: (cont'd)

- Crossover Network: N/A

### AURAL SWEEP TEST SPECIFICATIONS:

- A. System Aural Sweep Test: 7.0V Input, 20 Hz to 20 kHz
- B. L.F. Aural Sweep Test: 7.0V Input, 20 Hz to 1.2 kHz

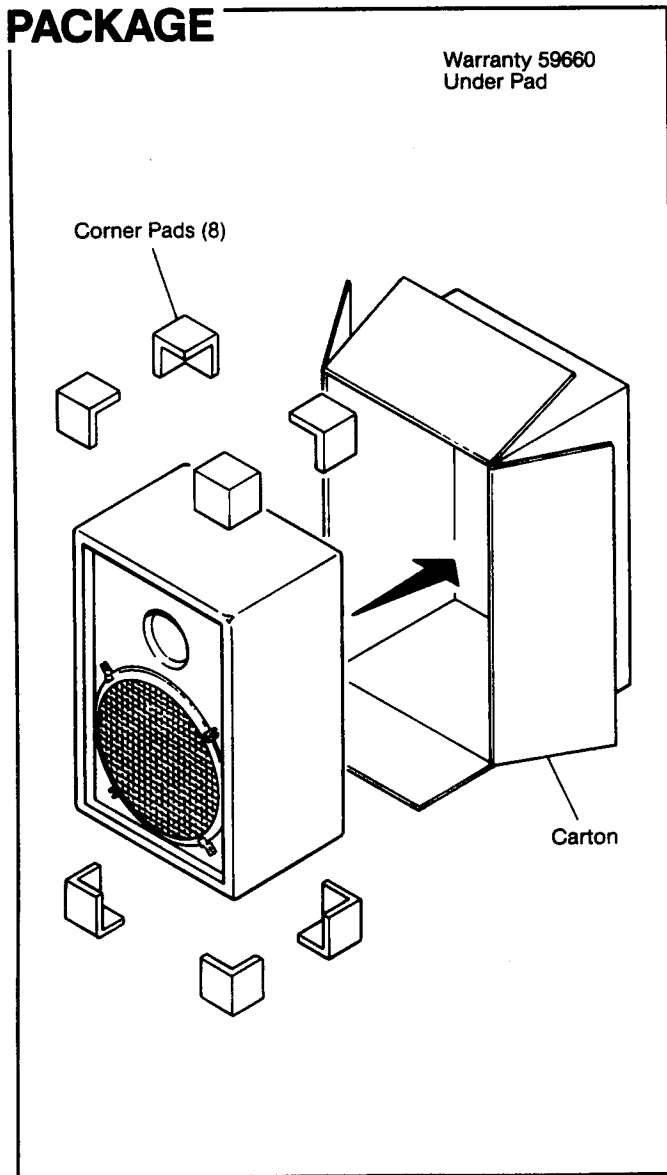
### PHYSICAL SPECIFICATIONS:

- Enclosure Dimensions: 813mm x 508mm x 356mm D (32.0 x 20.0 x 14.0 in. D)
- Shipping Weight:

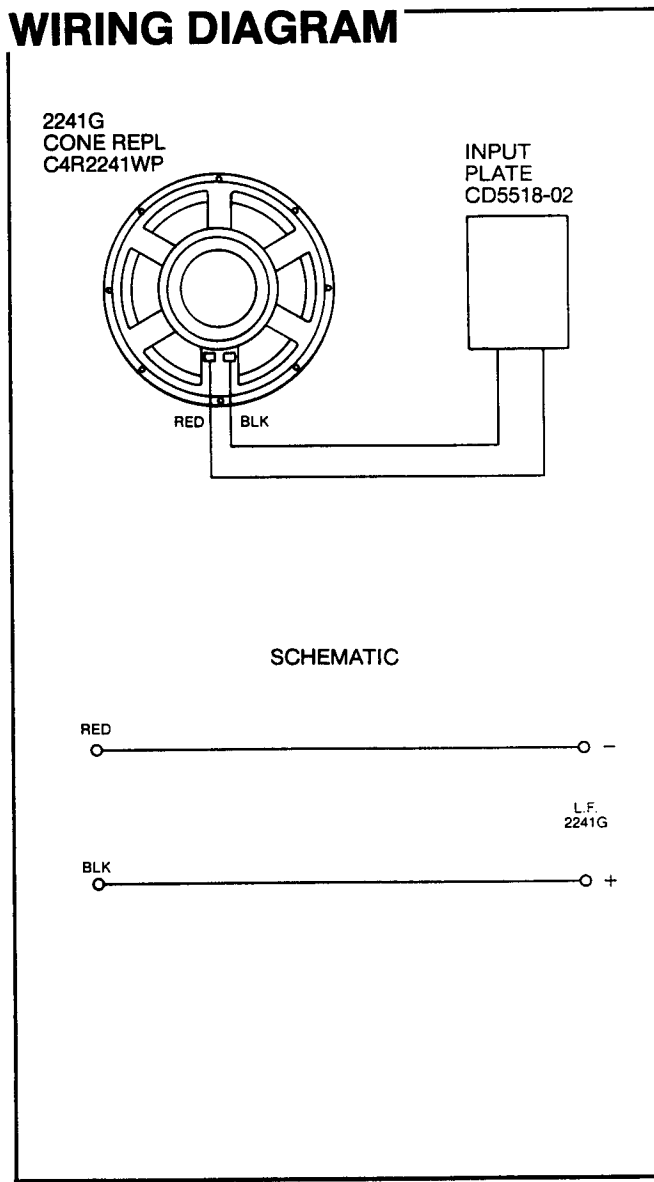
### WARRANTY INFORMATION:

- Refer to the Warranty Statement packed with each product.

## PACKAGE

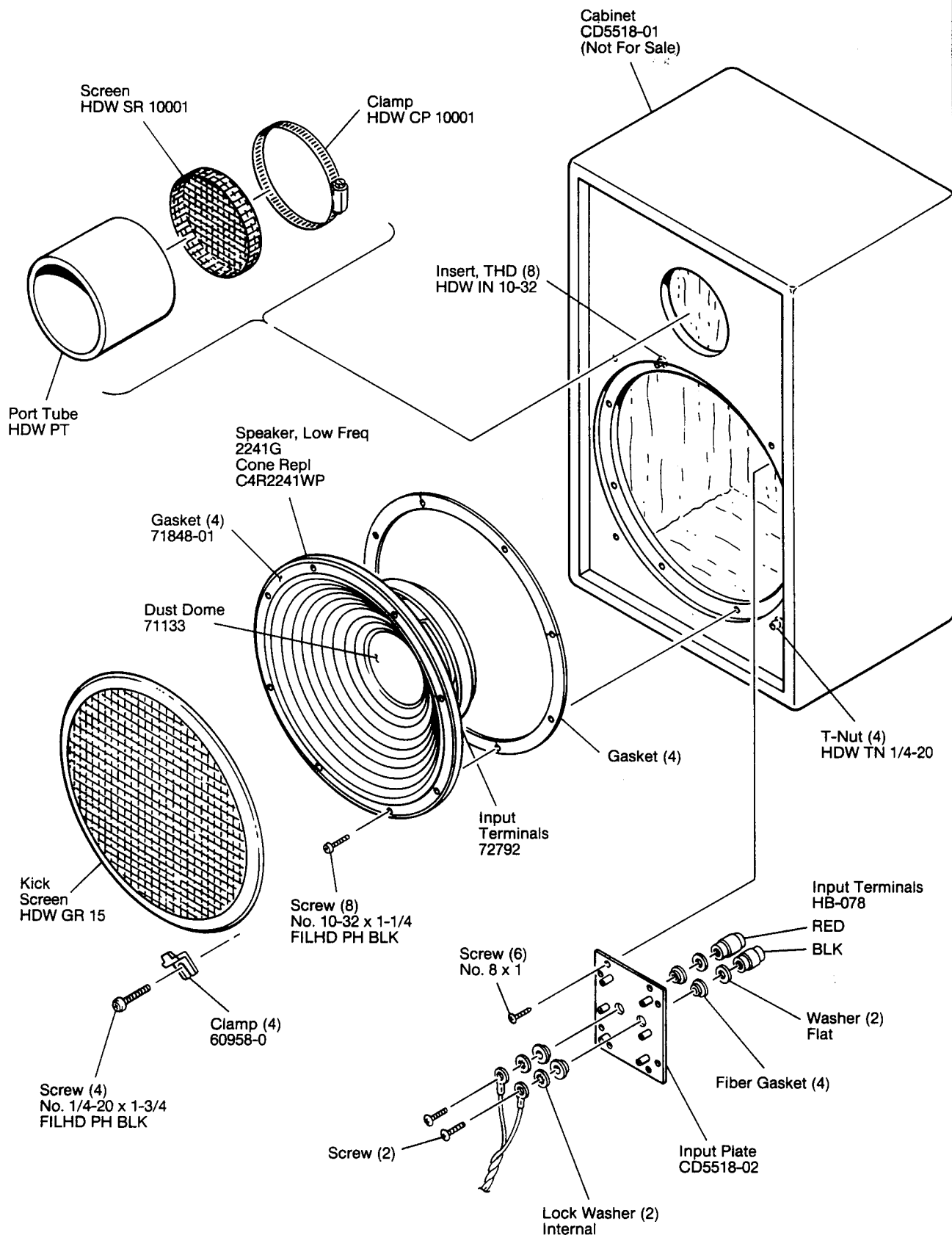


## WIRING DIAGRAM



# JBL CD5518

## COMPONENT EXPLODED VIEW



JBL CD5518