

CL505

SPECIFICATIONS

ACOUSTIC & ELECTRICAL SPECIFICATIONS:

- Nominal Impedance: 8 ohm
- Recommended Amp Power: 10W to 125W
- Frequency Range: 70 Hz to 20 kHz (-6 dB)
- Sensitivity: 90 dB SPL*
- Crossover Frequency: 3 kHz

SYSTEM COMPONENTS:

- Cabinet: CCL505 (B6140669)
- Grille: GCL505 (B6940150)
- Low Frequency Transducer: 5 in. (127mm) Cellulose Fiber Laminate (C120R06J1970)
- DC Resistance: 7.4 ohm ±10% Copper Wire
- High Frequency Transducer: 1 in. (25mm) H.R.D. Laminate (AW025JL1D08TTL10A1)

*1 Watt @ 1 Meter

SYSTEM COMPONENTS: (cont'd)

- DC Resistance: 5.8 ohm ±10% Copper Wire
- Crossover Network/ Terminal Cup: B6034165

AURAL SWEEP TEST SPECIFICATIONS:

- A. System Aural Sweep Test: 6.0V Input, 20 Hz to 20 kHz
- B. L.F. Aural Sweep Test: 6.0V Input, 20 Hz to 4 kHz
- C. H.F. Aural Sweep Test: 2.83V Input, 2 kHz to 20 kHz

PHYSICAL SPECIFICATIONS:

- Enclosure Dimensions: 7.12 x 20.0 x 8.5 in. D (183mm x 508mm x 216mm)

SHIPPING WEIGHT:

20 lbs. (9.1 kg.)

WARRANTY INFORMATION:

- Refer to the Warranty Statement packed with each product.

PACKAGE

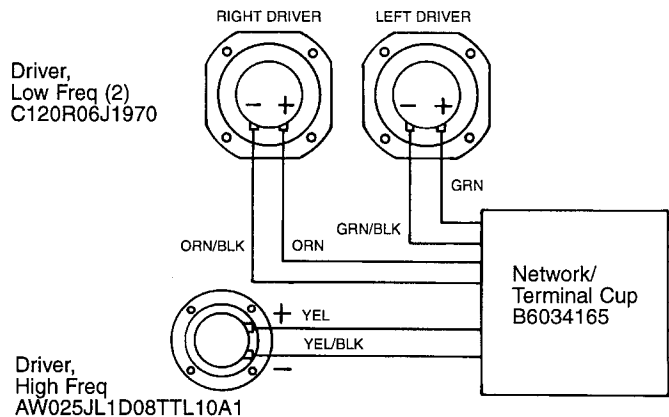
Warranty 15-35-4026-00
Owners Manual 15-30-4145-00

Corner Pad
15-61-4007-00

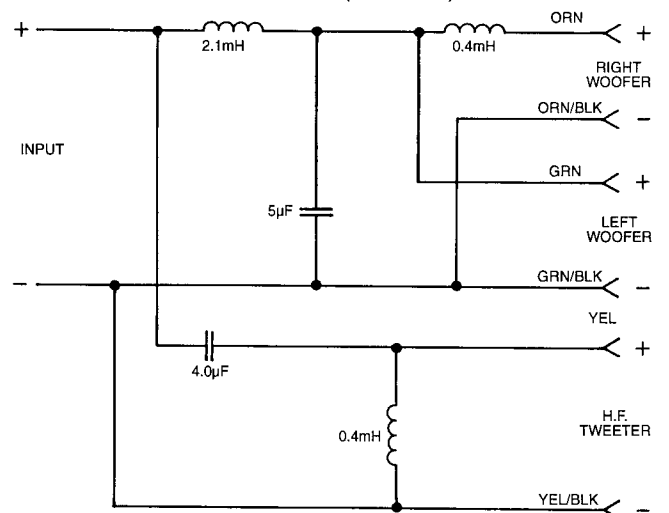
Polybag
15-56-4083-00

Carton
15-28-4176-00

WIRING DIAGRAM



SCHEMATIC (B6034165)



NOTE: CONE/DIAPHRAGM KIT NOT AVAILABLE. DEFECTIVE DRIVER SHOULD BE REPLACED.

CL505

CL505

COMPONENT EXPLODED VIEW

