

# Technical Manual



# JBL E130-4, (-8, -16)

## SPECIFICATIONS

### ACOUSTIC & ELECTRICAL SPECIFICATIONS:

- Nominal Impedance: 4 ohm, 8 ohm, 16 ohm
  - Power Capacity: 300W Continuous Program  
150W Continuous Sine Wave<sup>2</sup>
  - Frequency Range: 50 Hz to 6000 kHz
  - Sensitivity: 105 dB SPL\*
  - Crossover Frequencies: N/A
- ### SYSTEM COMPONENTS:
- Cabinet: N/A
  - Grille: N/A
  - Low Frequency Transducer: 380mm (15 in.) Cone Transducer (E130-4, -8, -16)
  - DC Resistance: 3.2 ohm ±10% Aluminum Wire (-4)  
6.3 ohm ±10% Aluminum Wire (-8)  
13.0 ohm ±10% Aluminum Wire (-16)

### AURAL SWEEP TEST SPECIFICATIONS:

- L.F. Aural Sweep Test: 7.0V Input, 20 Hz to 1.2 kHz (-4)  
7.0V Input, 20 Hz to 1.2 kHz (-8)  
14.0V Input, 20 Hz to 1.2 kHz (-16)

### PHYSICAL SPECIFICATIONS:

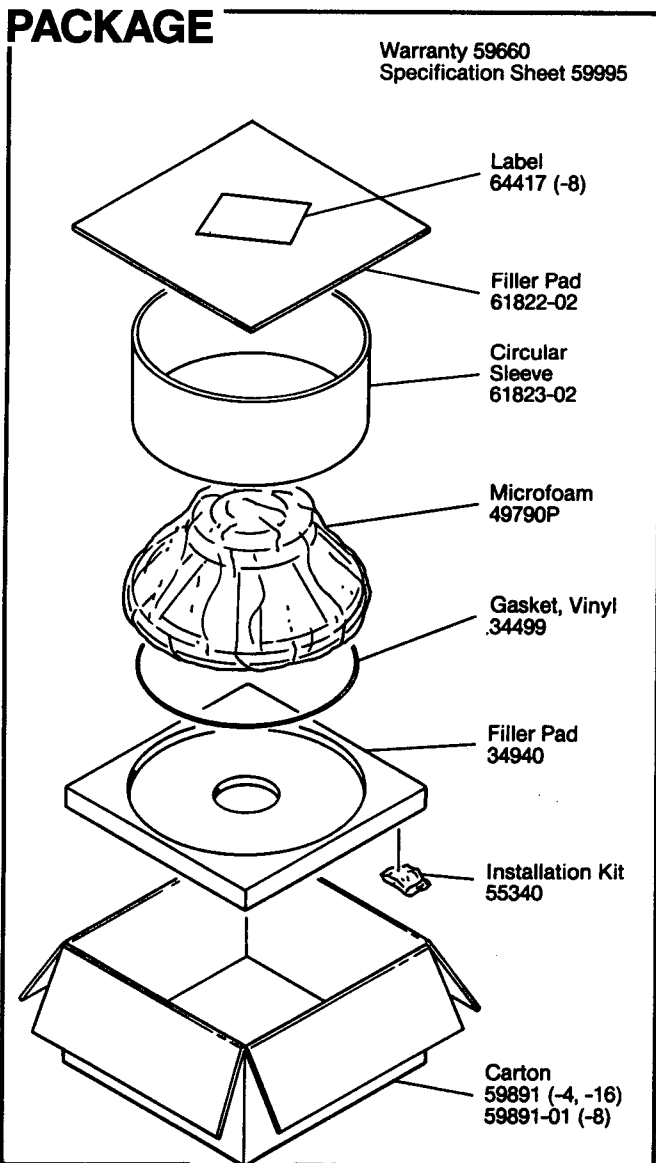
- Enclosure Dimensions: 387mm x 387mm x 137mm D  
(15.25 x 15.25 x 5.38 in. D)
- Net Weight: 22-1/4 lbs. (10.1 kg.)

### WARRANTY INFORMATION:

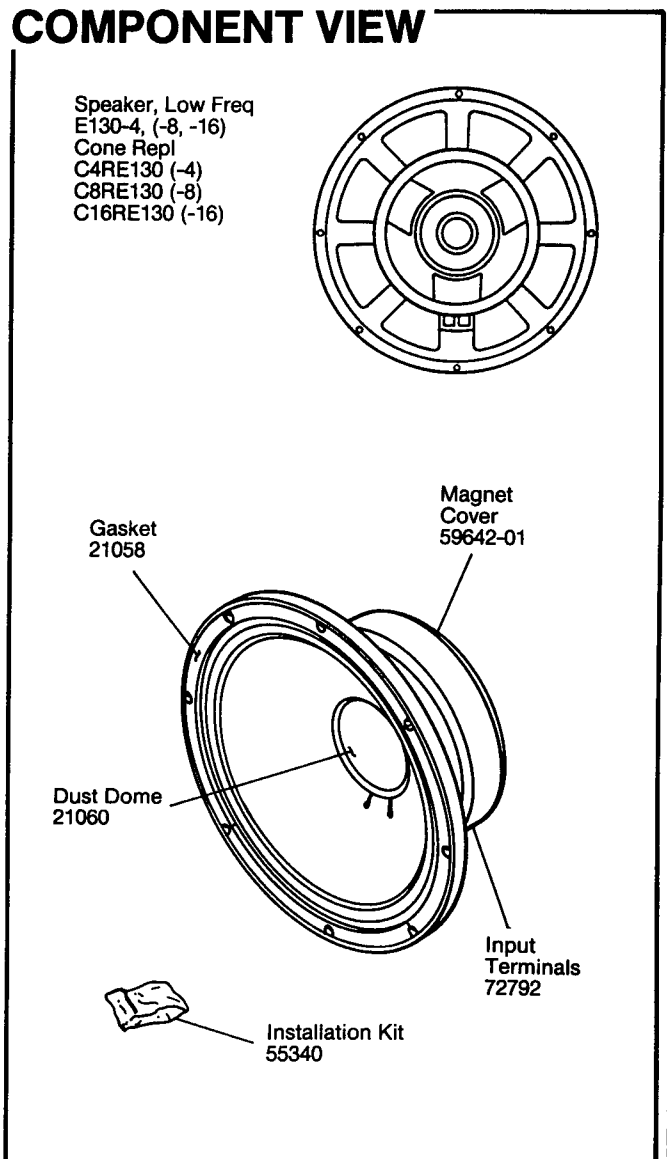
- Refer to the Warranty Statement packed with each product.

\*1 Watt (2.0 V RMS) @ 1 Meter (-4)  
\*1 Watt (2.83 V RMS) @ 1 Meter (-8)  
\*1 Watt (4.0 V RMS) @ 1 Meter (-16)

## PACKAGE



## COMPONENT VIEW

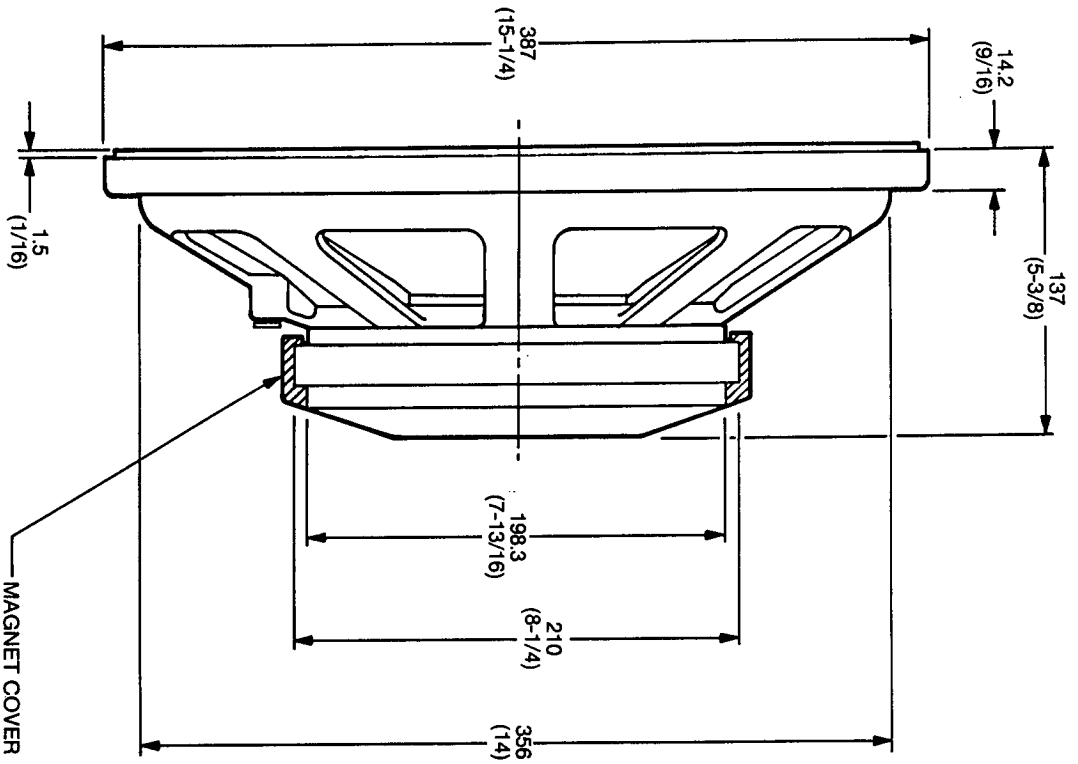


JBL E130-4 (-8, -16) REV A

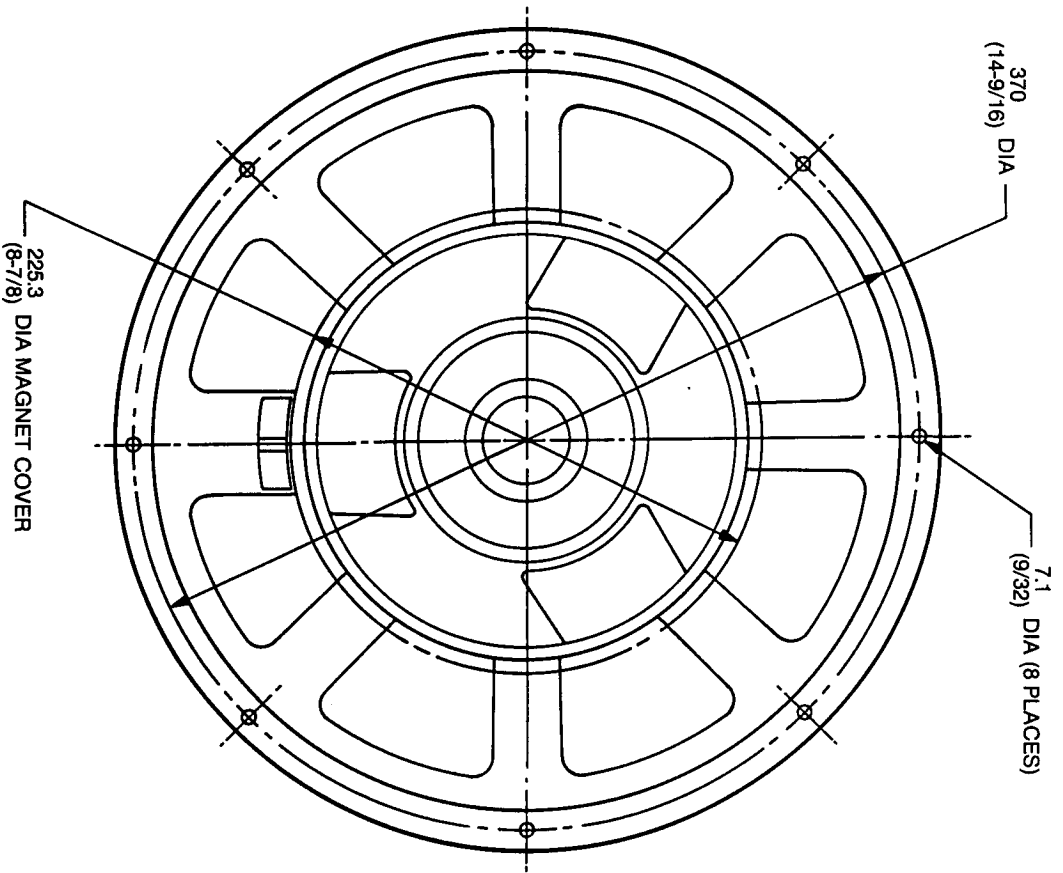
# JBL E130-4, (-8, -16)

## MECHANICAL DRAWING

THESE DRAWINGS AND SPECIFICATIONS ARE THE PROPERTY OF JBL INCORPORATED. THEY ARE ISSUED IN STRICT CONFIDENCE AND SHALL NOT BE REPRODUCED, COPIED, OR USED AS THE BASIS FOR MANUFACTURE OR SALE OF REPLICAS WITHOUT WRITTEN PERMISSION.



ALL DIMENSIONS ARE REF. ONLY  
NOTE: DIMENSIONS IN ( ) ARE IN INCHES



JBL E130-4, (-8, -16)