

# Technical Manual



# JBL E155-4, (-8)

## SPECIFICATIONS

### ACOUSTIC & ELECTRICAL SPECIFICATIONS:

- Nominal Impedance: 4 ohm, 8 ohm
- Power Capacity: 600W Continuous Program  
300W Continuous Sine Wave<sup>2</sup>
- Frequency Range: 30 Hz to 2000 Hz
- Sensitivity: 100 dB SPL\*
- Crossover Frequencies: N/A

### SYSTEM COMPONENTS:

- Cabinet: N/A
- Grille: N/A
- Low Frequency Transducer: 460mm (18 in.) Cone Transducer (E155-4, -8)
- DC Resistance: 2.5 ohm ±10% Copper Wire (-4)  
6.0 ohm ±10% Copper Wire (-8)

### AURAL SWEEP TEST SPECIFICATIONS:

- L.F. Aural Sweep Test: 7.0V Input, 20 Hz to 1.2 kHz (-4)  
7.0V Input, 20 Hz to 1.2 kHz (-8)

### PHYSICAL SPECIFICATIONS:

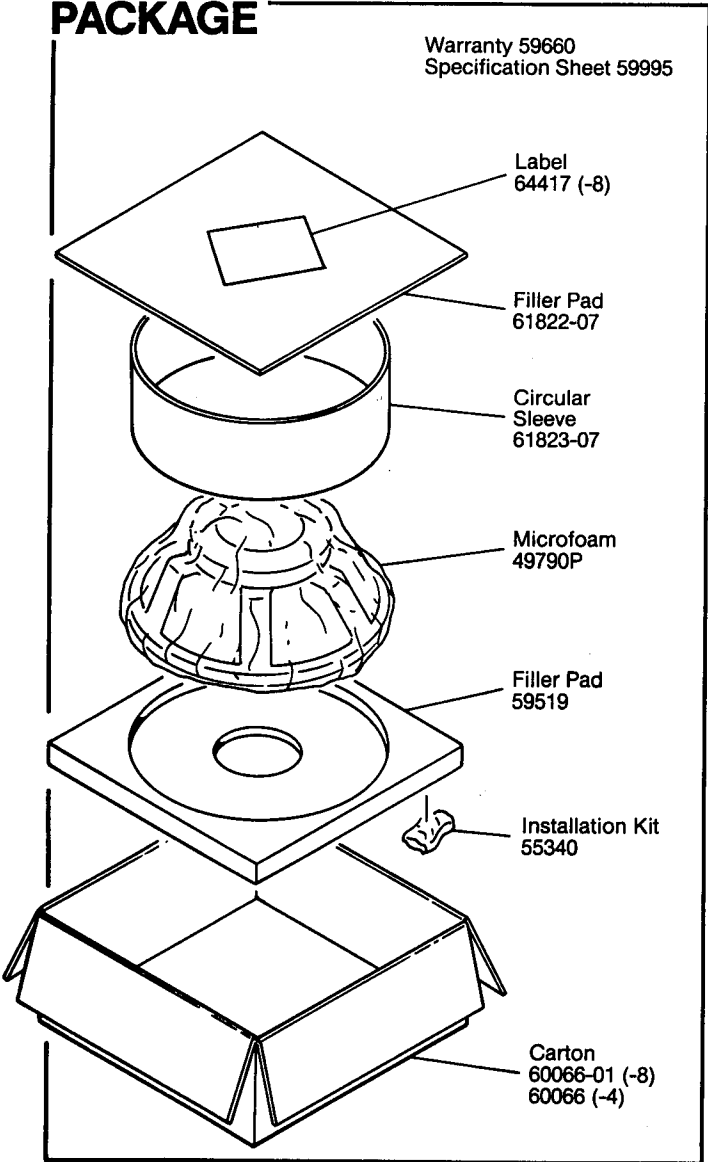
- Enclosure Dimensions: 464mm x 464mm x 184mm D  
(18.25 x 18.25 x 7.25 in. D)
- Net Weight: 26-1/4 lbs. (11.9 kg.)

### WARRANTY INFORMATION:

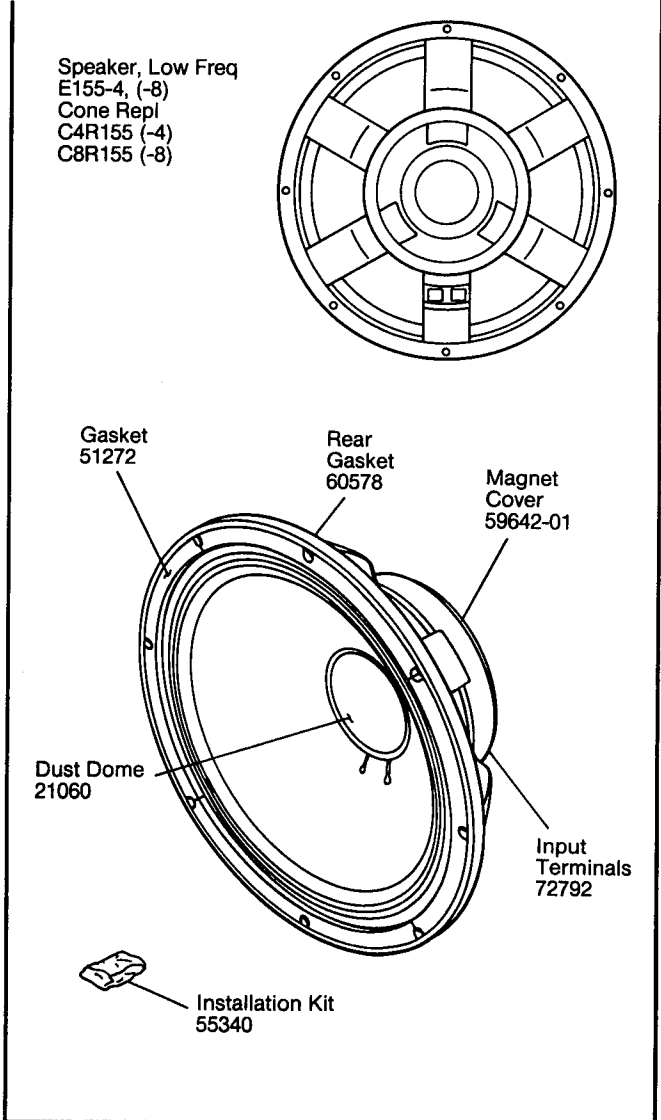
- Refer to the Warranty Statement packed with each product.

\*1 Watt (2.0 V RMS) @ 1 Meter (-4)  
\*1 Watt (2.83 V RMS) @ 1 Meter (-8)

## PACKAGE



## COMPONENT VIEW

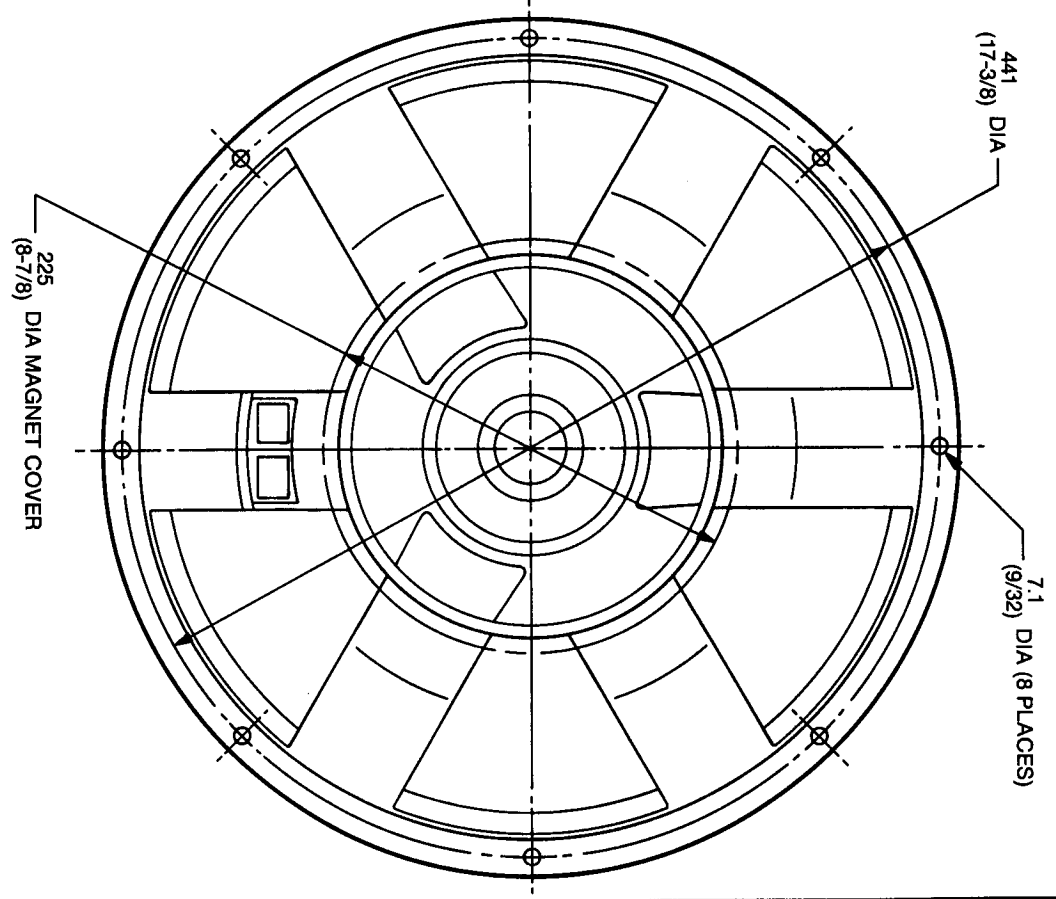
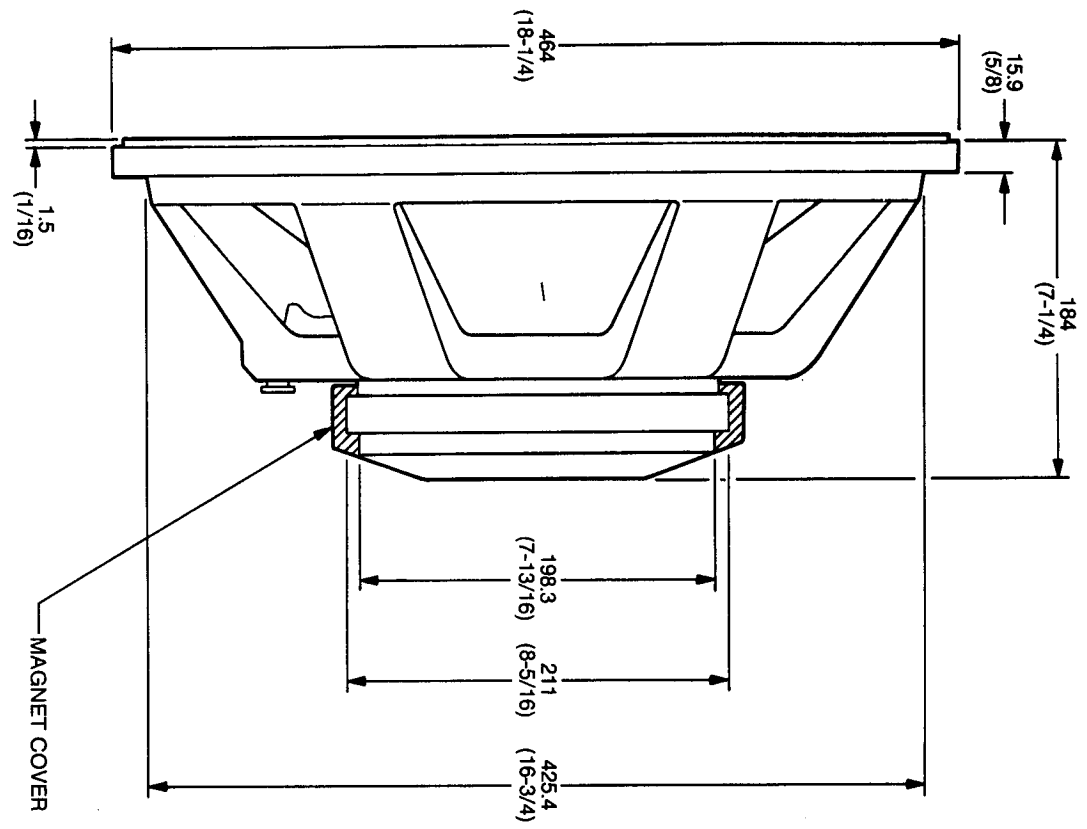


JBL E155-4, (-8) REV A

# JBL E155-4, (-8)

## MECHANICAL DRAWING

THESE DRAWINGS AND SPECIFICATIONS ARE THE PROPERTY OF JBL INCORPORATED. THEY ARE ISSUED IN STRICT CONFIDENCE AND SHALL NOT BE REPRODUCED, COPIED, OR USED AS THE BASIS FOR MANUFACTURE OR SALE OF APPARATUS WITHOUT WRITTEN PERMISSION.



ALL DIMENSIONS ARE REF. ONLY  
NOTE: DIMENSIONS IN ( ) ARE IN INCHES

JBL E155-4, (-8)