



FLIX 1 CENTER/ SURROUND

SPECIFICATIONS

CENTER

ACOUSTIC & ELECTRICAL SPECIFICATIONS:

- Nominal Impedance: 8 ohm
- Recommended Amp Power: 10W to 70W
- Frequency Response: 100 Hz to 20 kHz (-6dB)
- Sensitivity: 89 dB SPL*
- Crossover Frequency: 9.0 kHz

SYSTEM COMPONENTS:

- Cabinet: CFLIX Center (Not For Sale)
- Low Frequency Transducer: CT-249-S 4-1/2 In. (114mm) Hi-Polymer Laminate (2)
- DC Resistance: 7.0 ohm ±10%
- High Frequency Transducer: 2 in. (50mm) Paper Cone 72773-REV A
- DC Resistance: 7.0 ohm ±10%
- Crossover Network: NFLIX Center (JBEN01-S)

AURAL SWEEP TEST SPECIFICATIONS:

- A. System Aural Sweep Test: 5.0V Input, 80 Hz to 20 kHz
- B. L.F. Aural Sweep Test: 5.0V Input, 80 Hz to 4 kHz
- C. H.F. Aural Sweep Test: 3.0V Input, 4 kHz to 20 kHz

PHYSICAL SPECIFICATIONS:

- Enclosure Dimensions: 6.0 x 16.0 x 6.25 in. D (152mm x 406mm x 159mm D)
- Shipping Weight: See Package

SURROUND (2)

ACOUSTIC & ELECTRICAL SPECIFICATIONS:

- Nominal Impedance: 8 ohm
- Recommended Amp Power: 10W to 35W
- Frequency Response: 120 Hz to 16 kHz (-6dB)
- Sensitivity: 87 dB SPL*
- Crossover Frequency: N/A

SYSTEM COMPONENTS:

- Cabinet: CFLIX Surround (Not For Sale)
- Low Frequency Transducer: CT-350 4-1/2 In. (114mm) (Full Range) Hi-Polymer Laminate
- DC Resistance: 6.8 ohm ±10%
- Crossover Network: NFLIX Surr (JBEN00-S)

AURAL SWEEP TEST SPECIFICATIONS:

- A. System Aural Sweep Test: 5.0V Input, 100 Hz to 16 kHz

PHYSICAL SPECIFICATIONS:

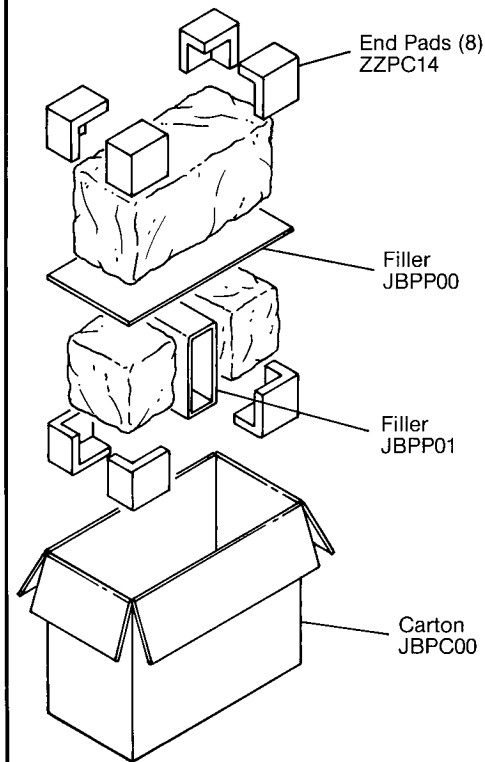
- Enclosure Dimensions: 6.0 x 6.37 x 5.5 in. D (152mm x 162mm x 140mm D)
- Shipping Weight: See Package

WARRANTY INFORMATION:

- Refer to the Warranty Statement packed with each product.
- *1 Watt @ 1 Meter

PACKAGE

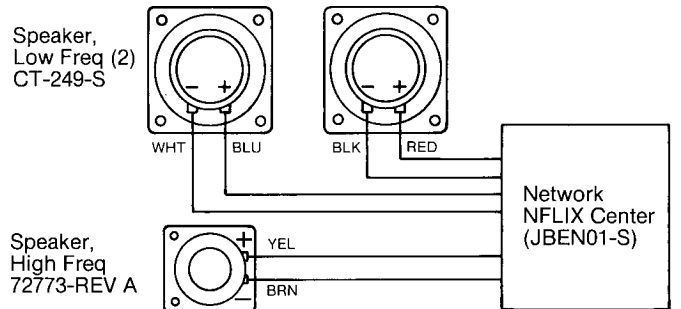
Warranty 73885
Owners Manual JBLM00



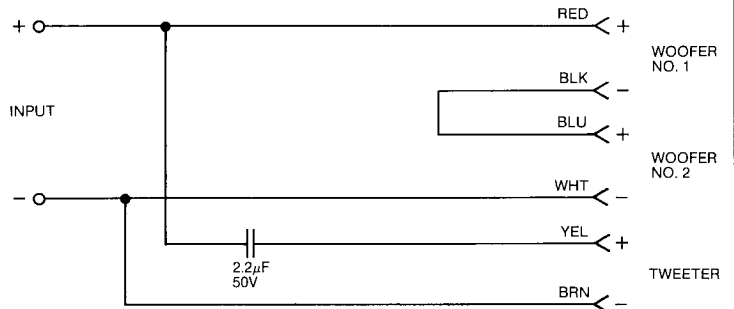
- Total Shipping Weight: 19 lbs. (8.7 kg.)

WIRING DIAGRAM

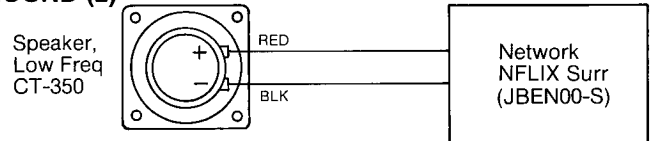
CENTER



SCHEMATIC NFLIX CENTER



SURROUND (2)

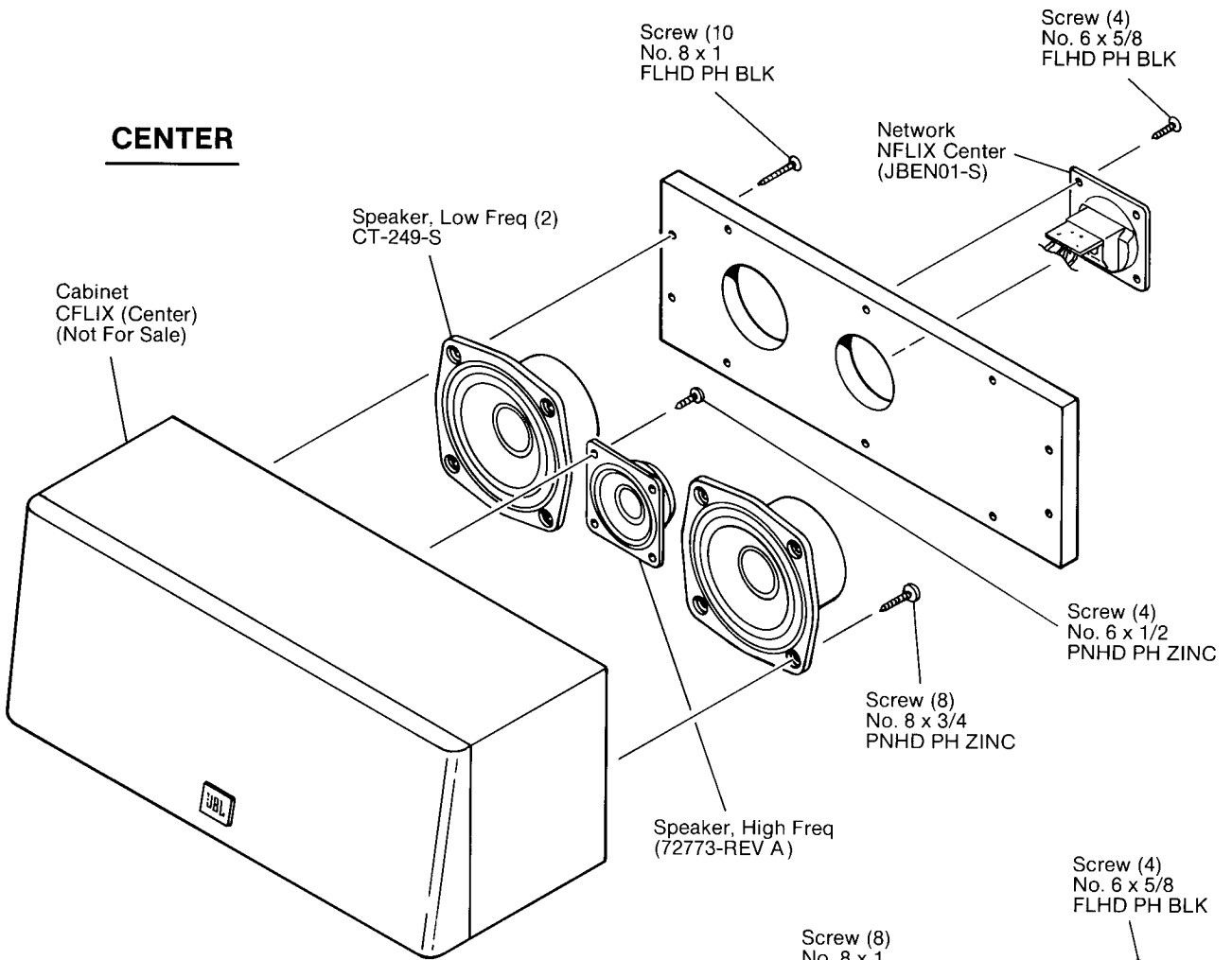


NOTE: CONE/DIAPHRAGM KIT NOT AVAILABLE. DEFECTIVE SPEAKER SHOULD BE REPLACED.

FLIX 1

COMPONENT EXPLODED VIEW

CENTER



SURROUND (2)

