

Technical Manual



JBL G125-8

SPECIFICATIONS

ACOUSTIC & ELECTRICAL SPECIFICATIONS:

- Nominal Impedance: 8 ohm
- Power Capacity: 200W
- Frequency Range: 60 Hz to 7000 Hz
- Sensitivity: 102 dB SPL*
- Crossover Frequencies: N/A

SYSTEM COMPONENTS:

- Cabinet: N/A
- Grille: N/A
- Low Frequency Transducer: 300mm (12 in.) Cone Transducer (G125-8)
- DC Resistance: 4.2 ohm \pm 10% Aluminum Wire

AURAL SWEEP TEST SPECIFICATIONS:

- L.F. Aural Sweep Test: 4.0V Input, 20 Hz to 1.2 kHz

PHYSICAL SPECIFICATIONS:

- Enclosure Dimensions: 313mm x 313mm x 146mm D (12.31 x 12.31 x 5.75 in. D)
- Net Weight: 12 lbs. (5.5 kg.)

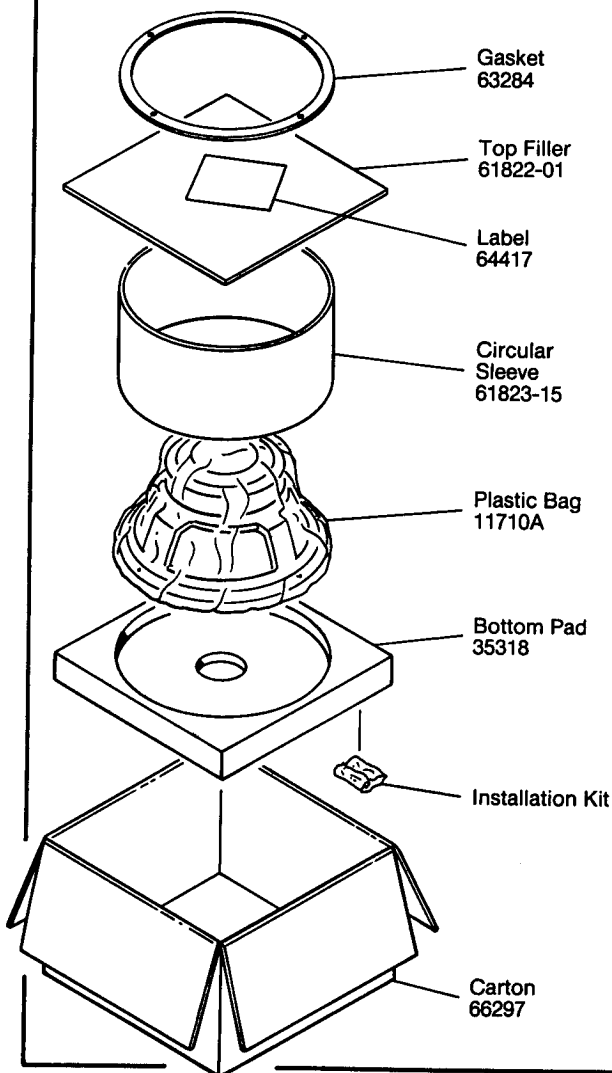
WARRANTY INFORMATION:

- Refer to the Warranty Statement packed with each product.

*1 Watt (2.83 V RMS) @ 1 Meter

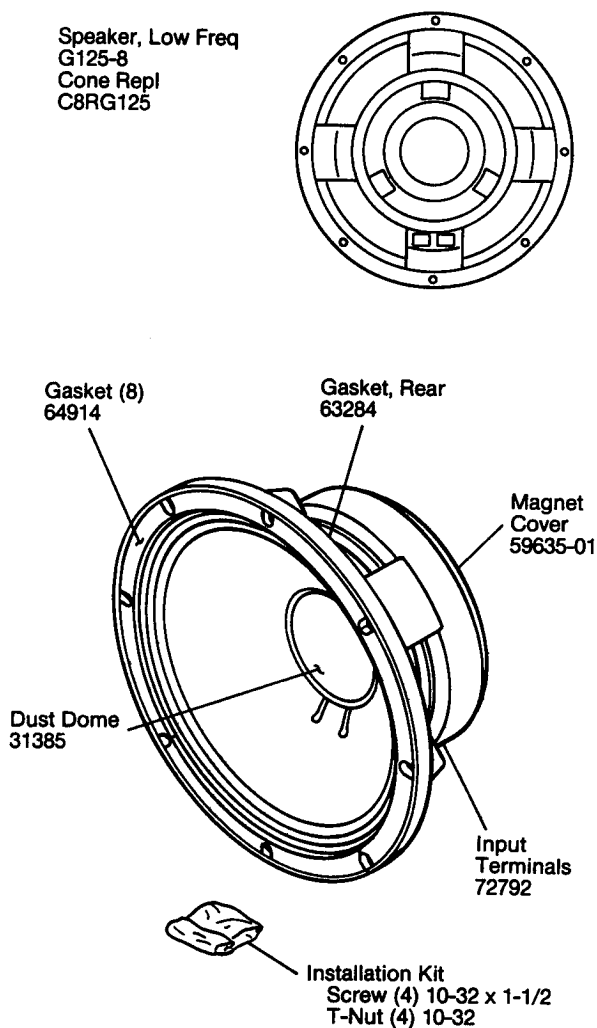
PACKAGE

Warranty 59660
Specification Sheet 67198



COMPONENT VIEW

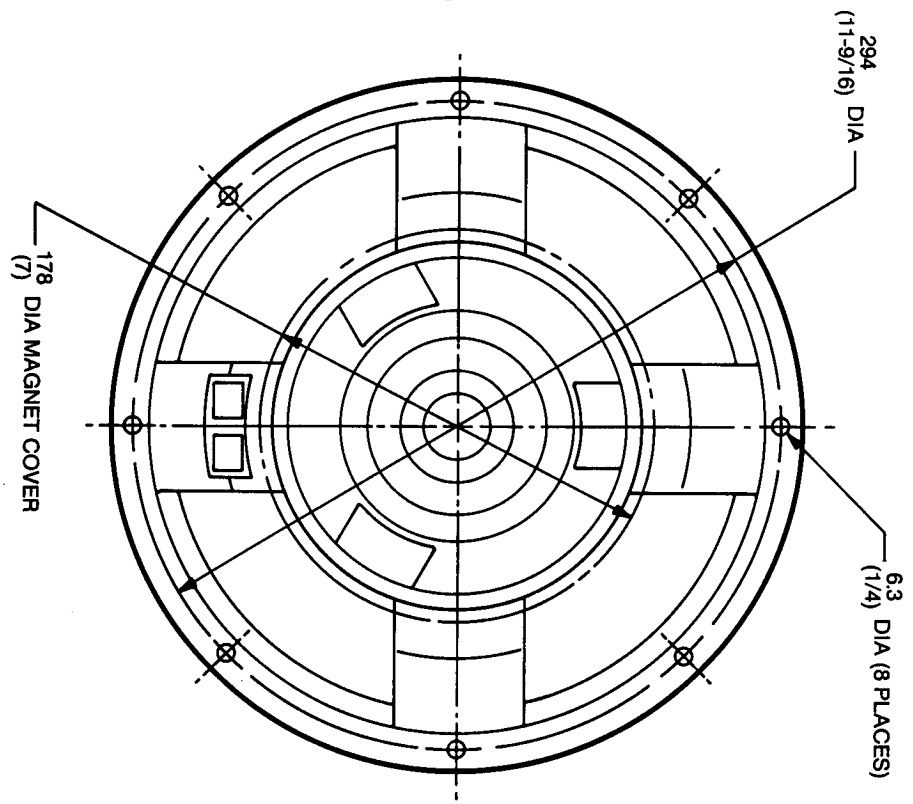
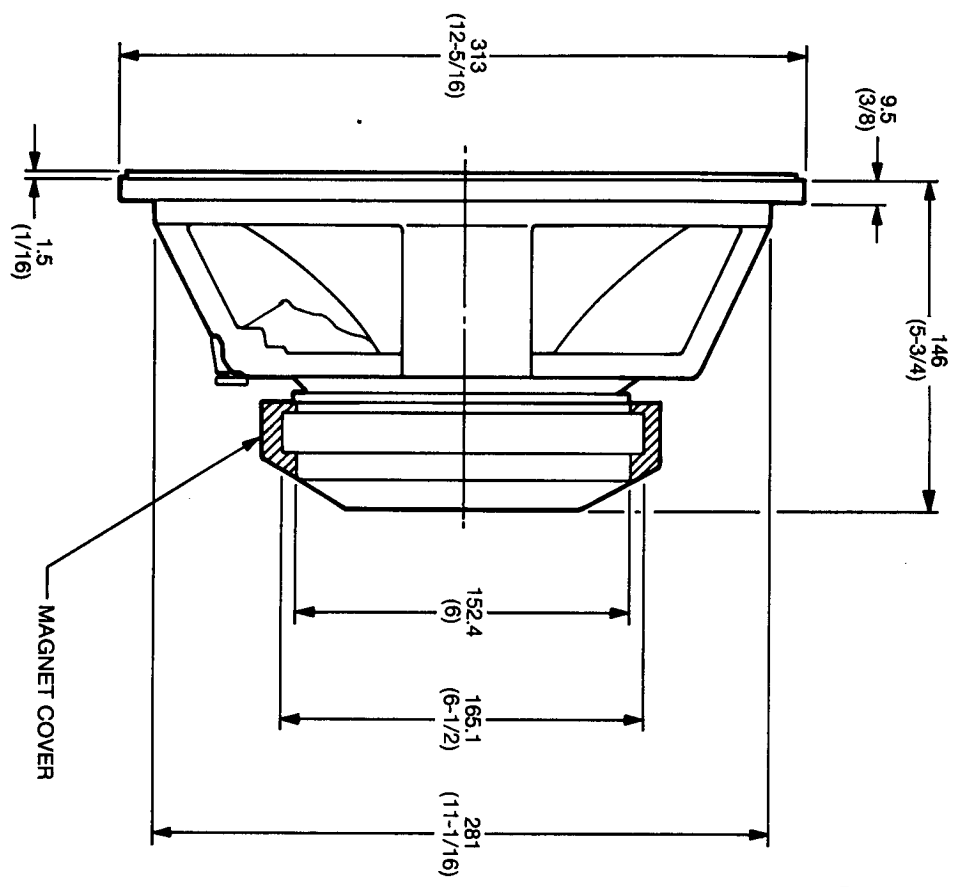
Speaker, Low Freq
G125-8
Cone Repl
C8RG125



JBL G125-8

MECHANICAL DRAWING

THESE DRAWINGS AND SPECIFICATIONS ARE THE PROPERTY OF JBL INCORPORATED. THEY ARE ISSUED IN STRICT CONFIDENCE AND SHALL NOT BE REPRODUCED, COPIED, OR USED AS THE BASIS FOR MANUFACTURE OR SALE OF APPLICABLE ITEMS WITHOUT WRITTEN PERMISSION.



MAGNET COVER

ALL DIMENSIONS ARE REF. ONLY
NOTE: DIMENSIONS IN () ARE IN INCHES

JBL G125-8