

Technical Manual



JBL G-791 PERFORMANCE SERIES

SPECIFICATIONS

ACOUSTIC & ELECTRICAL SPECIFICATIONS:

- Nominal Impedance: 8 ohm
- Power Capacity: Continuous Pink Noise: 200W
Continuous Program: 400W
- Frequency Range: 1.5 Hz to 17 kHz (-10dB)
- Sensitivity: 106 dB SPL*
- Crossover Frequencies: 1.5 kHz

SYSTEM COMPONENTS:

- Cabinet: N/A
- Grille: N/A
- High Frequency Transducer: 25mm (1 in.) Pure Titanium Compression Driver (2416H)

SYSTEM COMPONENTS: (cont'd)

- DC Resistance: 3.2 ohm \pm 8% Aluminum Wire
- Crossover Network: NG-732/791 (68582)

AURAL SWEEP TEST SPECIFICATIONS:

- A. System Aural Sweep Test: 7.0V Input, 20 Hz to 20 kHz
- B. H.F. Aural Sweep Test: 2.83V Input, 550 Hz to 1.2 kHz

PHYSICAL SPECIFICATIONS:

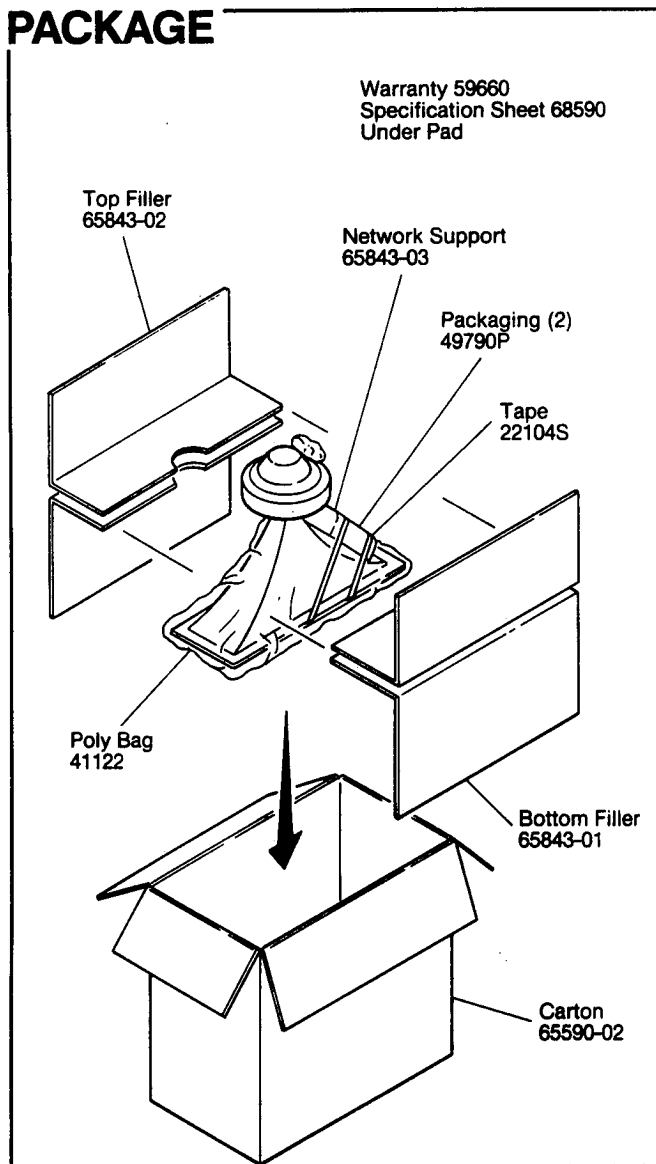
- Enclosure Dimensions: 127mm x 387mm x 248mm D
(5.0 x 14.25 x 9.75 in. D)
- Shipping Weight: 12 lbs. (5.4 kg)

WARRANTY INFORMATION:

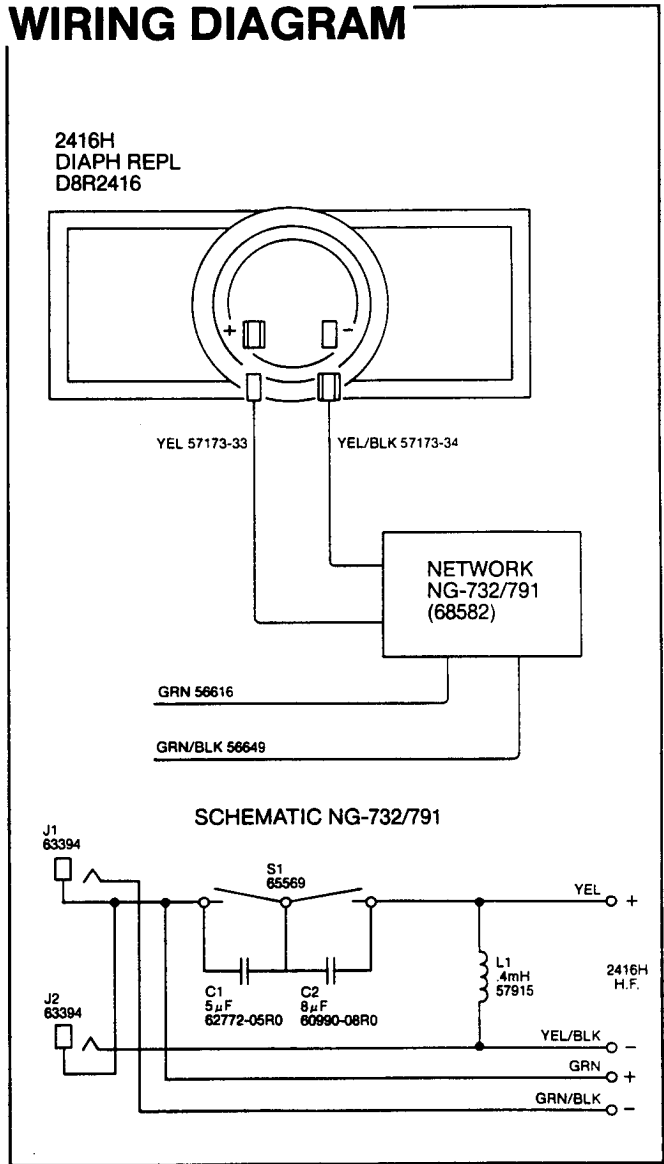
- Refer to the Warranty Statement packed with each product.

*1 Watt (2.83 V RMS) @ 1 Meter

PACKAGE



WIRING DIAGRAM



JBL G-791

COMPONENT EXPLODED VIEW

