

JBL HP520



SPECIFICATIONS

ACOUSTIC & ELECTRICAL SPECIFICATIONS:

- Nominal Impedance: 4 ohms
- Recommended Amplifier Power: 10 - 200 Watts
- Frequency Response: 34 Hz - 27 KHz
- Sensitivity: 90 dB*
- Crossover Frequencies: 120 Hz / 1200 Hz / 4000 Hz

SYSTEM COMPONENTS:

- Cabinet: 210299 Black Ash
- Grille: GHP520
- Low Frequency Transducer: 203 mm (8 Inch) 508G High Polymer Laminate

*1 Watt (2,83 V RMS) @ 1 Meter

SYSTEM COMPONENTS: (cont'd)

- Midbass Transducer: 165 mm (6,5 Inch) 406G High Polymer Laminate
- Midrange Frequency Transducer: 130 mm (5 Inch) 405G High Polymer Laminate
- High Frequency Transducer: 26 mm (1 Inch) 026TI Pure Titanium
- Crossover Network: NHP520

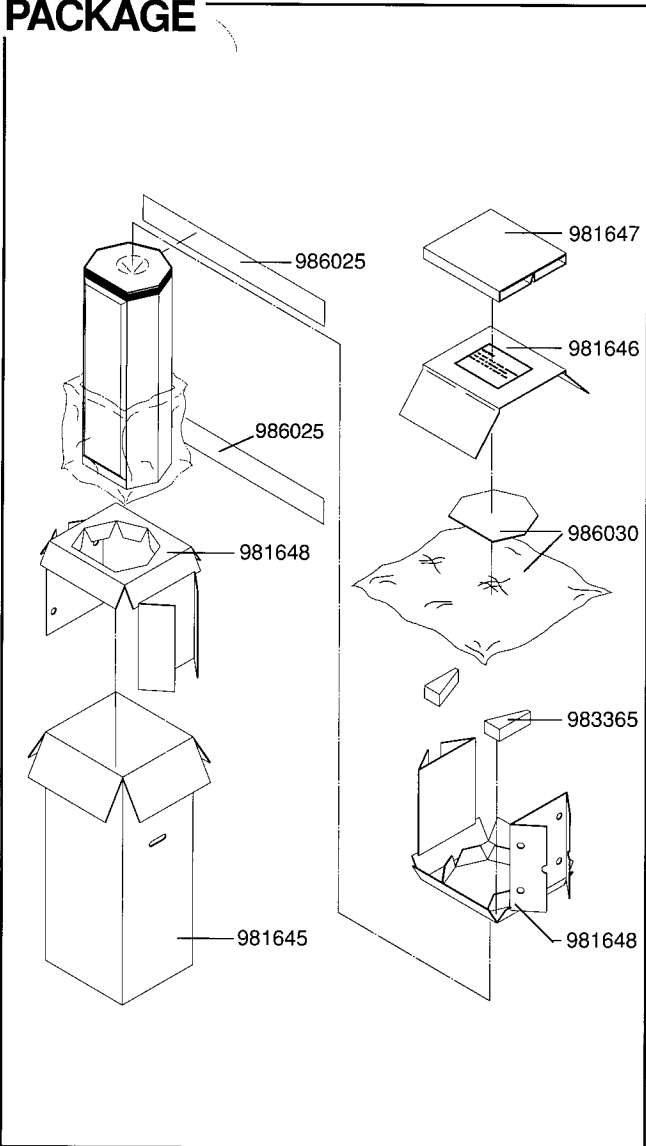
PHYSICAL SPECIFICATIONS:

- Enclosure Dimensions: 38 15/16 x 14 15/16 x 12 9/16 (D) Inch
989 x 364 x 319 (D) mm
- Weight: 55 lbs
25 Kg

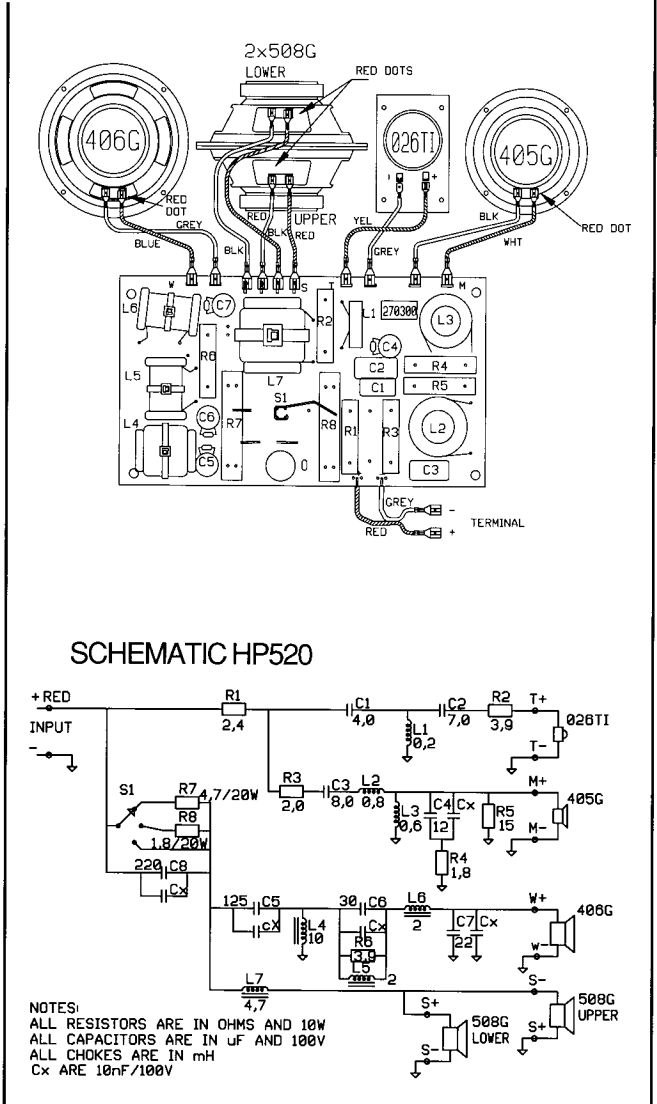
WARRANTY INFORMATION:

- Refer to the Warranty Statement packed with each product.

PACKAGE



WIRING DIAGRAM

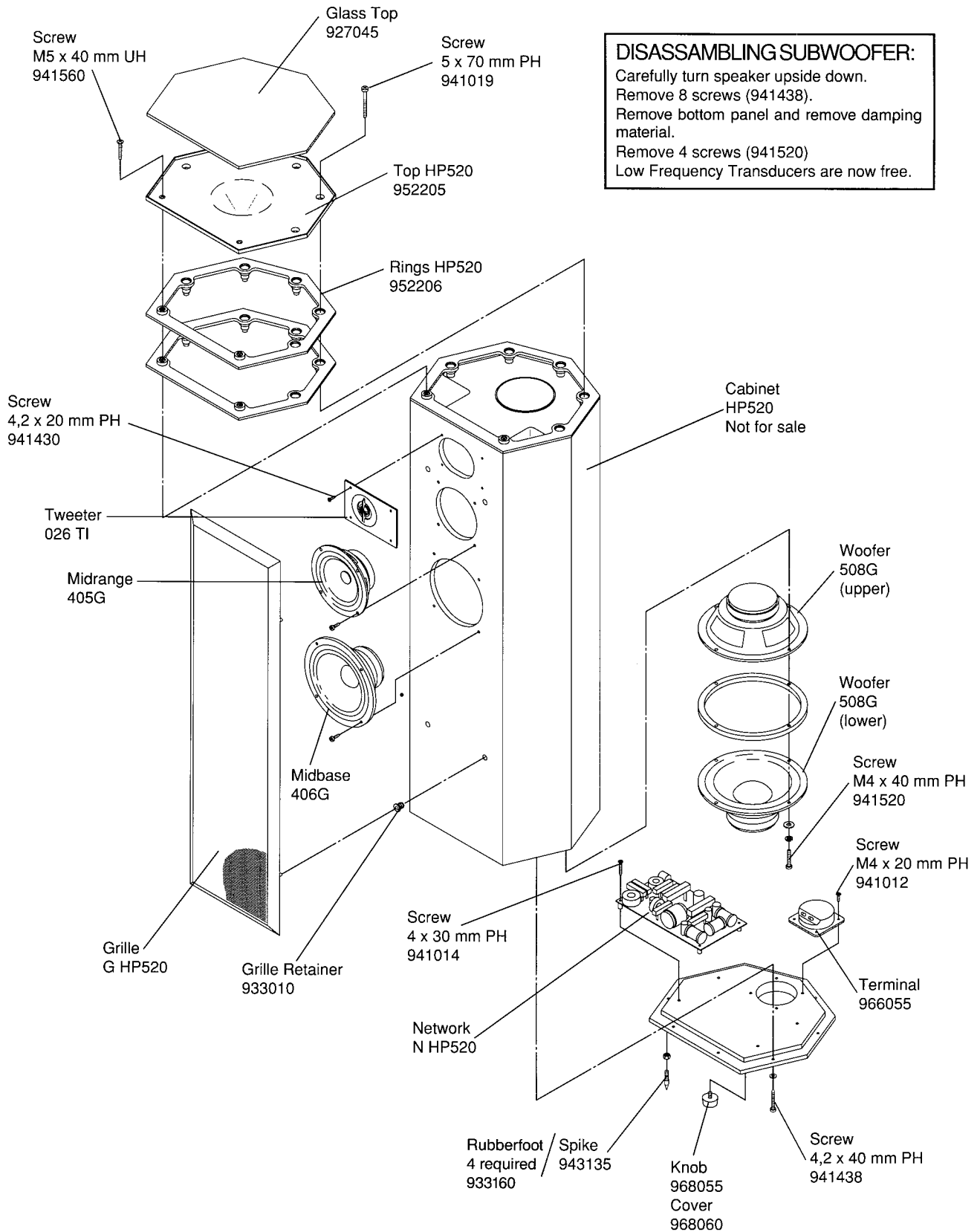


JBL HP520

DRIVER	TEST VOLTAGE	SWEEP FREQUENCY	DCR MIN-MAX.
026TI	2	2KHZ-20KHZ	3.5-4.2 OHMS
405G	4	20HZ-5KHZ	4.1-4.5 OHMS
406G	4	20HZ-1.2KHZ	5.1-6.1 OHMS
508G	4	20HZ-1KHZ	5.6-6.2 OHMS

JBL HP520

COMPONENT EXPLODED VIEW



DISASSEMBLING SUBWOOFER:
 Carefully turn speaker upside down.
 Remove 8 screws (941438).
 Remove bottom panel and remove damping material.
 Remove 4 screws (941520)
 Low Frequency Transducers are now free.