



HP-88F

SPECIFICATIONS

ACOUSTIC & ELECTRICAL SPECIFICATIONS:

- Nominal Impedance: 8 ohm
- Max Amp Power: 250W
- Frequency Range: 40 Hz – 22 kHz (-6 dB)
- Sensitivity: 93 dB SPL, 1 Watt @ 1 Meter
- Crossover Frequencies: 850 Hz, 3000Hz

SYSTEM COMPONENTS:

- Cabinet: 331009-001
- Grille: 330280-001
- Low Frequency Transducer: HP8J 330215-001
DC Resistance: 11.3 ohm ±10% Copper Wire
- Mid Range Transducer: HP5 325781-001
DC Resistance: 4.6 ohm ±10% Copper Wire
- High Frequency Transducer: Dome HP027Ti 325792-001
DC Resistance: 3.6 ohm ±10% Copper Wire

SYSTEM COMPONENTS: (cont'd)

- Crossover Network: 331012-002

AURAL SWEEP TEST SPECIFICATIONS:

- A. System Aural Sweep Test: 6.0V Input, 20 Hz to 20 kHz
- B. L.F. Aural Sweep Test: 6.0V Input, 20 Hz to 2.7 kHz
- C. M.F. Aural Sweep Test: 6.0V Input, 700 Hz to 5 kHz
- D. H.F. Aural Sweep Test: 2.83V Input, 2kHz to 20 kHz

PHYSICAL SPECIFICATIONS:

- Enclosure Dimensions: 35.25 x 11.5 x 12.5 in.D (870mm x 292mm x 318mm D)

SHIPPING WEIGHT:

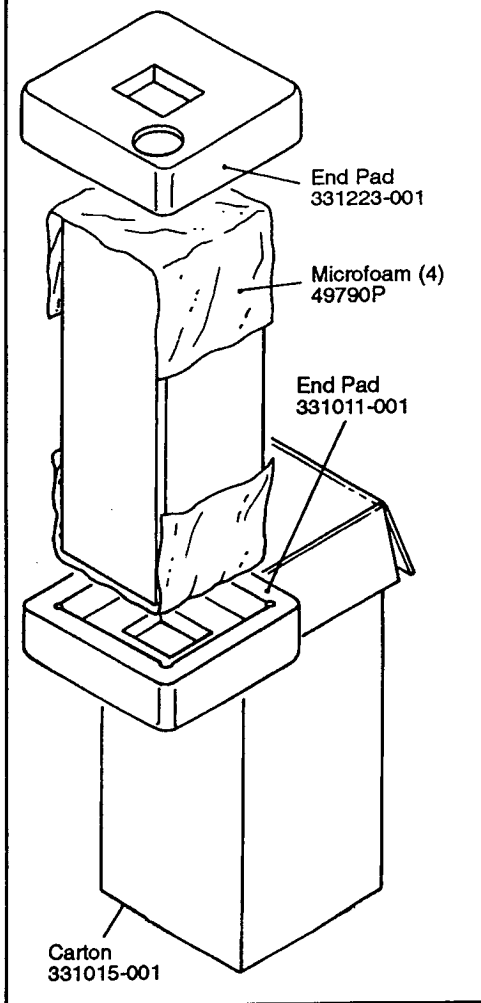
55.3 lbs. (25.1 kg.)

WARRANTY INFORMATION:

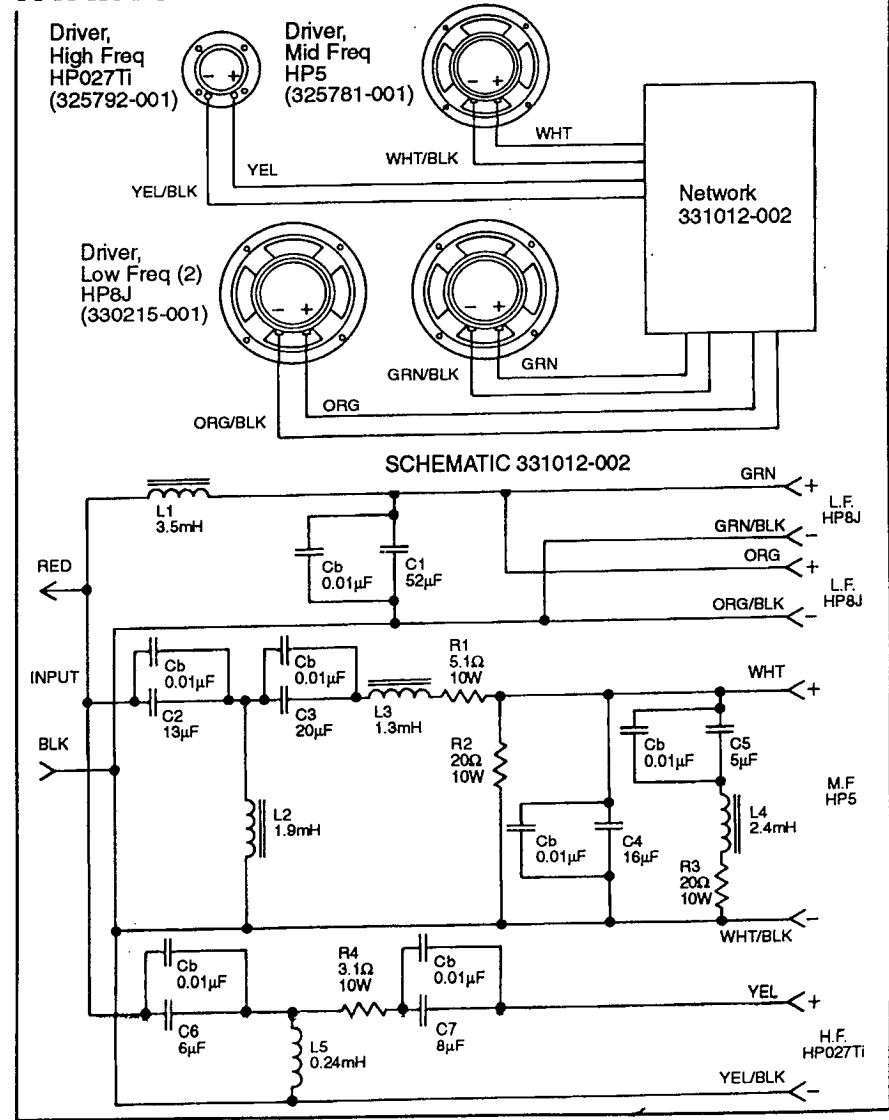
- Refer to Warranty Statement packed with each product.

PACKAGE

Warranty Card 331994-001
Owners Manual 330990-001
Survey Card 331384-001



WIRING DIAGRAM



HP-88F

HP-88F

COMPONENT EXPLODED VIEW

