

# HT1F

## SPECIFICATIONS

### ACOUSTIC & ELECTRICAL SPECIFICATIONS:

- Nominal Impedance: 8 ohm
- Recommended Amp Power: 10W to 100W
- Frequency Response: 70 Hz to 20 kHz (-6dB)
- Sensitivity: 87 dB SPL\*
- Crossover Frequency: 2.8 kHz

### SYSTEM COMPONENTS:

- Cabinet: CHT1F (Not For Sale)
- Grille: GHT1F (75718)
- Low Frequency Transducer: 305G-3A-1S 5-1/4 in. (130mm) High Polymer Laminate (75755)
- DC Resistance: 4.0 ohm ±10% Copper Wire
- High Frequency Transducer: 020Nd 1 in. (25mm) Pure Titanium Dome (73687)
- DC Resistance: 3.6 ohm ±10% Copper Wire

### SYSTEM COMPONENTS: (cont'd)

- Crossover Network: NHT1F (75729)

### AURAL SWEEP TEST SPECIFICATIONS:

- A. System Aural Sweep Test: 6.0V Input, 20 Hz to 20 kHz
- B. L.F. Aural Sweep Test: 6.0V Input, 20 Hz to 4 kHz
- C. H.F. Aural Sweep Test: 3.0V Input, 2 kHz to 20 kHz

### PHYSICAL SPECIFICATIONS:

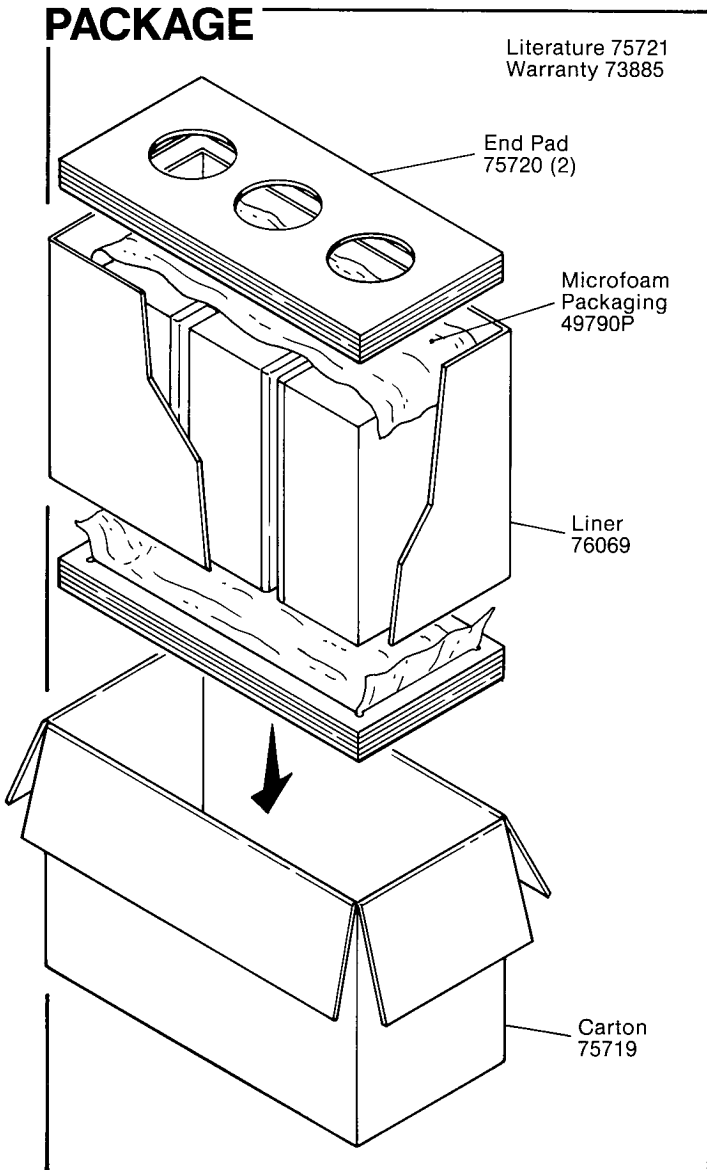
- Enclosure Dimensions: 17.5 x 10.0 x 8.5 in. D (445mm x 254mm x 216mm D)
- Shipping Weight: 73 lbs. (33.2 kg.) Three

### WARRANTY INFORMATION:

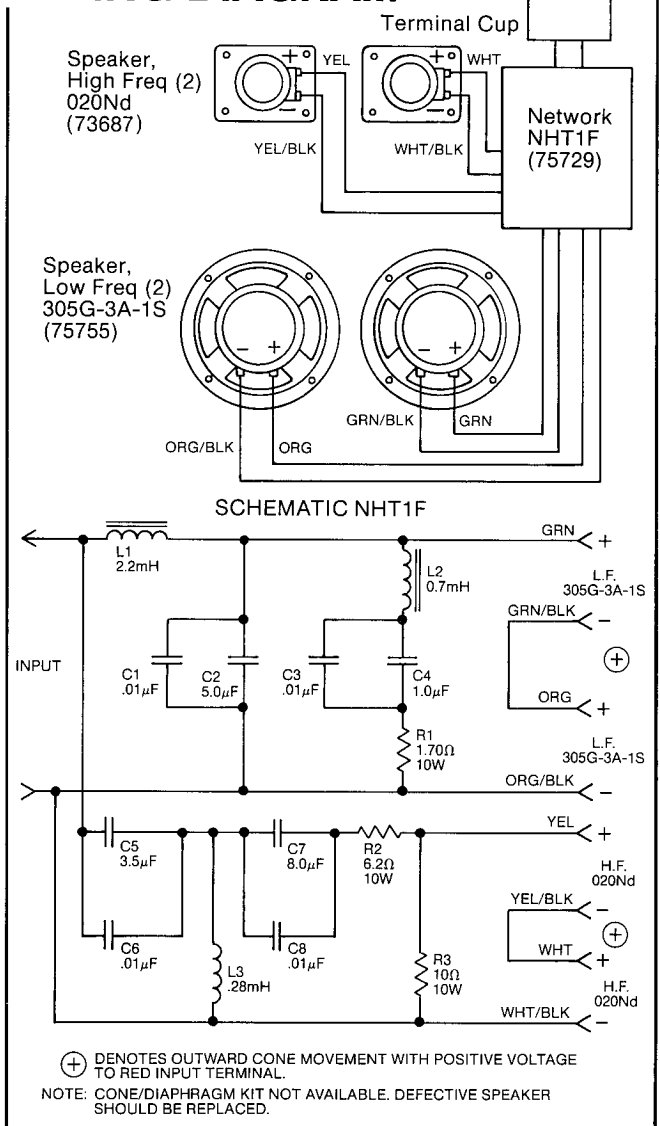
- Refer to the Warranty Statement packed with each product.

\*1 Watt @ 1 Meter

## PACKAGE



## WIRING DIAGRAM



HT1F

## COMPONENT EXPLODED VIEW

