



J2060

SPECIFICATIONS

ACOUSTIC & ELECTRICAL SPECIFICATIONS:

- Nominal Impedance: 8 ohm
- Recommended Amp Power: 10W to 100W
- Frequency Response: 45 Hz to 23 kHz (-6 dB)
- Sensitivity: 89 dB SPL*
- Crossover Frequencies: 4.5 kHz

SYSTEM COMPONENTS:

- Cabinet: CJ2060
- Grille: GJ2060
- Low Frequency Transducer: 506G 6-1/2 in. (160mm) High Polymer Laminate
- DC Resistance: 4.5 ohm \pm 10% Copper Wire

SYSTEM COMPONENTS: (cont'd)

- High Frequency Transducer: 74447 (14mm) Pure Titanium Dome Transducer
- DC Resistance: 8.0 ohm \pm 10% Copper Wire
- Crossover Network: NJ2060

AURAL SWEEP TEST SPECIFICATIONS:

- A. System Aural Sweep Test: 6.0V Input, 20 Hz to 20 kHz
- B. L.F. Aural Sweep Test: 6.0V Input, 20 Hz to 4.5 kHz
- C. H.F. Aural Sweep Test: 2.83V Input, 2 kHz to 20 kHz

PHYSICAL SPECIFICATIONS:

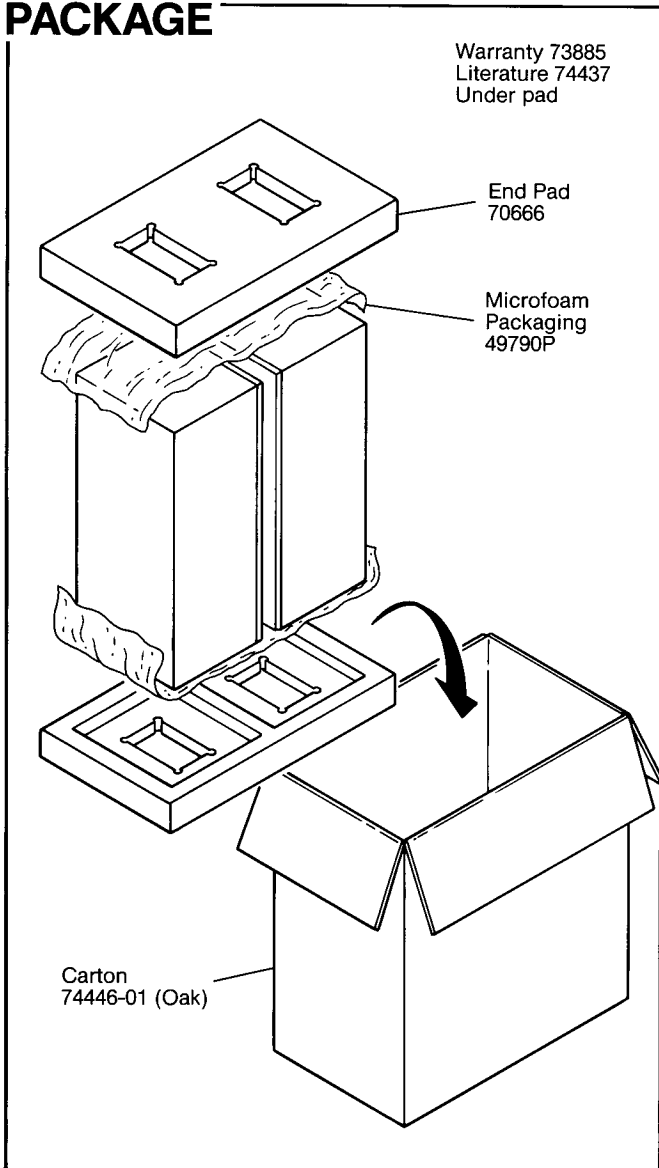
- Enclosure Dimensions: 17.0 x 9.0 x 8.5 in. D (432mm x 229mm x 216mm D)
- Shipping Weight: 12 lbs. (5.5 kg.)

WARRANTY INFORMATION:

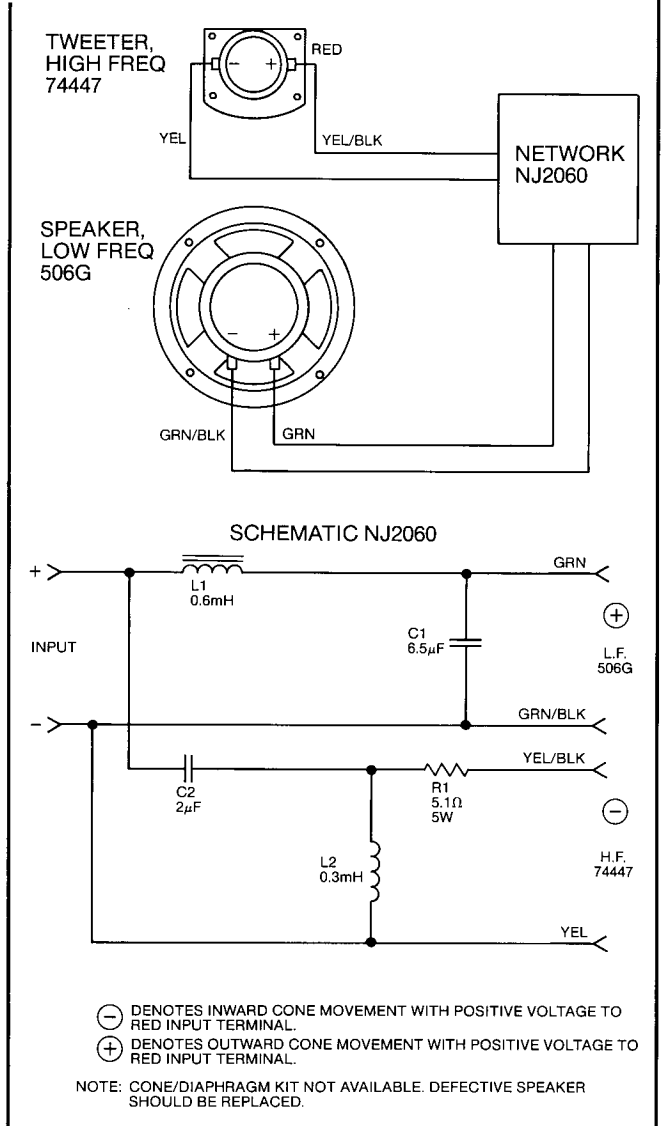
- Refer to the Warranty Statement packed with each product.

*1 Watt (2.83 V RMS) @ 1 Meter

PACKAGE



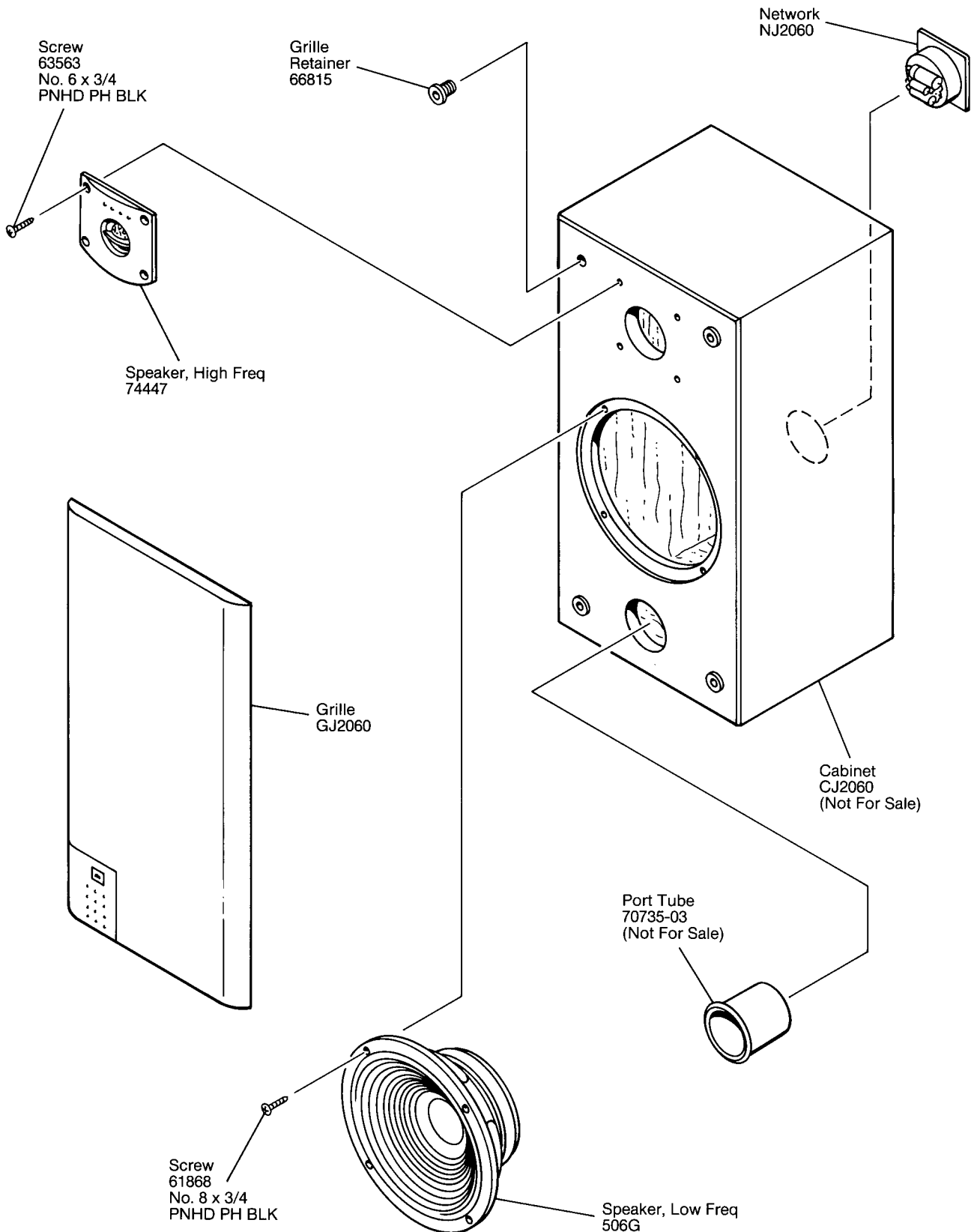
WIRING DIAGRAM



J2060

J2060

COMPONENT EXPLODED VIEW



J2060