

Technical Manual



JBL J316PRO

SPECIFICATIONS

ACOUSTIC & ELECTRICAL SPECIFICATIONS:

- Nominal Impedance: 6 ohm
- Power Capacity: 60W
- Frequency Response: 70 Hz to 20 kHz (± 3 dB)
- Sensitivity: 89 dB SPL*
- Crossover Frequencies: 2.5 kHz

SYSTEM COMPONENTS:

- Cabinet: CJ316PRO
- Grille: GJ316PRO
- Low Frequency Transducer: 160mm (6.5 in.) Polypropylene-Laminated Cone Transducer (506GS)

SYSTEM COMPONENTS: (cont'd)

- High Frequency Transducer: 25mm (1 in.) Pure Titanium Dome Transducer (020Nd)
- Crossover Network: NJ316PRO

PHYSICAL SPECIFICATIONS:

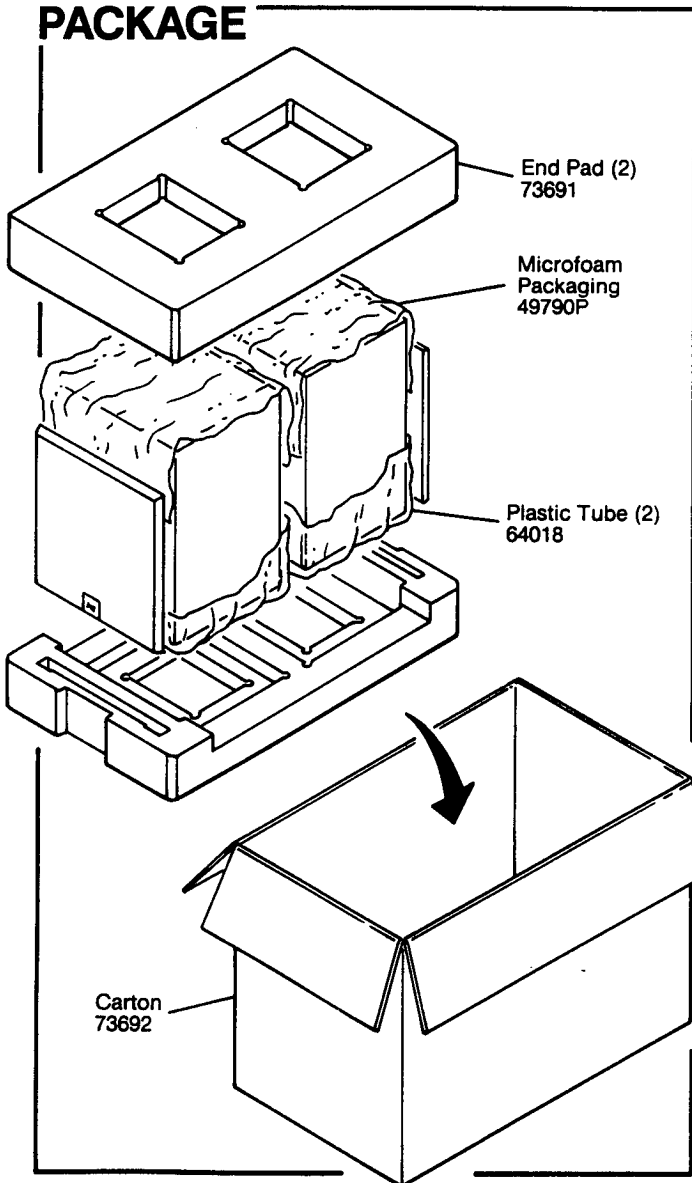
- Enclosure Dimensions: 340mm x 262mm x 250mm D (13.375 x 10.31 x 9.875 in. D)
- Shipping Weight: 37.5 lbs. (16.9 kg.) Pair

WARRANTY INFORMATION:

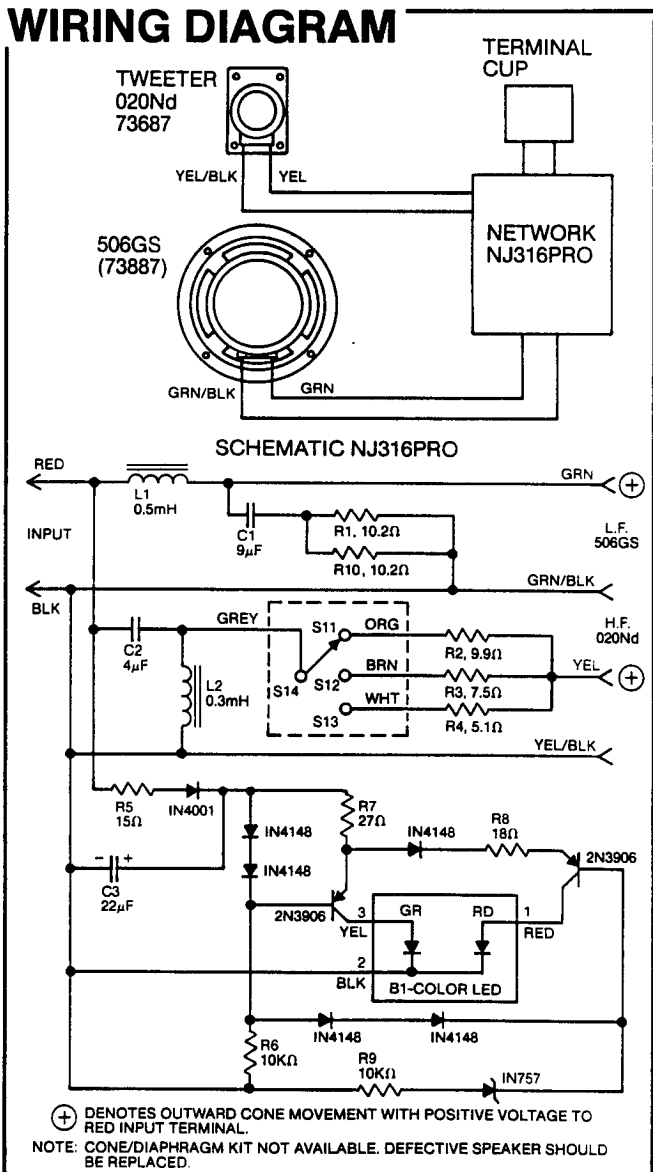
- Refer to the Warranty Statement packed with each product.

*1 Watt (2.83 V RMS) @ 1 Meter

PACKAGE



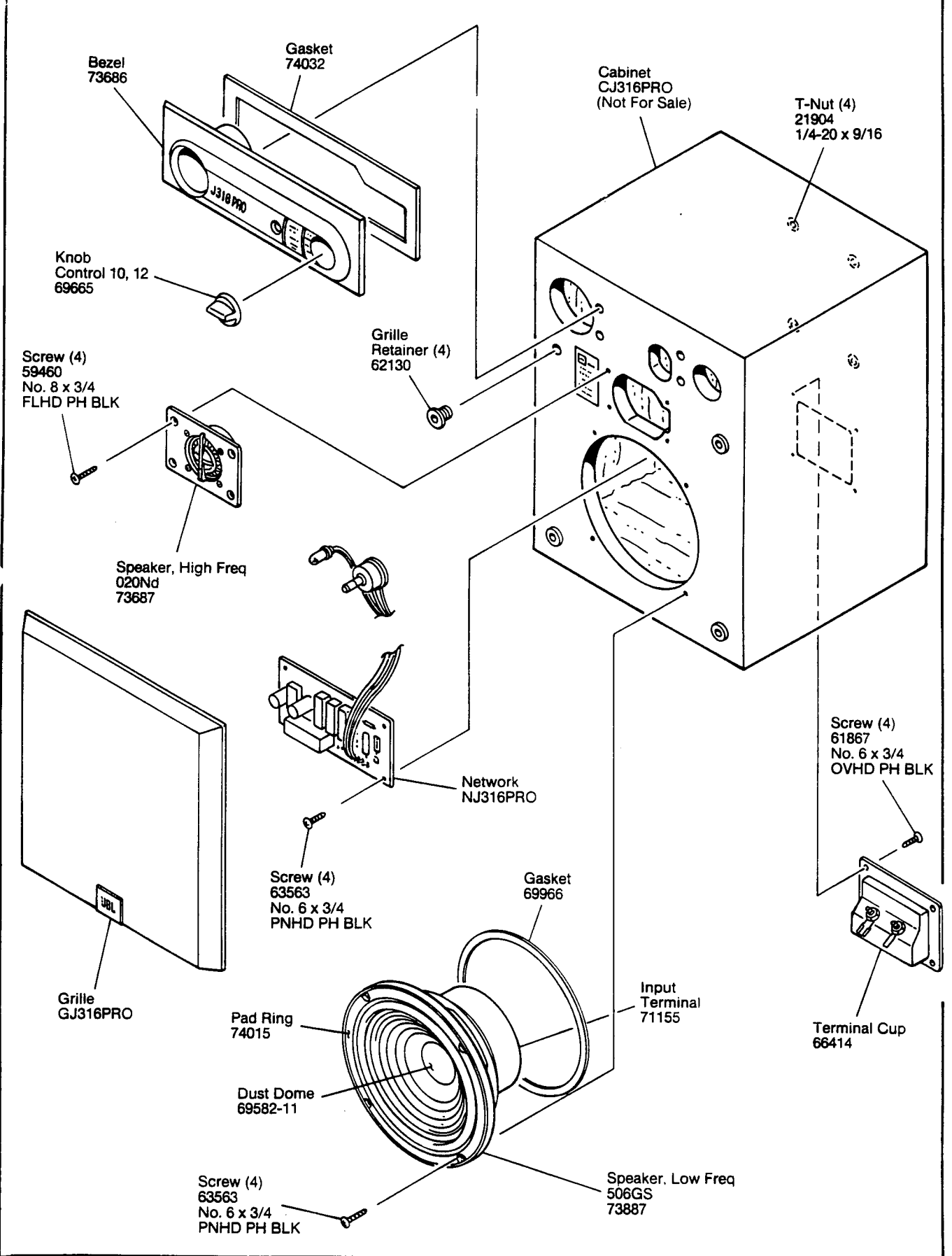
WIRING DIAGRAM



JBL J316PRO REV A

JBL J316PRO

COMPONENT EXPLODED VIEW



JBL J316PRO