

J5120

SPECIFICATIONS

ACOUSTIC & ELECTRICAL SPECIFICATIONS:

- Nominal Impedance: 6 ohm
- Recommended Amp Power: 10W to 250W
- Frequency Response: 38 Hz to 23 kHz
- Sensitivity: 92 dB SPL*
- Crossover Frequencies: 1 kHz/4kHz

SYSTEM COMPONENTS:

- Cabinet: CJ5120
- Grille: GJ5120
- Low Frequency Transducer: 512G 12 in. (300mm) High Polymer Laminate
- DC Resistance: 4.3 ohm \pm 10% Copper Wire
- Mid Range Transducer: 505G 5 in. (127mm) High Polymer Laminate
- DC Resistance: 4.5 ohm \pm 10% Copper Wire

*1 Watt @ 1 Meter

SYSTEM COMPONENTS: (cont'd)

- High Frequency Transducer: 74447 (14mm) Pure Titanium Dome Transducer
- DC Resistance: 8 ohm \pm 10% Copper Wire
- Crossover Network: NJ5120

AURAL SWEEP TEST SPECIFICATIONS:

- A. System Aural Sweep Test: 6.0V Input, 20 Hz to 20 kHz
- B. L.F. Aural Sweep Test: 6.0V Input, 20 Hz to 2 kHz
- C. M.F. Aural Sweep Test: 6.0V Input, 500 Hz to 6 kHz
- D. H.F. Aural Sweep Test: 2.83V Input, 2 kHz to 20 kHz

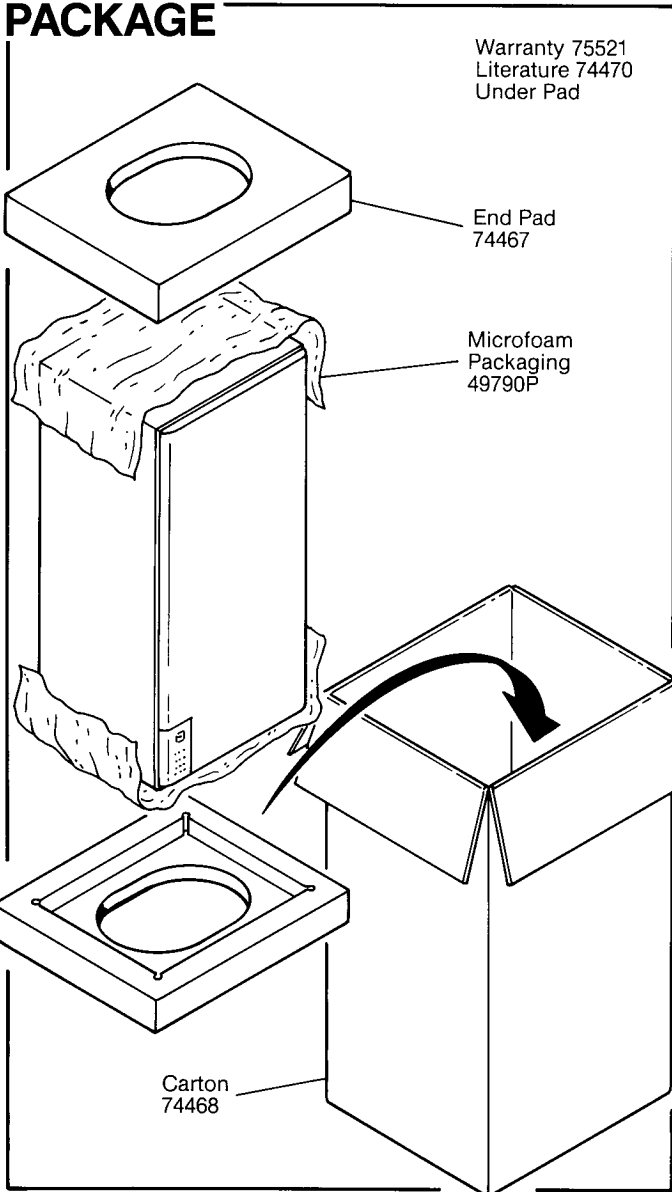
PHYSICAL SPECIFICATIONS:

- Enclosure Dimensions: 32.0 x 14.75 x 12.0 in. D (813mm x 375mm x 305mm D)
- Shipping Weight: 40 lbs. (18.2 kg)

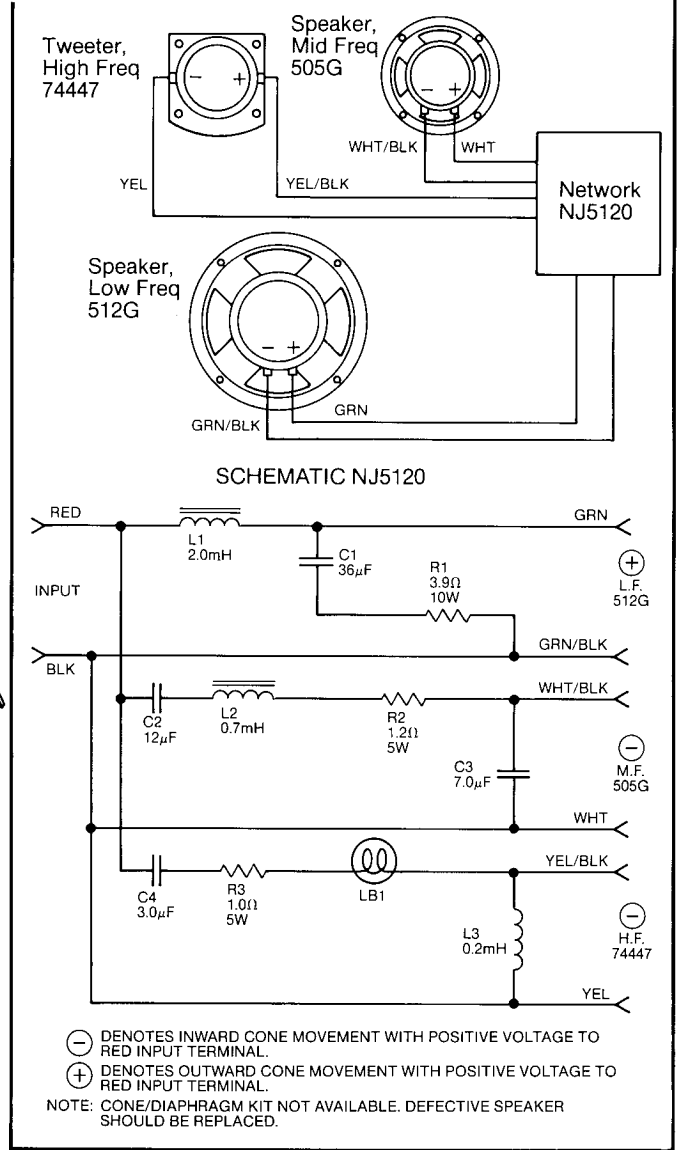
WARRANTY INFORMATION:

- Refer to the Warranty Statement packed with each product.

PACKAGE



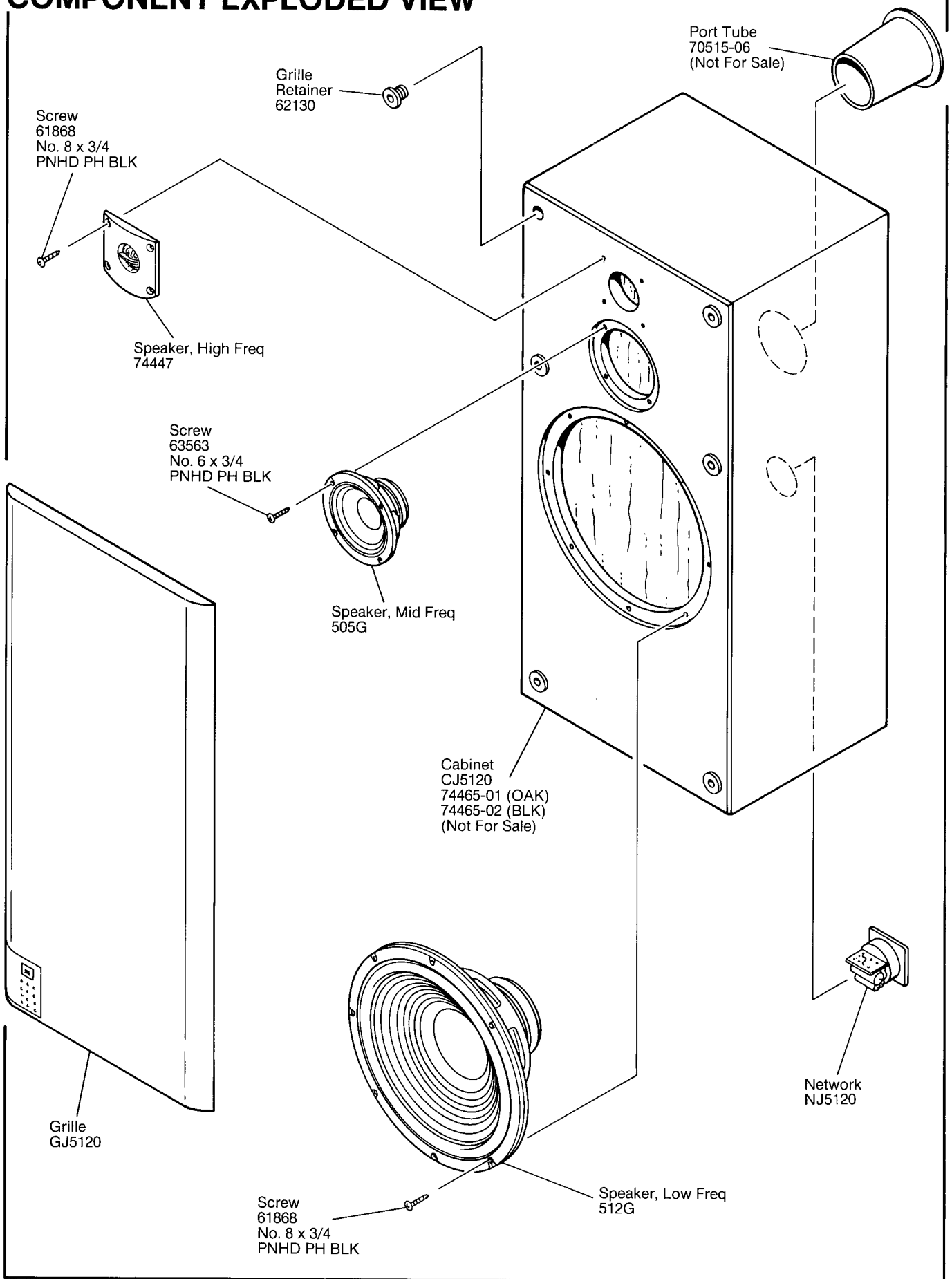
WIRING DIAGRAM



J5120

J5120

COMPONENT EXPLODED VIEW



J5120