



J830M

SPECIFICATIONS

ACOUSTIC & ELECTRICAL SPECIFICATIONS:

- Nominal Impedance: 8 ohm
- Recommended Amp Power: 10W to 150W
- Frequency Response: 45 Hz to 20 kHz (-6dB)
- Sensitivity: 92 dB SPL*
- Crossover Frequency: 3.5 kHz

SYSTEM COMPONENTS:

- Cabinet: CJ830M (Not For Sale)
- Grille: GJ830M (305346-001)
- Low Frequency Transducer: P208H 8 in. (200mm) Nitrile Polymer Fibre Cone (76478-01)
- DC Resistance: 9.2 ohm $\pm 5\%$
- Mid Range Transducer: P206H 6-1/2 in. (165mm) Nitrile Polymer Fibre Cone (76474-01)
- DC Resistance: 9.2 ohm $\pm 5\%$

*1 Watt @ 1 Meter

SYSTEM COMPONENTS: (cont'd)

- High Frequency Transducer: (14mm) Composite Dome Transducer 306572-001
- DC Resistance: 6.0 ohm $\pm 10\%$
- Crossover Network: 302167-001

AURAL SWEEP TEST SPECIFICATIONS:

- A. System Aural Sweep Test: 5.0V Input, 20 Hz to 20 kHz
- B. L.F. Aural Sweep Test: 4.0V Input, 50 Hz to 5 kHz
- C. M.F. Aural Sweep Test: 4.0V Input, 50 Hz to 5 kHz
- D. H.F. Aural Sweep Test: 2.0V Input, 1 kHz to 20 kHz

PHYSICAL SPECIFICATIONS:

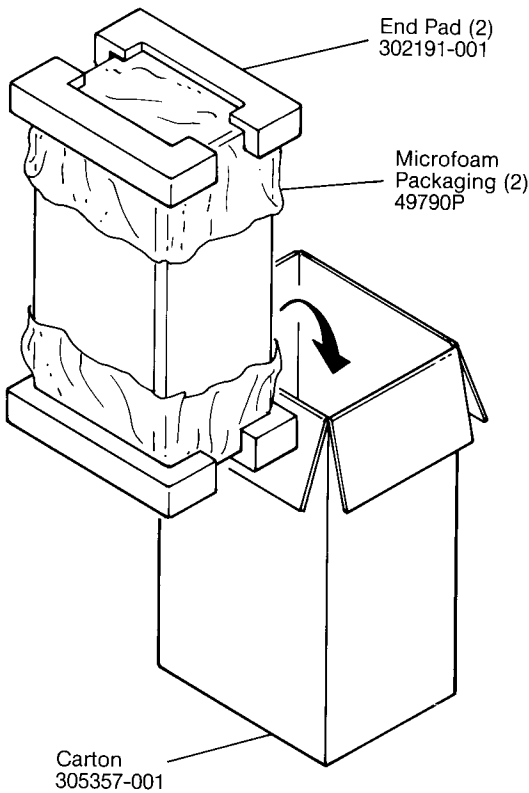
- Enclosure Dimensions: 24.0 x 10.0 x 12.0 in. D (610mm x 254mm x 305mm D)
- Shipping Weight: 27 lbs. (12.2 kg.)

WARRANTY INFORMATION:

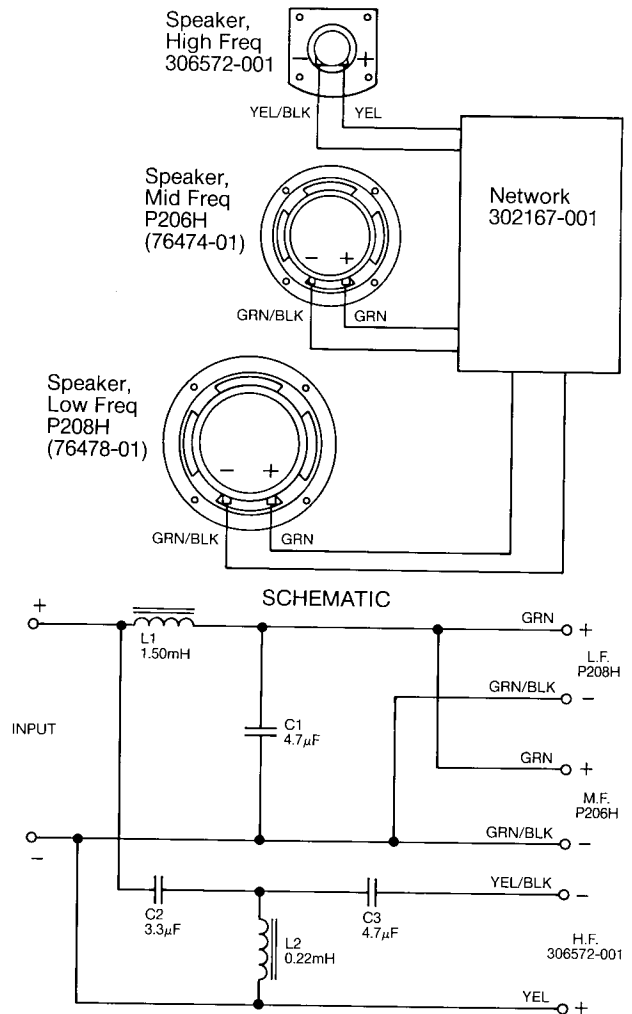
- Refer to the Warranty Statement packed with each product.

PACKAGE

Warranty Card 73885
Owner's Manual 305115-001



WIRING DIAGRAM

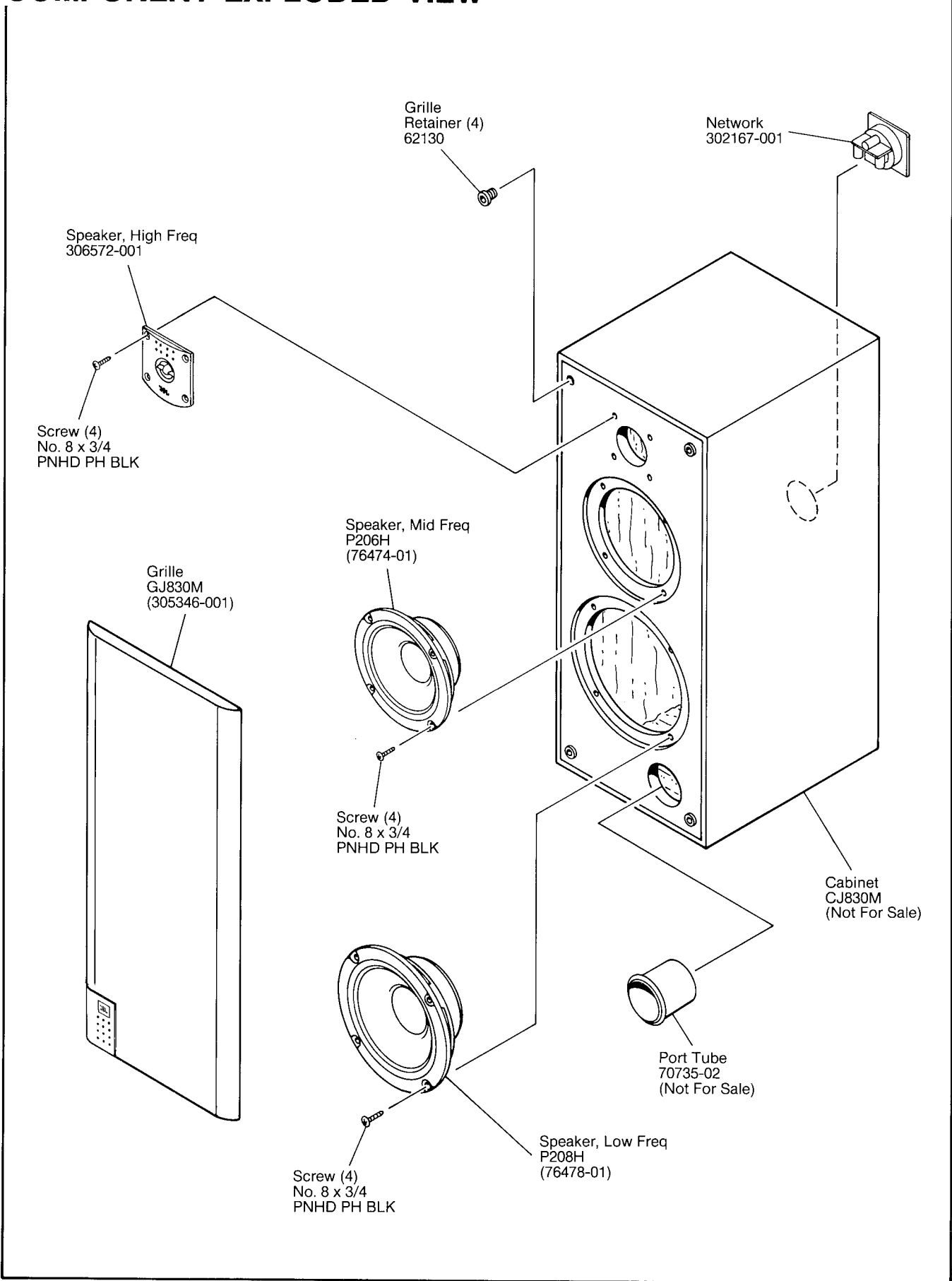


NOTE: CONE/DIAPHRAGM KIT NOT AVAILABLE. DEFECTIVE SPEAKER SHOULD BE REPLACED.

J830M

J830M

COMPONENT EXPLODED VIEW



J830M