

# J900MV

## SPECIFICATIONS

### ACOUSTIC & ELECTRICAL SPECIFICATIONS:

- Nominal Impedance: 8 ohm
- Recommended Amp Power: 10W to 150W
- Frequency Response: 42 Hz to 20 kHz (-6dB)
- Sensitivity: 92 dB SPL\*
- Crossover Frequency: 3.5 kHz

### SYSTEM COMPONENTS:

- Cabinet: CJ900MV (Not For Sale)
- Grille: GJ900MV (305423-001)
- Low Frequency Transducer: P208HS 8 in. (200mm) Nitrile Polymer Fibre Cone (76478-02)
- DC Resistance: 9.2 ohm  $\pm$ 5%
- Mid Range Transducer: P206HS 6-1/2 in. (165mm) Nitrile Polymer Fibre Cone (76474-02)
- DC Resistance: 9.2 ohm  $\pm$ 5%

\*1 Watt @ 1 Meter

### SYSTEM COMPONENTS: (cont'd)

- High Frequency Transducer: (14mm) Composite Dome Transducer 306572-001
- DC Resistance: 6.0 ohm  $\pm$ 10%
- Crossover Network: 302167-001

### AURAL SWEEP TEST SPECIFICATIONS:

- A. System Aural Sweep Test: 5.0V Input, 20 Hz to 20 kHz
- B. L.F. Aural Sweep Test: 4.0V Input, 50 Hz to 5 kHz
- C. M.F. Aural Sweep Test: 4.0V Input, 50 Hz to 5 kHz
- D. H.F. Aural Sweep Test: 2.0V Input, 1 kHz to 20 kHz

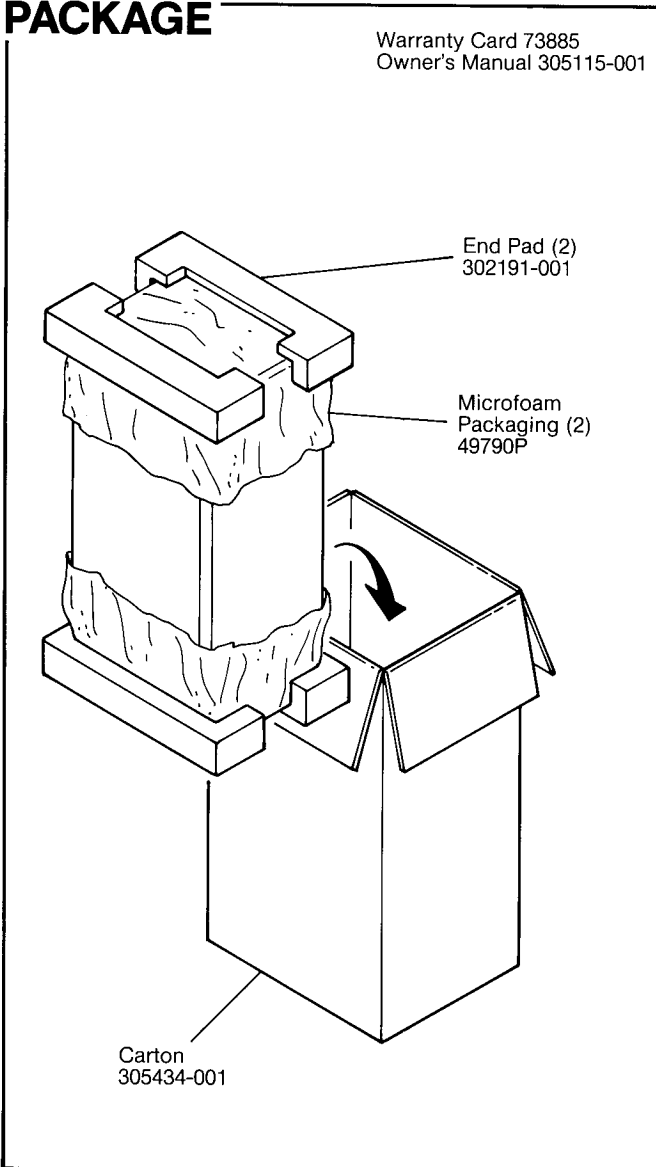
### PHYSICAL SPECIFICATIONS:

- Enclosure Dimensions: 32.14 x 10.0 x 12.0 in. D (818mm x 254mm x 305mm D)
- Shipping Weight: 38 lbs. (17.2 kg.)

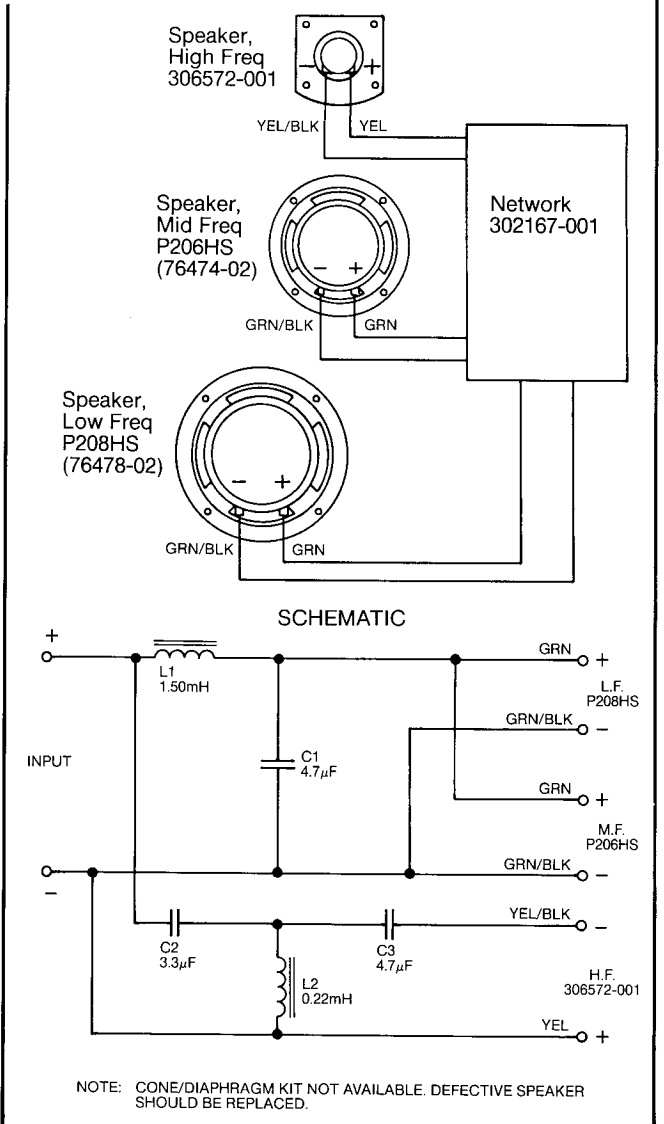
### WARRANTY INFORMATION:

- Refer to the Warranty Statement packed with each product.

## PACKAGE



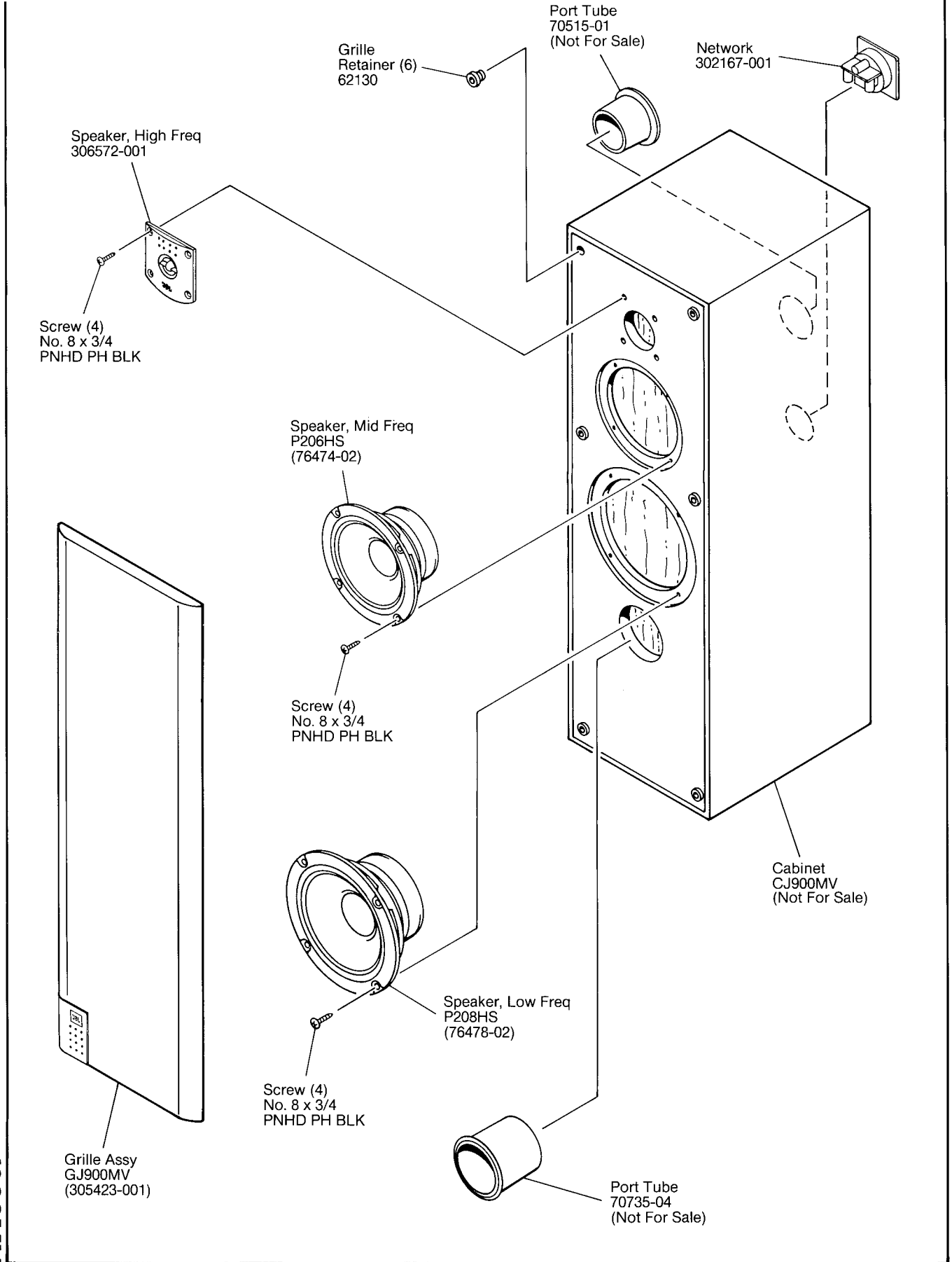
## WIRING DIAGRAM



J900MV

# J900MV

## COMPONENT EXPLODED VIEW



J900MV