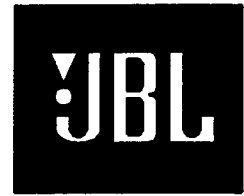


# L-Center



## SPECIFICATIONS

### ACOUSTIC & ELECTRICAL SPECIFICATIONS:

- \* Nominal Impedance: 5 ohm
- \* Recommended Amp Power: 50-150W
- \* Frequency Response: 110 Hz - 20 kHz ( $\pm 2$ dB)
- \* Sensitivity: 90 dB / 2,83V / 1 m
- \* Crossover frequency: 2,5 kHz

### SYSTEM COMPONENTS:

- \* Cabinet: CL-Center (Not for sale)
- \* Grille: GL-Center (240727)
- \* Woofer: 705GS 130mm Woofer  
30mm voice coil
- DC Resistance: 4,4 ohm

### SYSTEM COMPONENTS: (cont'd)

- \* Tweeter: 050TI-L-S 25mm  
Titanium Dome Tweeter
- DC Resistance: 3,8 ohm
- \* Crossover Network: NL-Center (270727)

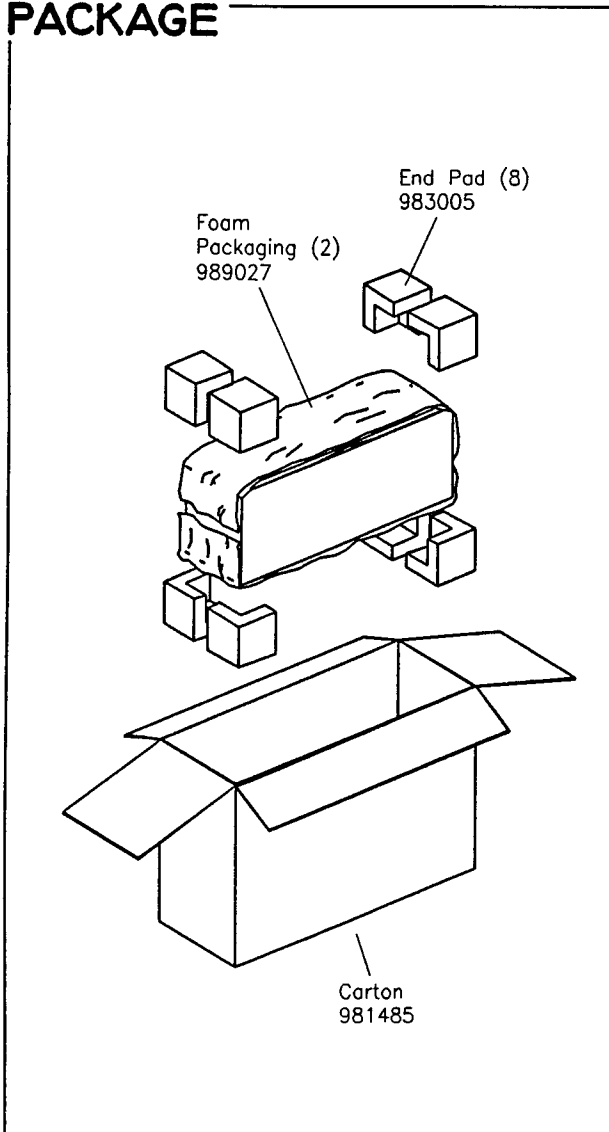
### PHYSICAL SPECIFICATIONS:

- \* Enclosure Dimensions (H.W.D.): 6,3x20,3x9,2 In. D  
(160x516x233mm D)
- \* Shipping Weight: 22 lbs. (10 kg.)

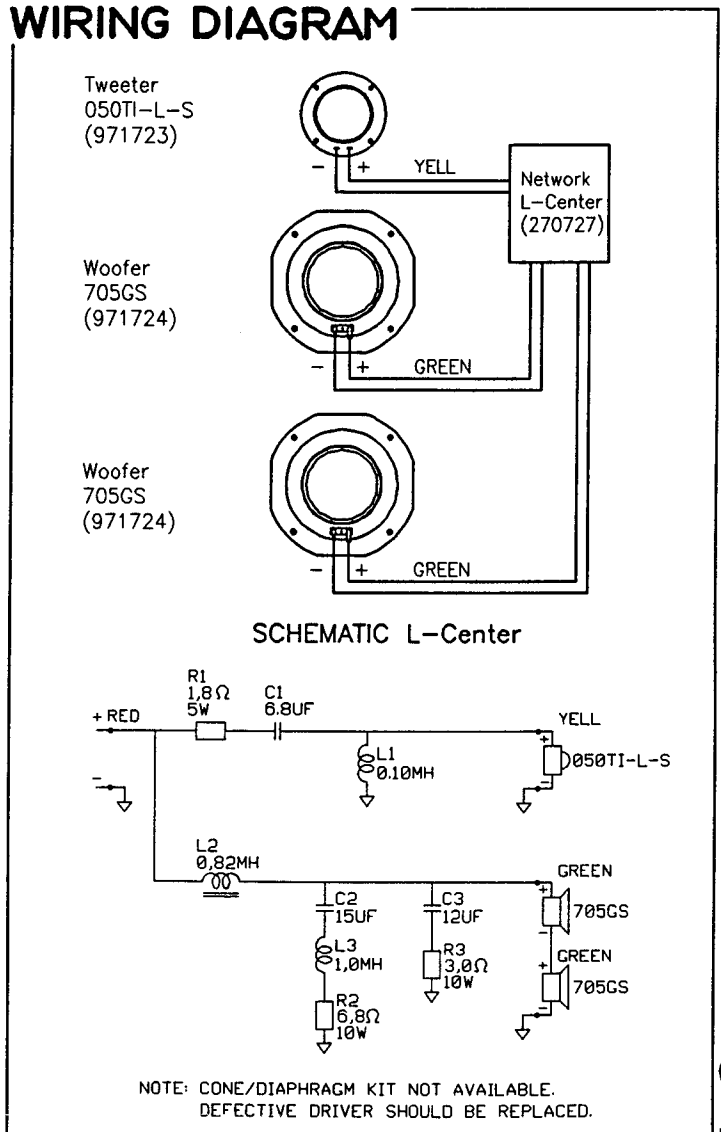
### WARRANTY INFORMATION:

- \* Refer to the Warranty Statement packed with each product

## PACKAGE



## WIRING DIAGRAM



L-Center

# L-Center

## COMPONENT EXPLODED VIEW

