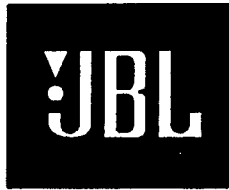


# L20



## SPECIFICATIONS

### ACOUSTIC & ELECTRICAL SPECIFICATIONS:

- \* Nominal Impedance: 4 ohm
- \* Recommended Amp Power: 50-150W
- \* Frequency Response: 65 Hz - 20 kHz ( $\pm 2$ dB)
- \* Sensitivity: 86 dB / 2,83V / 1 m
- \* Crossover frequency: 2,5 kHz

### SYSTEM COMPONENTS:

- \* Cabinet: CL20 (Not for sale)
- \* Grille: GL20 (240730)
- \* Woofer: 706G 165mm Woofer  
37mm voice coil
- DC Resistance: 3,8 ohm

### SYSTEM COMPONENTS: (cont'd)

- \* Tweeter: 050TI 25mm  
Titanium Dome Tweeter
- DC Resistance: 3,8 ohm
- \* Crossover Network: NL20 (270732)

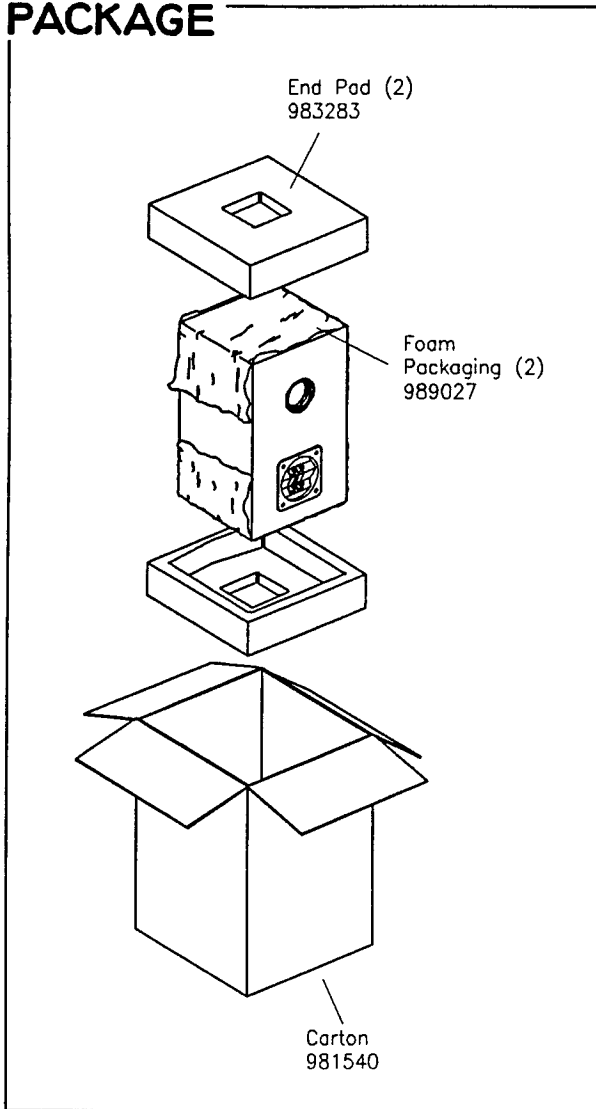
### PHYSICAL SPECIFICATIONS:

- \* Enclosure Dimensions (H.W.D): 16,5x10-2/8x11 In. D  
(420x260x280mm D)
- \* Shipping Weight: 26 lbs. (12 kg.)

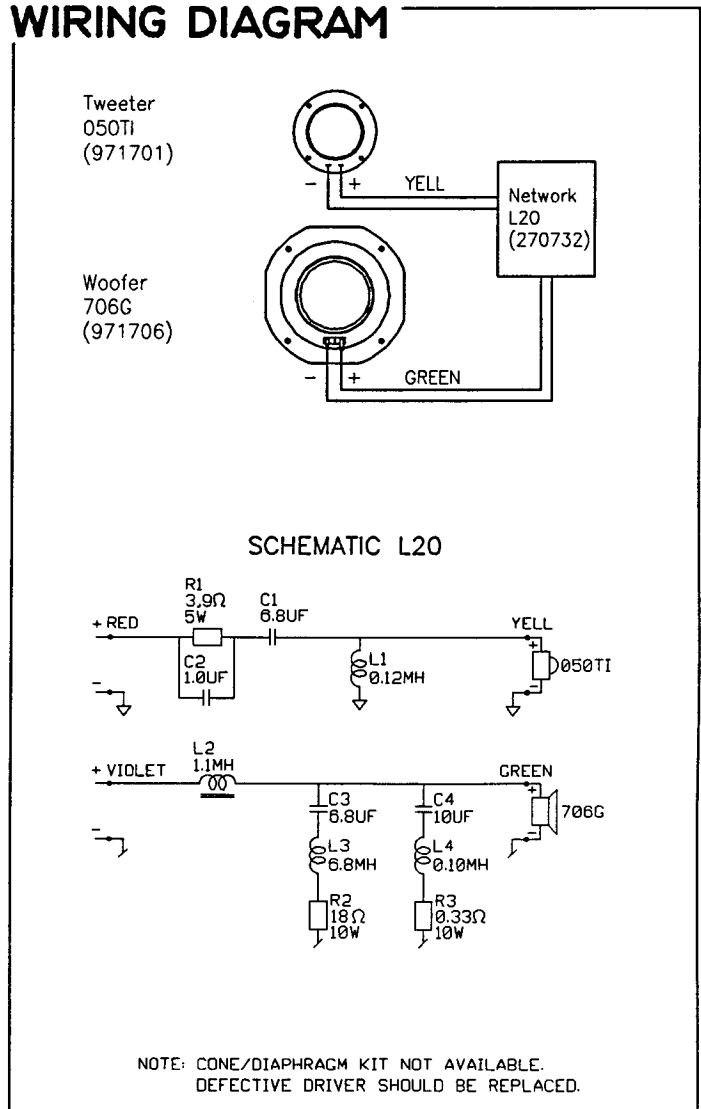
### WARRANTY INFORMATION:

- \* Refer to the Warranty Statement packed with each product

## PACKAGE



## WIRING DIAGRAM



**L20**

## COMPONENT EXPLODED VIEW

