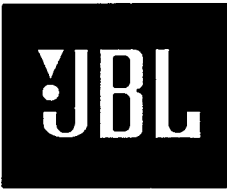


L2000



SPECIFICATIONS

ACOUSTIC & ELECTRICAL SPECIFICATIONS:

- * Nominal Impedance: 4 ohm
- * Recommended Amp Power: 50-150W
- * Frequency Response: 65 Hz - 20 kHz (± 2 dB)
- * Sensitivity: 86 dB / 2,83V / 1 m
- * Crossover frequency: 2,5 kHz

SYSTEM COMPONENTS:

- * Cabinet: CL2000 (Not for sale)
- * Grille: GL2000 (2407300)
- * Woofer: 706G 165mm Woofer
37mm voice coil
- DC Resistance: 3,8 ohm

SYSTEM COMPONENTS: (cont'd)

- * Tweeter: 050TI 25mm
Titanium Dome Tweeter
- DC Resistance: 3,8 ohm
- * Crossover Network: NL2000 (2707320)

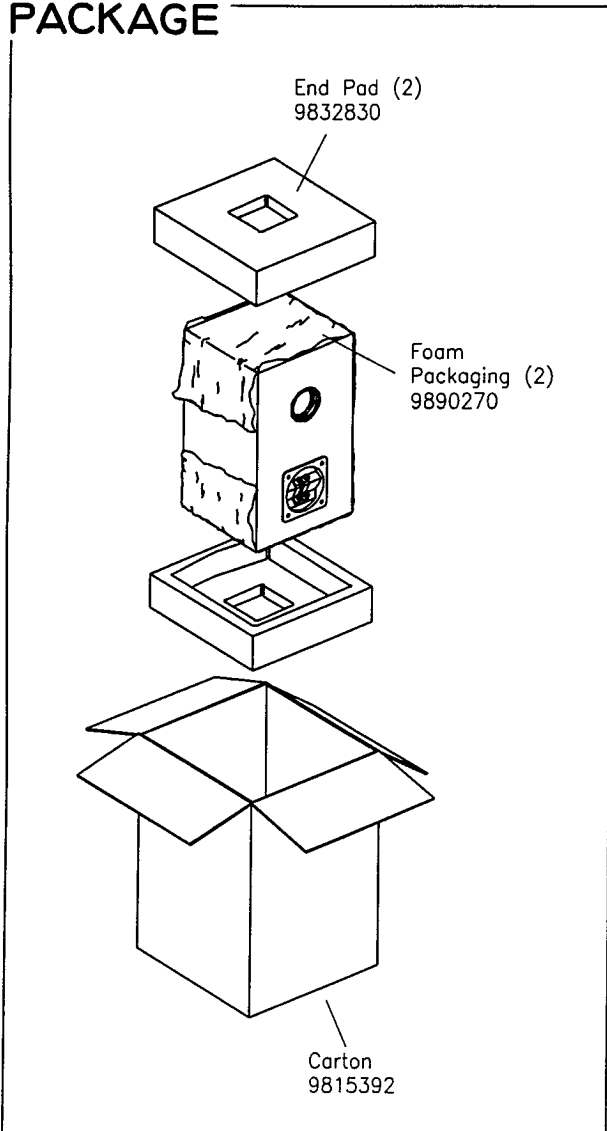
PHYSICAL SPECIFICATIONS:

- * Enclosure Dimensions (H.W.D): 16,5x10-2/8x11 In. D
(420x260x280mm D)
- * Shipping Weight: 26 lbs. (12 kg.)

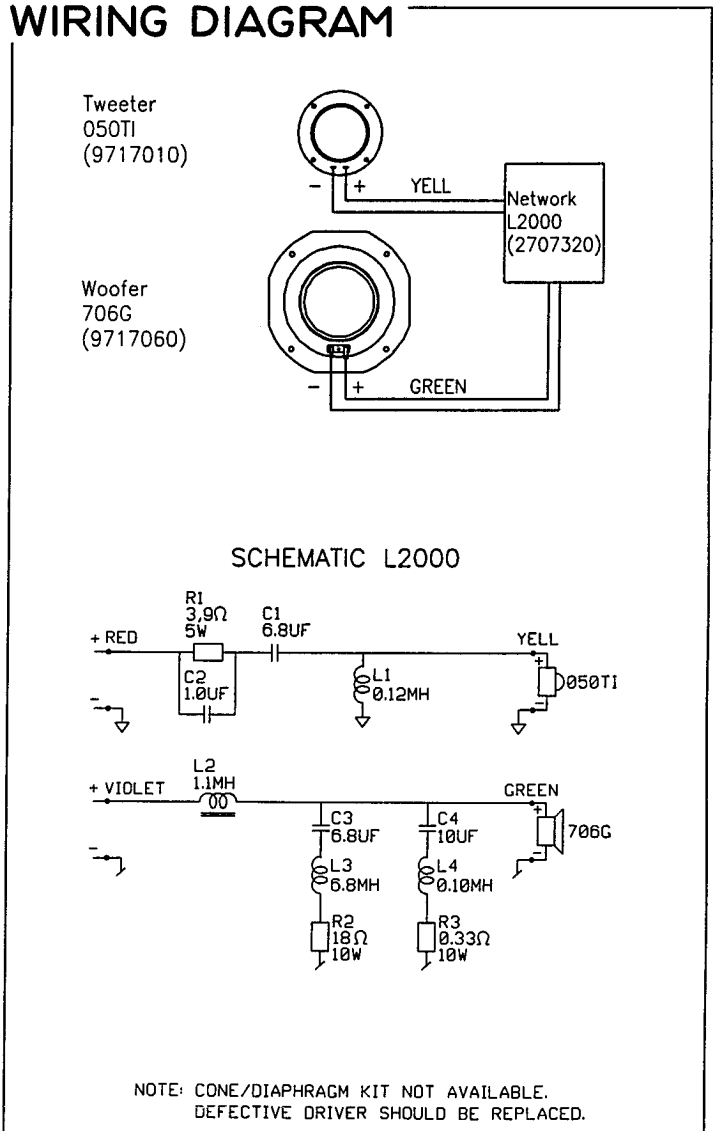
WARRANTY INFORMATION:

- * Refer to the Warranty Statement packed with each product

PACKAGE



WIRING DIAGRAM



L2000

Valid from serial no. 01001
Rev 28/3-1996

L2000

COMPONENT EXPLODED VIEW

