

JBL L200t3

SPECIFICATIONS

ACOUSTIC & ELECTRICAL SPECIFICATIONS:

- Nominal Impedance: 8 ohm
- Max Recommended Amplifier Power: 200W
- Frequency Response: 42 Hz to 20 kHz ± 6 dB
- Sensitivity: 93 dB SPL*
- Crossover Frequencies: 1.2 kHz

SYSTEM COMPONENTS:

- Cabinet: CL200t3 (Not For Sale)
- Grille: GL200t3
- Low Frequency Transducer: 120T3 (12 in.) 300mm Paper Cone Transducer

SYSTEM COMPONENTS: (cont'd)

- High Frequency Transducer: 2416H (1 in.) 25mm Pure Titanium Compression Driver
- Crossover Network: NL200t3

PHYSICAL SPECIFICATIONS:

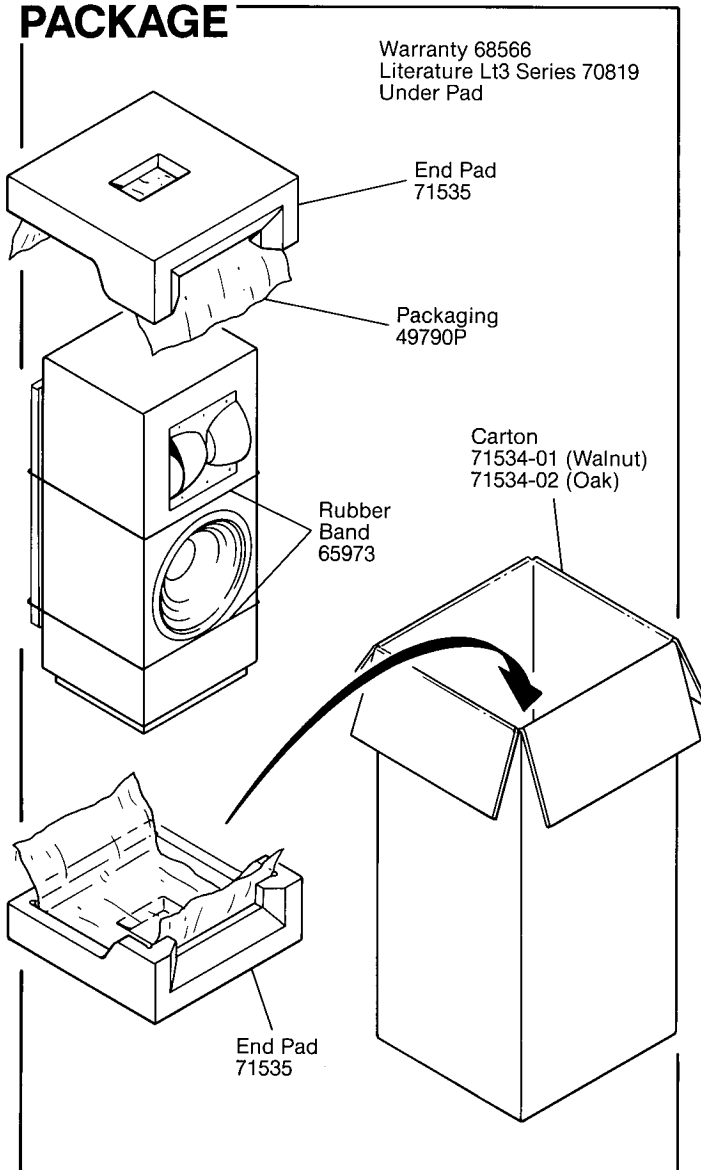
- Enclosure Dimensions: 921mm x 368mm x 394mm D (36.25 x 14.5 x 15.5 in. D)
- Shipping Weight: 64 lbs. (29 kg) Each

WARRANTY INFORMATION:

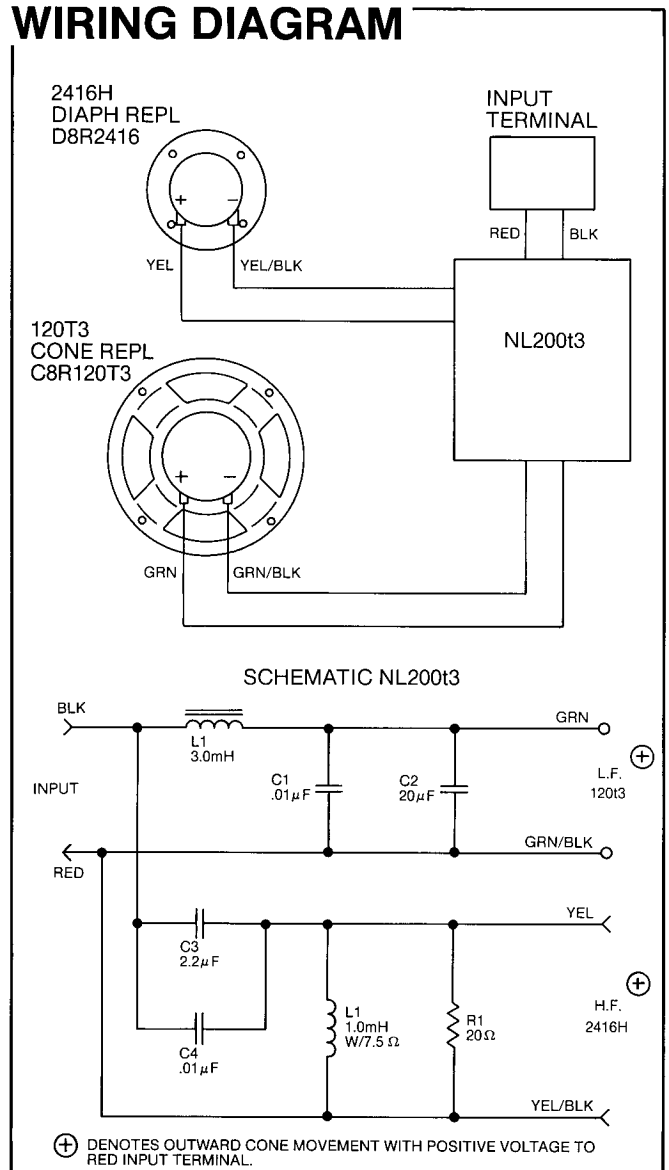
- Refer to the Warranty Statement packed with each product.

*1 Watt (2.83 V RMS) @ 1 Meter

PACKAGE



WIRING DIAGRAM

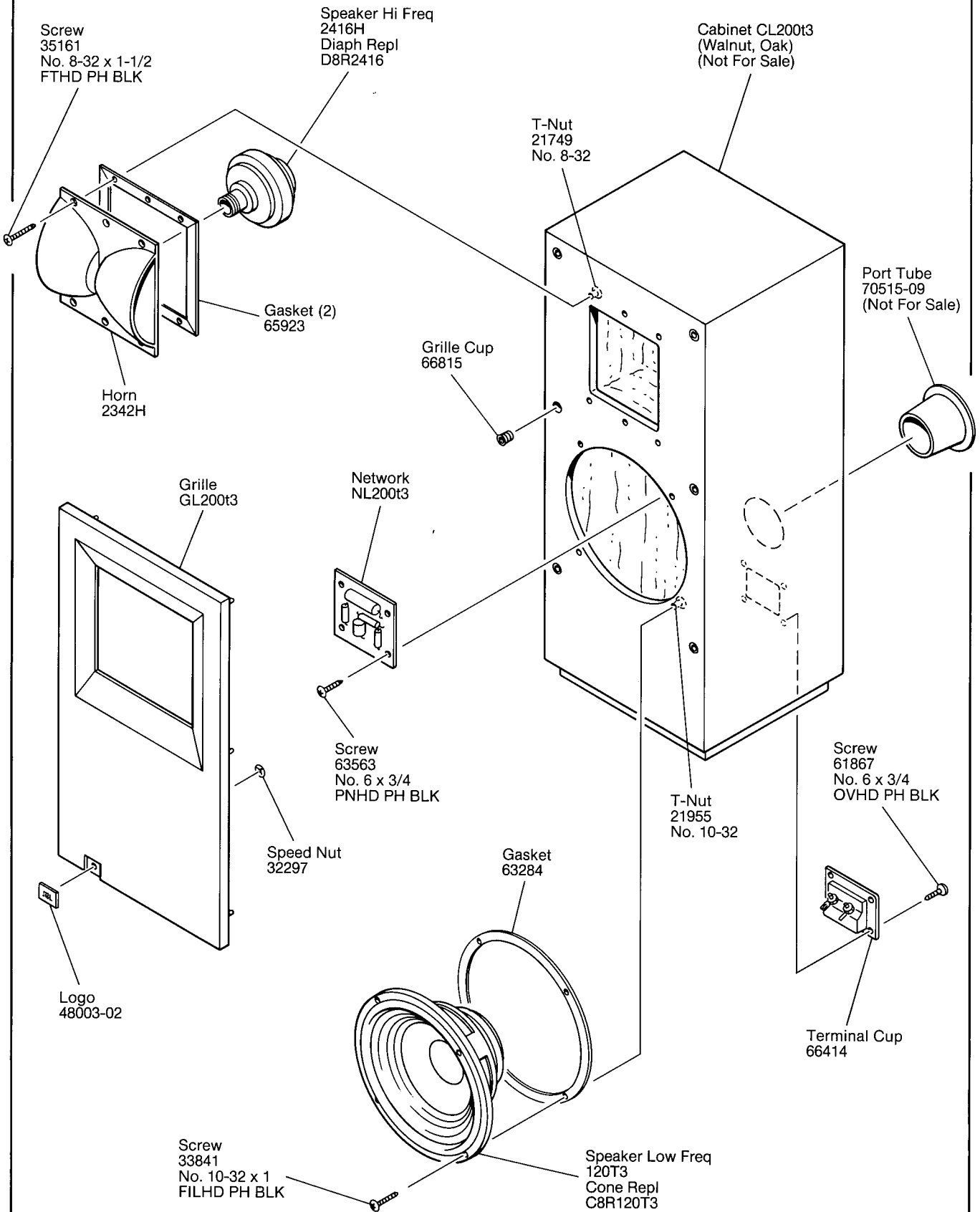


JBL L200t3 REV C

DRIVER	TEST VOLTAGE	SWEEP FREQUENCY	GAP GAUGE	DCR MIN-MAX.
2416H	2.83	550HZ-1.2KHZ	.029"	2.9-3.5 OHMS
120T3	6	20HZ-1.2KHZ	.053"	4.5-5.5 OHMS

JBL L200t3

COMPONENT EXPLODED VIEW



JBL L200t3