

## SPECIFICATIONS

### ACOUSTIC & ELECTRICAL SPECIFICATIONS:

- Rated Impedance: 6 ohm
- Minimum Impedance: 5.5 ohm
- Frequency Response (-6dB): 45 Hz to 32 kHz (Half Space)
- Sensitivity: 87 dB for 2.83V @ 1m
- Crossover Frequencies: 3000 Hz

### SYSTEM COMPONENTS:

- Cabinet: C20T (Oiled Walnut)
- Grille: G20T

### SYSTEM COMPONENTS: (cont'd)

- Bass Transducer: 115H-1, 6½" Cone Type
- High Frequency Transducer: 035Ti, 1" Titanium Dome
- Crossover Network: N20T, 2 Way, 12 dB/OCT

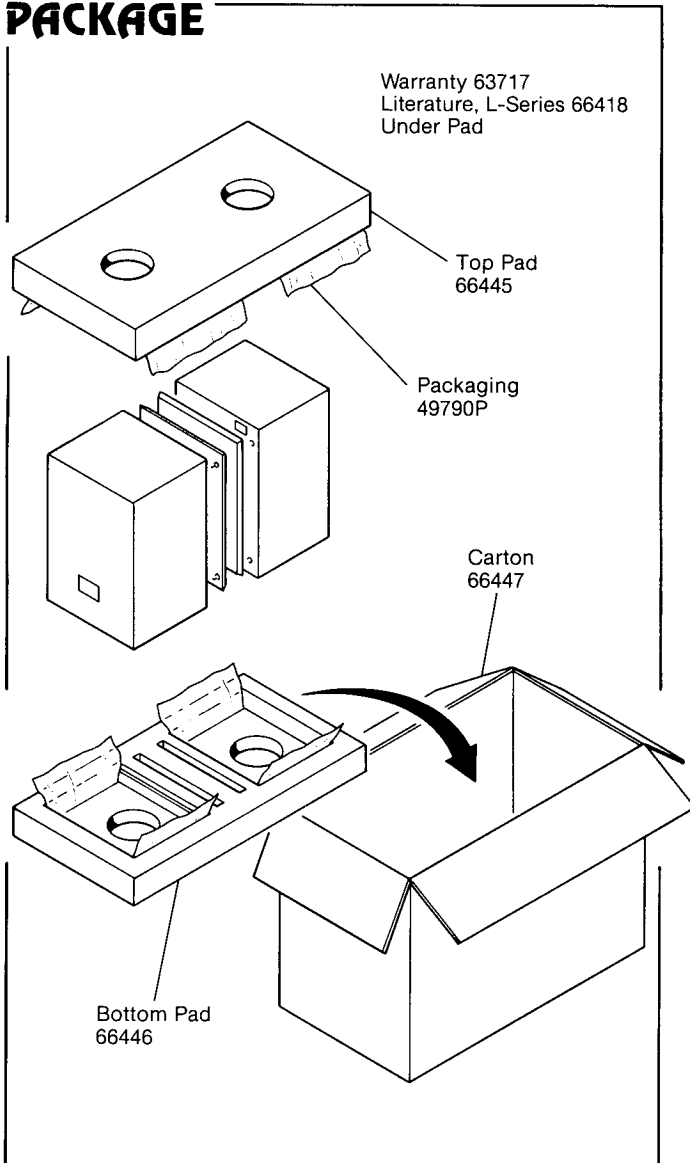
### PHYSICAL SPECIFICATIONS:

- Enclosure Dimensions: 14.75 x 9.38 x 8.25 D (inch)  
.41 cu. ft.
- Shipping Weight: 18.8 lbs. ea., (sold in pairs)

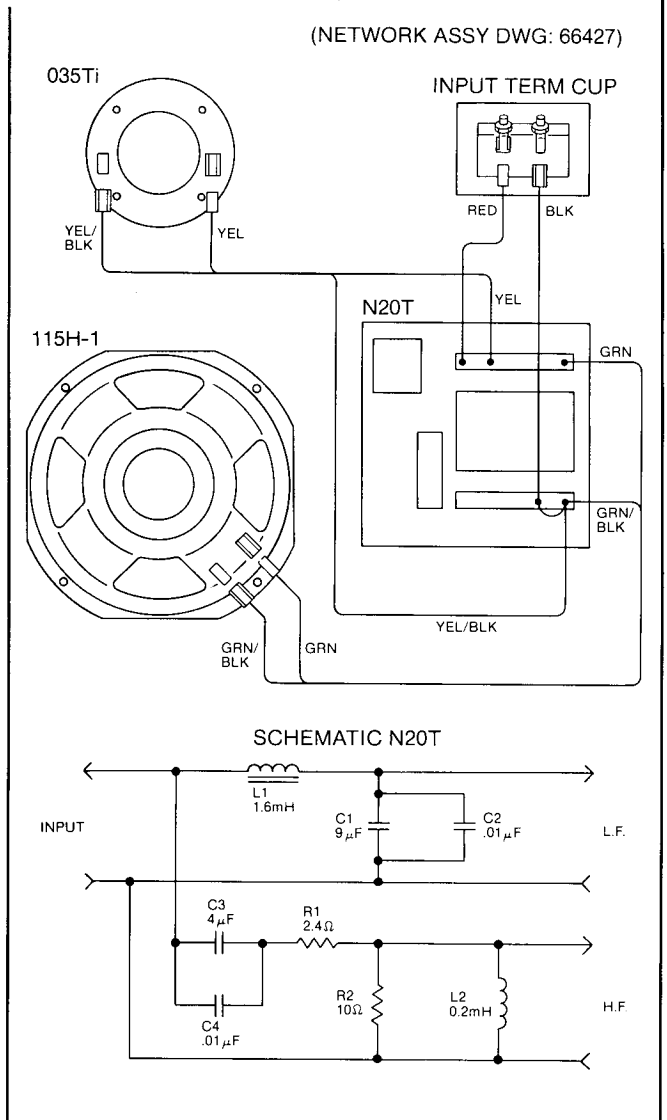
### TEST SPECIFICATION:

- EST 1313

## PACKAGE



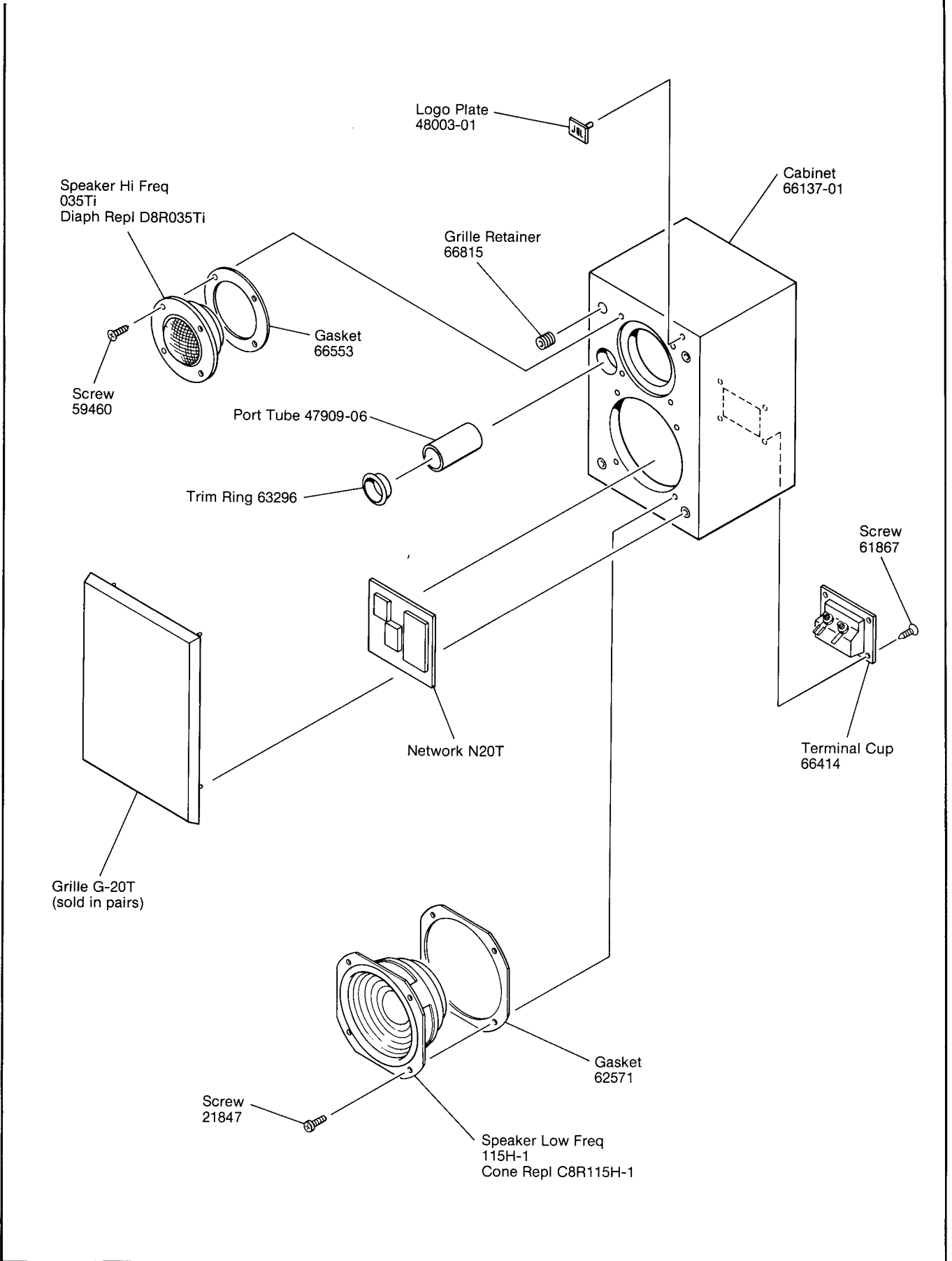
## WIRING DIAGRAM



DRIVER	TEST VOLTAGE	SWEEP FREQUENCY	GAP GAUGE	DCR MIN-MAX.
035Ti	2.83	2KHZ-20KHZ	.031"	3.5-4.2 OHMS
115H-1	6	20HZ-1.2KHZ	.057"	3.8-4.6 OHMS

# L20T

## COMPONENT EXPLODED VIEW



L20T