



JBL L20t3

SPECIFICATIONS

ACOUSTIC & ELECTRICAL SPECIFICATIONS:

- Nominal Impedance: 8 ohm
- Max Recommended Amplifier Power: 200W
- Frequency Response: 55 Hz to 27 kHz ± 6 dB
- Sensitivity: 87 dB SPL*
- Crossover Frequencies: 3 kHz

SYSTEM COMPONENTS:

- Cabinet: CL20t3 (Not For Sale)
- Grille: GL20t3
- Low Frequency: 115H-1 (6.50 in.) 165mm Filled Polypropylene

SYSTEM COMPONENTS: (cont'd)

- High Frequency Transducer: 035TiA (1 in.) 25mm Pure Titanium Dome
- Crossover Network: NL20t3, 2-Way, 12 dB/OCT

PHYSICAL SPECIFICATIONS:

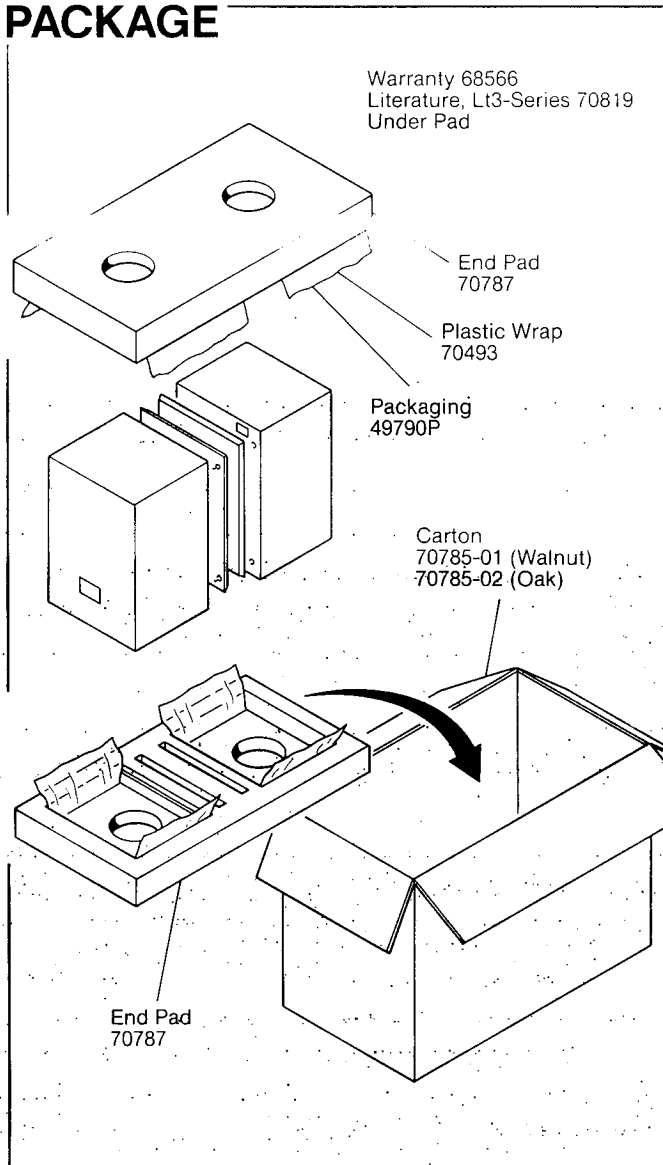
- Enclosure Dimensions: 394mm x 243mm x 206mm D (15.5 x 9.5 x 8.125 in. D)
- Shipping Weight: 14 lbs. (6.3 kg) Each

WARRANTY INFORMATION:

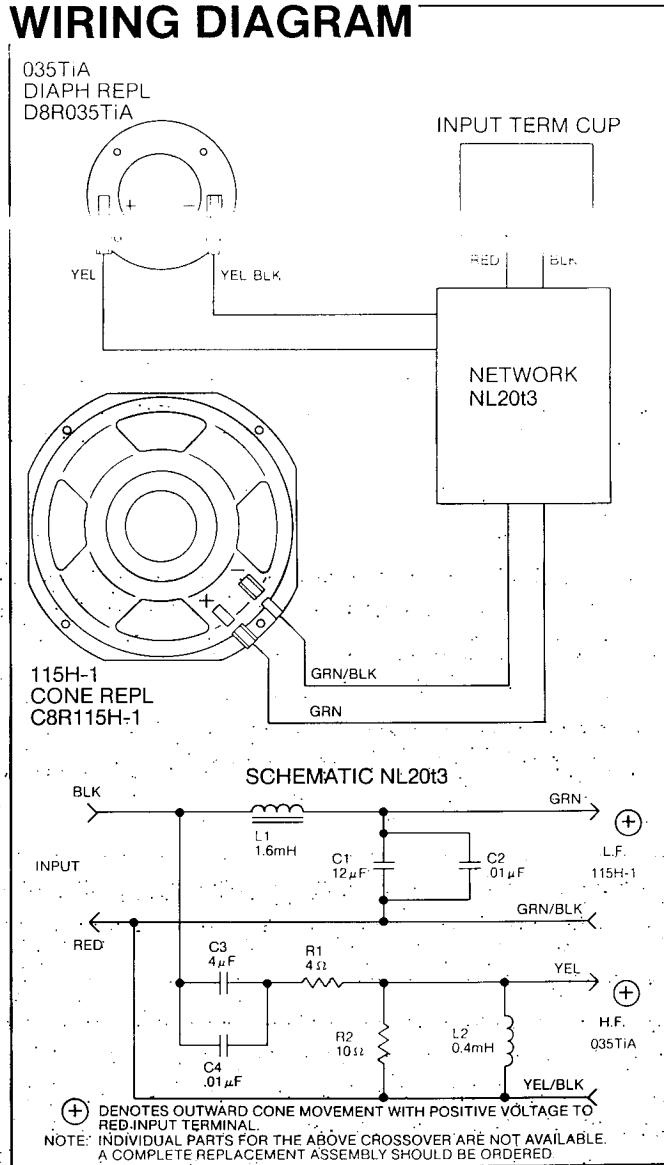
- Refer to the Warranty Statement packed with each product

*1 Watt (2.83 V RMS) @ 1 Meter

PACKAGE



WIRING DIAGRAM



JBL L20t3 REV D

DRIVER	TEST VOLTAGE	SWEEP FREQUENCY	GAP GAUGE	OCR MIN-MAX.
035TiA	2.83	2KHZ-20KHZ	0.31"	3.5-4.2 OHMS
115H-1	6	20HZ-1.2KHZ	0.57"	3.8-4.6 OHMS

JBL L20t3

COMPONENT EXPLODED VIEW

