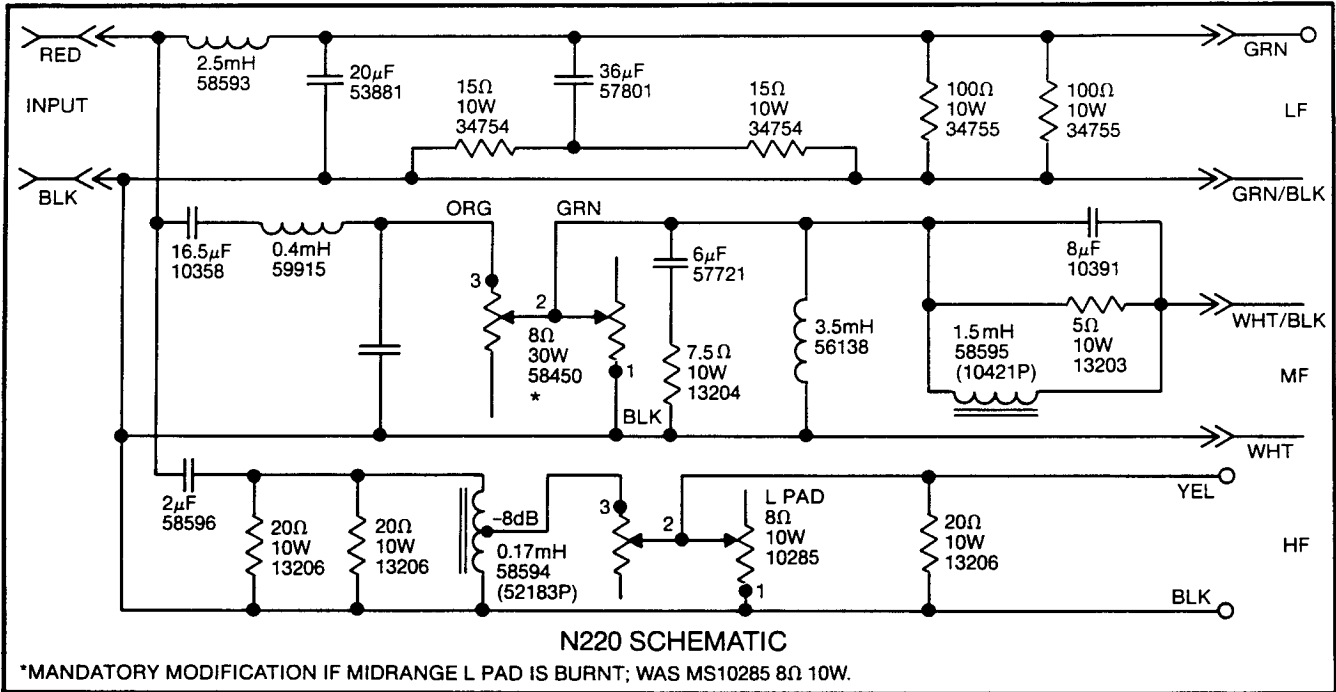


L220A Oracle

L222A Disco



SYSTEM COMPONENTS:

LOW FREQUENCY DRIVER:

- Cone Kit: LE14H
- Nom. Impedance: C8RLE14A
- Dynamic Test Input V: 8 Ohm
- Sweep Frequency Hz: 30-1200
- D.C. Resistance Ohms: 5.7 min/6.9 max
- Gap Gauge: .057"
- Notes: Aquaplas on Front and Back of Cone
- If Not Serviceable, Replace With: LE14H-1
- Visual Change: Yes
- Baffle Modification: No
- Exact Acoustic Replacement: No. Slightly different.
- Replace both units in a stereo pair.
- Additional Parts Currently Available*:
 - Dome: 50201
 - Mounting Gasket: 20253
 - Trim Gasket: 21811

MID RANGE DRIVER:

- Cone Kit: LE5-9
- Nom. Impedance: C8RLE59
- Dynamic Test Input V: 8 Ohm
- Sweep Frequency Hz: 75-3000
- D.C. Resistance Ohms: 5.1 min/6.3 max
- Gap Gauge: .040"
- Notes:
- If Not Serviceable, Replace With: LE5-10
- Visual Change: Yes
- Baffle Modification: No
- Exact Acoustic Replacement: No. Slightly different.
- Replace both units in a stereo pair.
- Additional Parts Currently Available*:
 - Dome: 51868
 - Mounting Gasket: 21771
 - Trim Gasket: 29931

HIGH FREQUENCY DRIVER:

- Diaphragm Kit: 076
- Nom. Impedance: D8R076
- Dynamic Test Input V: 16 Ohm
- 7

HIGH FREQUENCY DRIVER (Cont'd)

- Sweep Frequency Hz: 1000-3000
- D.C. Resistance Ohms: 5.7 min/6.7 max
- Gap Gauge: .025"
- Notes: Do not crease diaphragm. Test with network.
- If Not Serviceable, Replace With: 2403H
- Visual Change: Yes
- Baffle Modification: No
- Exact Acoustic Replacement: Yes
- Additional Parts Currently Available*:
 - Mounting Gasket: 51795

PASSIVE RADIATOR:

- Cone Kit: PR15D (L220A)
- Notes: PR15C (L222A)
- If not serviceable, Replace With: CRPR15C
- Visual Change: No Replacement Available
- Baffle Modification: N/A
- Exact Acoustic Replacement: N/A
- Additional Parts Currently Available*:
 - Dome: 50201
 - Mounting Gasket: 34499
 - Trim Gasket: 52347

SYSTEM SPECIFICATIONS:

- Nom. Impedance: 8 Ohm
- Max Rec. Amp Power: 400 Watts Per Channel
- Crossover Frequencies: 800 Hz, 5000 Hz
- Sensitivity: 90dB (1 Watt @ 1 Meter)
- Enclosure Dim: 48-1/4" x 20-1/8" x 15-3/8" D
- Shipping Weight: 1225mm x 512mm x 390mm
- Additional Parts Currently Available*:
 - Binding Posts: Red: 56131
 - Black: 56130

SYSTEM NOTES:

L94 Lens No Longer Available.

*Other parts may also be available. Check with JBL for details.