



L3

SPECIFICATIONS

ACOUSTIC & ELECTRICAL SPECIFICATIONS:

- Nominal Impedance: 8 ohm
- Recommended Amplifier Power: 35W to 250W
- Frequency Response: 35 Hz to 27 kHz (± 6 dB)
- Sensitivity: 89 dB SPL*
- Crossover Frequency: 3 kHz

SYSTEM COMPONENTS:

- Cabinet: CL3 (Not For Sale)
- Grille: GL3
- Low Frequency Transducer: 708G-1 8 in. (200mm) Cone Transducer

SYSTEM COMPONENTS: (cont'd)

- High Frequency Transducer: 035TiA 1 in. (25mm) Pure Titanium Dome
- Crossover Network: NL3

PHYSICAL SPECIFICATIONS:

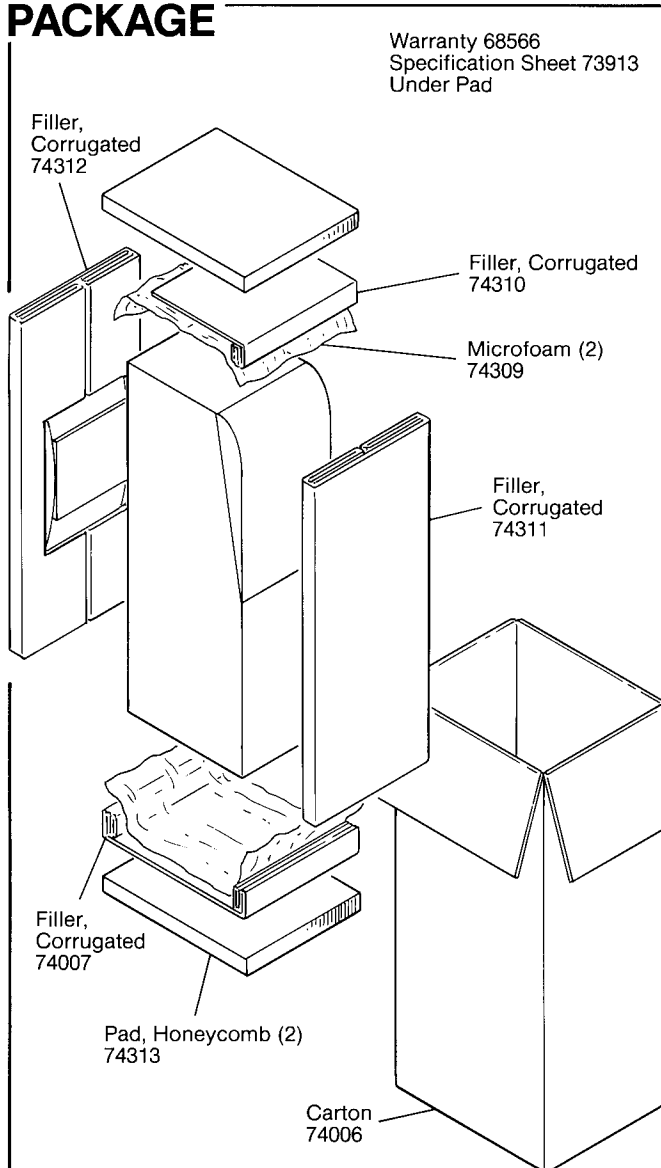
- Enclosure Dimensions: 32.87 x 9.62 x 12.0 in. D (835mm x 244mm x 304mm D)
- Shipping Weight: 30 lbs. (13.6 kg.)

WARRANTY INFORMATION:

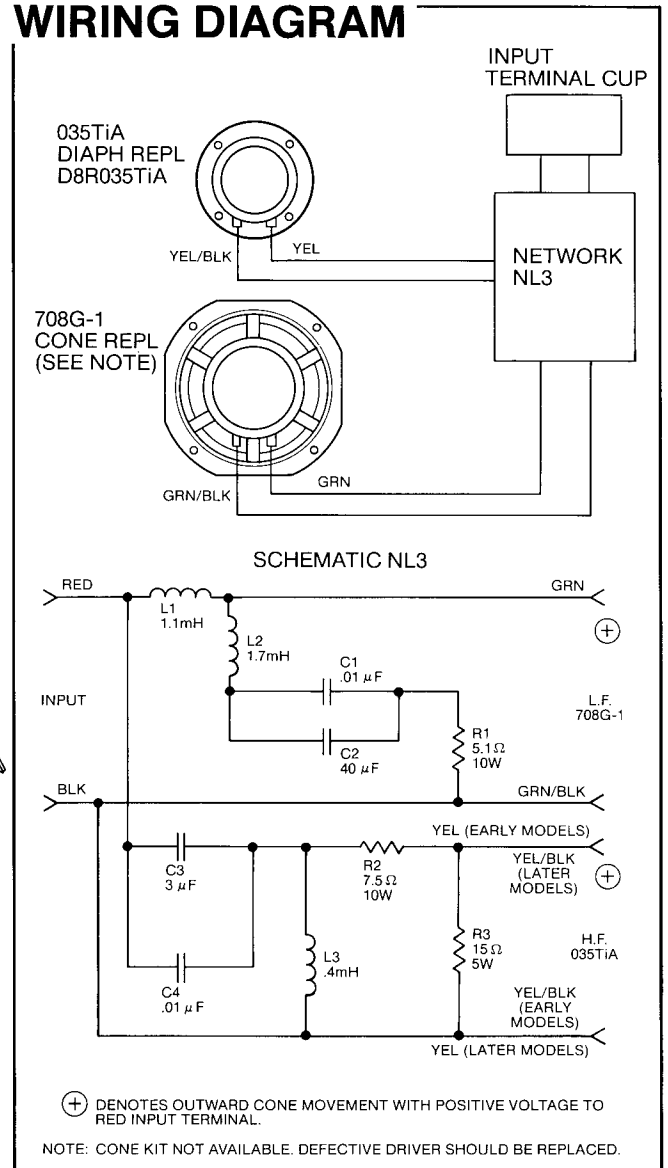
- Refer to the Warranty Statement packed with each product.

*1 Watt @ 1 Meter

PACKAGE



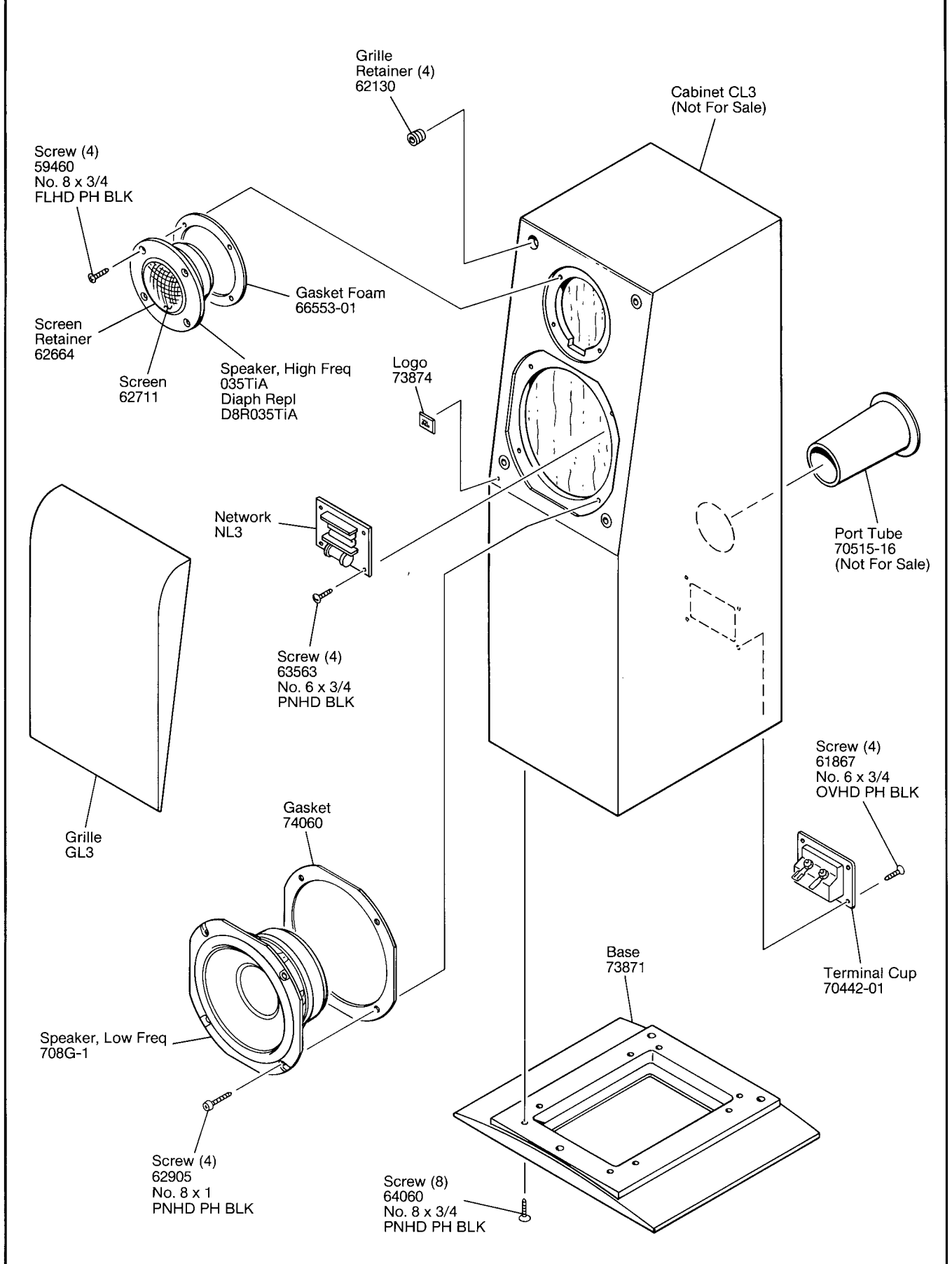
WIRING DIAGRAM



DRIVER	TEST VOLTAGE	SWEEP FREQUENCY	GAP GAUGE	DCR MIN-MAX.
035TiA	2.83	2KHZ-20KHZ	.031"	3.5-4.2 OHMS
708G-1	4	20HZ-1.2KHZ	NA	3.8-4.6 OHMS

L3

COMPONENT EXPLODED VIEW



L3