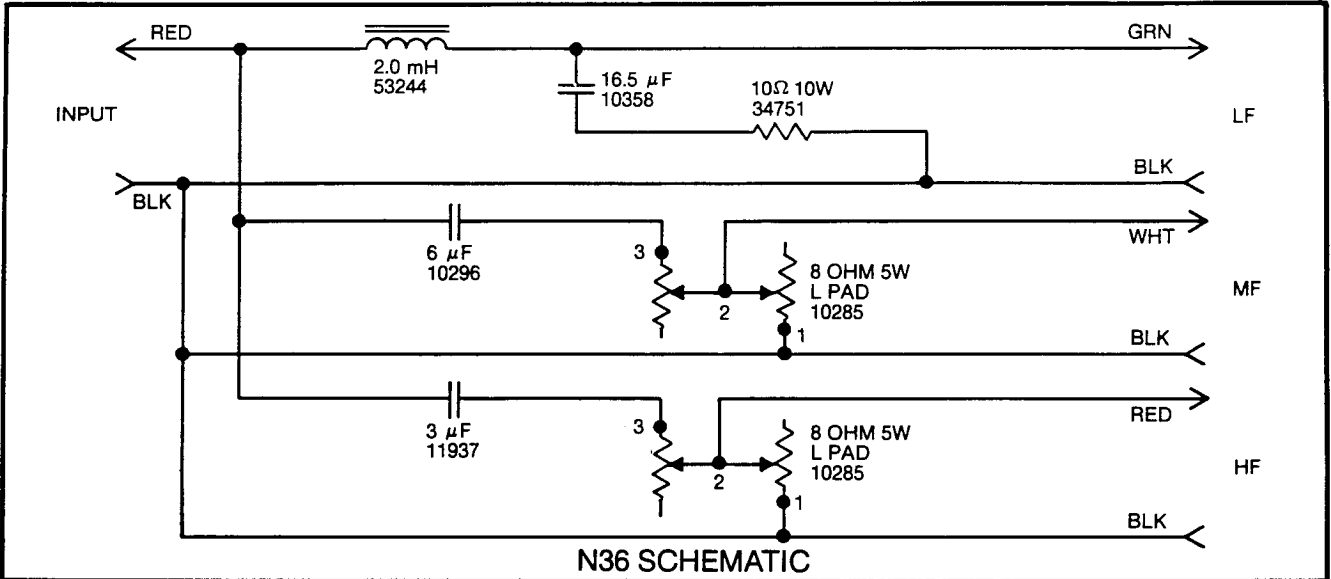


Technical Manual

L36 Decade



SYSTEM COMPONENTS:

LOW FREQUENCY DRIVER:

125A
Cone Kit: C8R127A
Nom. Impedance: 8 Ohm
Dynamic Test Input V: 5
Sweep Frequency Hz: 30-1200
D.C. Resistance Ohms: 4.7 minimum
5.7 maximum

Gap Gauge: .044"
Notes: Dome Inverted

If Not Serviceable,
Replace With: 125HR
Visual Change: Yes
Baffle Modification: No
Exact Acoustic Replacement: No.
Slightly different. Replace both units
in a stereo pair.

Additional Parts Currently Available*:

Dome: 50201
Terminal Board: 52348
Mounting Gasket: 52089
Trim Gasket: 52315

MID RANGE DRIVER:

LE5-6
Cone Kit: C8RLE510
Nom. Impedance: 8 Ohm
Dynamic Test Input V: 4
Sweep Frequency Hz: 75-3000
D.C. Resistance Ohms: 5.6 minimum
6.8 maximum

Gap Gauge: .040"

Notes:
If Not Serviceable,
Replace With: Currently Available.

Can Also Be Replaced With LE5-12.

Visual Change: Yes
Baffle Modification: No

MID RANGE DRIVER (Cont'd)

Exact Acoustic Replacement: Yes

Additional Parts Currently Available*:

Dome: 51868
Terminal Board: 53225
Trim Gasket: 29931

HIGH FREQUENCY DRIVER:

LE25-2
Diaphragm Kit: D8RLE252
Nom. Impedance: 8 Ohm
Dynamic Test Input V: 3
Sweep Frequency Hz: 500-1200
D.C. Resistance Ohms: 3.6 minimum
4.4 maximum

Gap Gauge: .029"
Notes: Kit includes parts
for similar models. Use required parts only.

If Not Serviceable, Replace With: 035TiA

Visual Change: Yes

Baffle Modification: Yes

Exact Acoustic Replacement: No. Use as a last
resort. Replace both units in a stereo pair.

Additional Parts Currently Available*:

Trim Ring: 53363
Mounting Gasket: 50949-01
Dome: 21606

SYSTEM SPECIFICATIONS:

Nominal Impedance: 8 Ohm

Power Capacity: 50 Watts

Continuous Program

Crossover Frequencies: 1500 Hz, 6000 Hz

Sensitivity: 76dB (1 Watt @ 15 Feet)

Enclosure Dim: 13-1/2" x 24" x 13-5/8" D

343mm x 610mm x 346mm

Shipping Weight: 45 lbs. - 20.4 kg.

Additional Parts Currently Available*:

Binding Posts: Red: 56131

Black: 56130

*Other parts may also be available. Check with JBL for details.