

JBL L40t3

SPECIFICATIONS

ACOUSTIC & ELECTRICAL SPECIFICATIONS:

- Nominal Impedance: 8 ohm
- Max Recommended Amplifier Power: 250W
- Frequency Response: 45 Hz to 27 kHz ± 6 dB
- Sensitivity: 88 dB SPL*
- Crossover Frequencies: 2.5 kHz

SYSTEM COMPONENTS:

- Cabinet: CL40t3 (Not For Sale)
- Grille: GL40t3
- Low Frequency Transducer: 116H-2 (3 in.) 203mm Polymer Laminate

SYSTEM COMPONENTS: (cont'd) 035TIA

- High Frequency Transducer: (1 in.) 25mm Pure Titanium Dome
- Crossover Network: NL40t3

PHYSICAL SPECIFICATIONS:

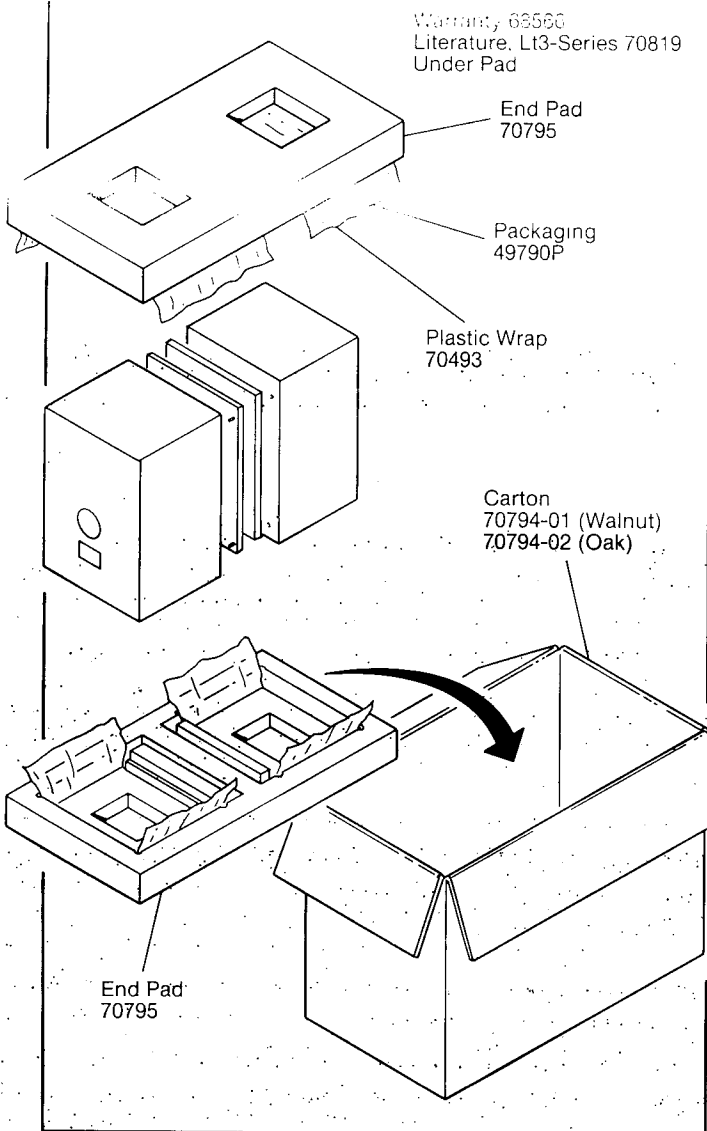
- Enclosure Dimensions: 533mm x 266mm x 248mm D (21.0 x 11.25 x 9.75 in. D)
- Shipping Weight: 24 lbs. (10.9 kg) Each

WARRANTY INFORMATION:

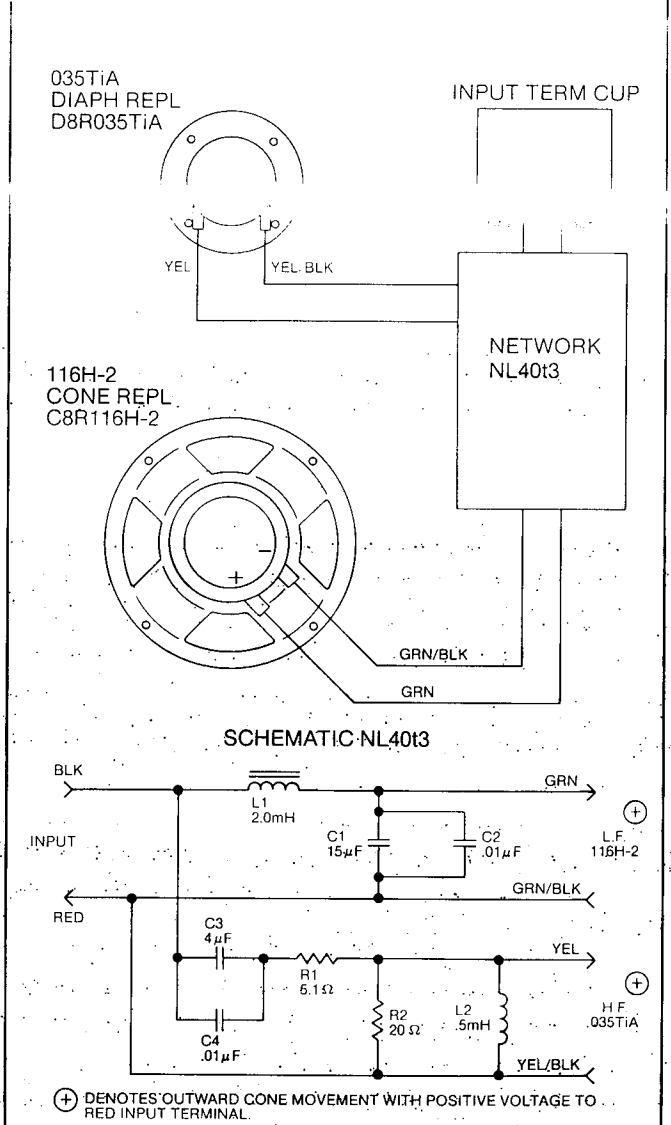
- Refer to the Warranty Statement packed with each product

*1 Watt (2.83 V RMS) @ 1 Meter

PACKAGE



WIRING DIAGRAM

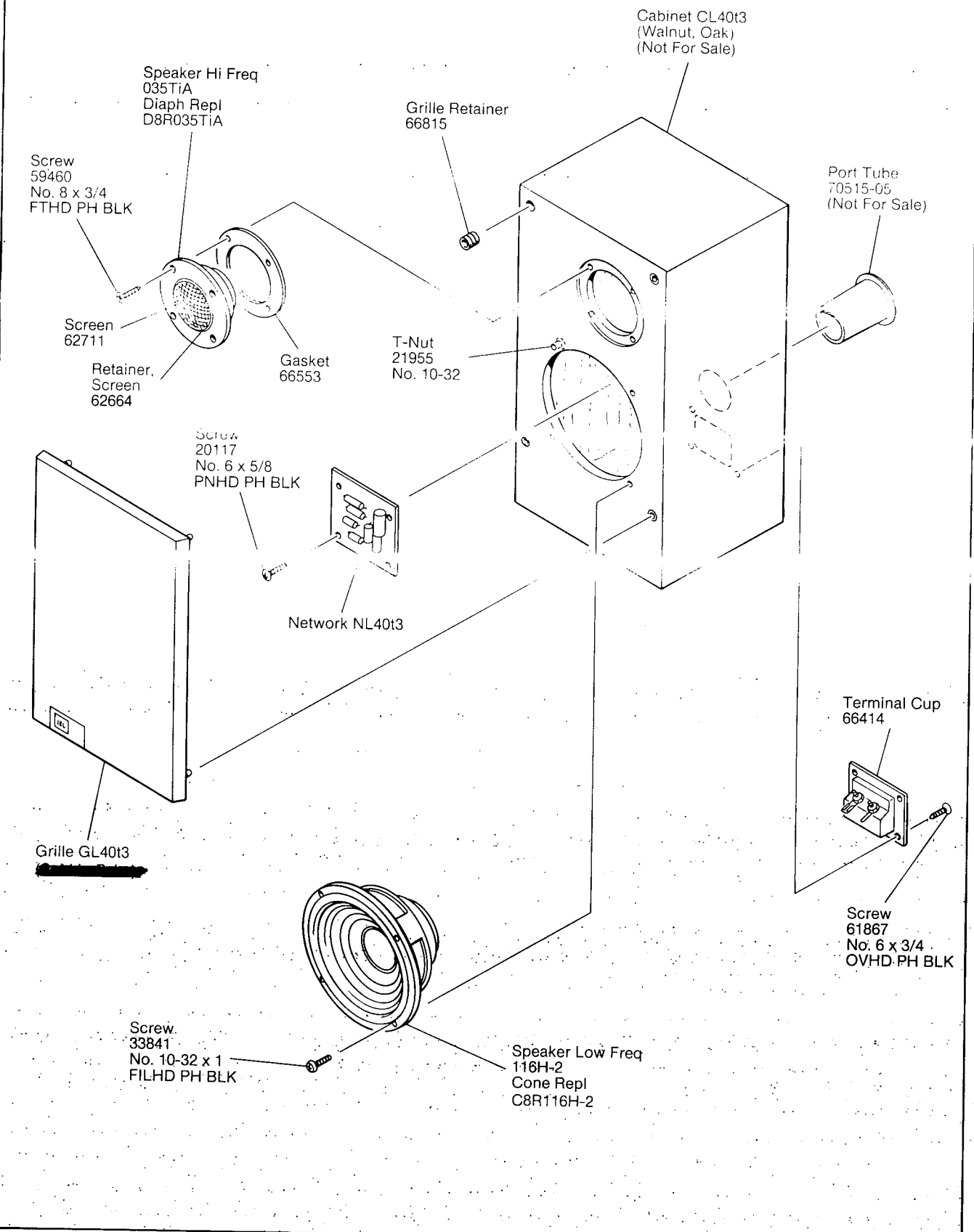


JBL L40t3 REV C

DRIVER	TEST VOLTAGE	SWEEP FREQUENCY	GAP GAUGE	DCR MIN-MAX.
035TiA	2.83	2KHZ-20KHZ	031"	3.5-4.2 OHMS
116H-2	6	20HZ-1.2KHZ	057"	4.0-4.5 OHMS

JBL L40t3

COMPONENT EXPLODED VIEW



JBL L40t3