

DRIVER	TEST VOLTAGE	SWEEP FREQUENCY	GAP GAUGE	DCR MIN-MAX.
035TiA	2.83	2KHZ-20KHZ	.031"	3.5-4.2 OHMS
704G	4	100HZ-1KHZ	NA	5.5-6.0 OHMS
706G-1	4	20HZ-1.2KHZ	NA	3.4-4.2 OHMS
708G-1	4	20HZ-1.2KHZ	NA	3.8-4.6 OHMS



L5

SPECIFICATIONS

ACOUSTIC & ELECTRICAL SPECIFICATIONS:

- Nominal Impedance: 6 ohm
- Recommended: 35W to 350W
- Amplifier Power:
- Frequency Response: 35 Hz to 27 kHz
- Sensitivity: 90 dB SPL*
- Crossover Frequencies: 170 Hz - 900 Hz - 4 kHz

SYSTEM COMPONENTS:

- Cabinet: CL5 (Not For Sale)
- Grille: GL5 Upper
GL5 Lower
- Low Frequency Transducer: 708G-1 8 in. (200mm) Cone Transducer

*1 Watt @ 1 Meter

SYSTEM COMPONENTS (cont'd)

- Low Frequency Transducer: 706G-1 6-1/2 in. (165mm) Cone Transducer
- Mid Frequency Transducer: 704G 5 in. (125mm) Cone Transducer
- High Frequency Transducer: 035TiA 1 in. (25mm) Pure Titanium Dome
- Crossover Network NL5

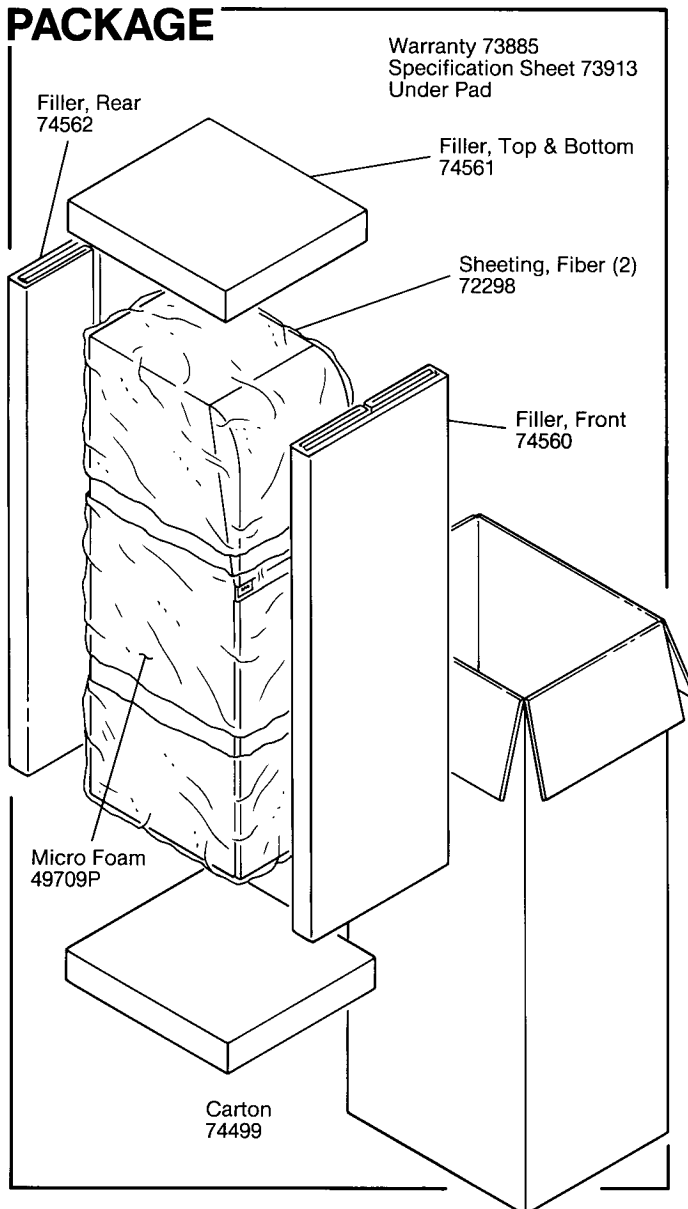
PHYSICAL SPECIFICATIONS:

- Enclosure Dimensions: 36.5 x 9.62 x 13.0 in. D (927mm x 244mm x 330mm D)
- Shipping Weight: 60 lbs. (27.3 kg.)

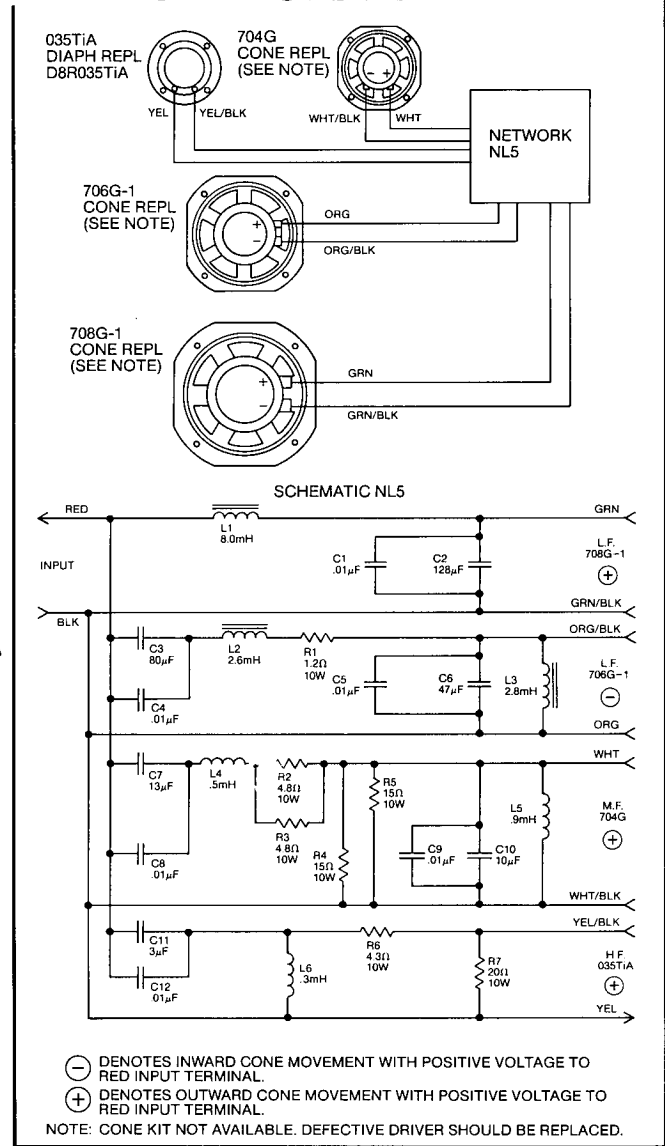
WARRANTY INFORMATION:

- Refer to the Warranty Statement packed with each product.

PACKAGE



WIRING DIAGRAM



COMPONENT EXPLODED VIEW

