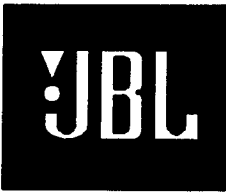


# L60



## SPECIFICATIONS

### ACOUSTIC & ELECTRICAL SPECIFICATIONS:

- \* Nominal Impedance: 4 ohm
- \* Recommended Amp Power: 50-200W
- \* Frequency Response: 60 Hz - 20 kHz ( $\pm 2$ dB)
- \* Sensitivity: 88 dB / 2,83V / 1 m
- \* Crossover frequency: 125Hz / 2,5 kHz

### SYSTEM COMPONENTS:

- \* Cabinet: CL60 (Not for sale)
- \* Grille: GL60 (240738)
- \* Woofer: 706H 165mm Woofer  
37mm voice coil
- DC Resistance: 3,8 ohm

### SYSTEM COMPONENTS: (cont'd)

- \* Tweeter: 050TI 25mm  
Titanium Dome Tweeter
- DC Resistance: 3,8 ohm
- \* Crossover Network: NL60 (270738)

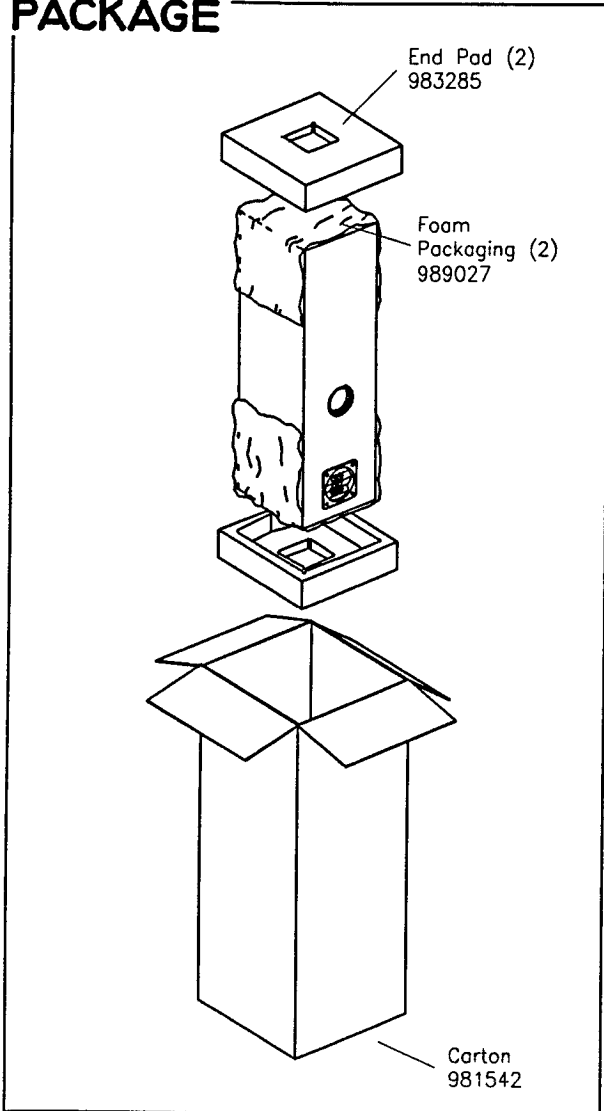
### PHYSICAL SPECIFICATIONS:

- \* Enclosure Dimensions (H.W.D): 35,4x10,2x13 in. D  
(900x260x330mm D)
- \* Shipping Weight: 53 lbs. (24 kg.)

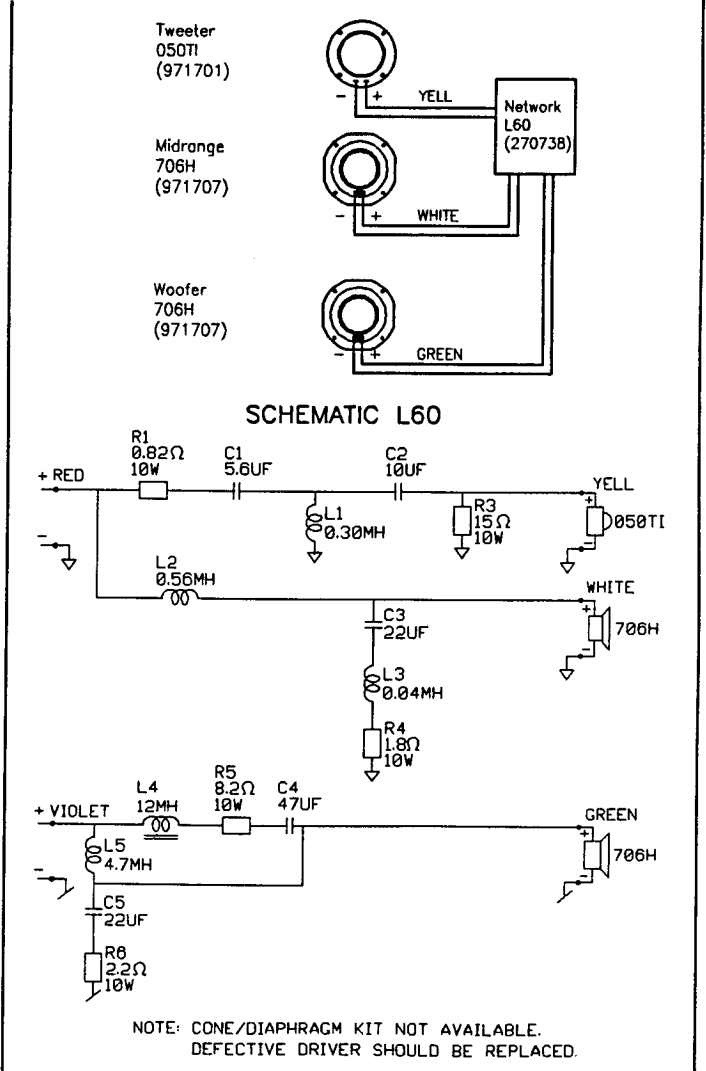
### WARRANTY INFORMATION:

- \* Refer to the Warranty Statement packed with each product

## PACKAGE



## WIRING DIAGRAM



L60

## COMPONENT EXPLODED VIEW

