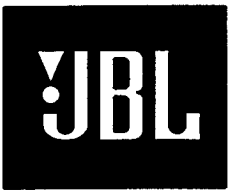


L60



SPECIFICATIONS

ACOUSTIC & ELECTRICAL SPECIFICATIONS:

- * Nominal Impedance: 4 ohm
- * Recommended Amp Power: 50-200W
- * Frequency Response: 60 Hz - 20 kHz (± 2 dB)
- * Sensitivity: 88 dB / 2,83V / 1 m
- * Crossover frequency: 125HZ / 2,5 kHz

SYSTEM COMPONENTS:

- * Cabinet: CL60 (Not for sale)
- * Grille: GL60 (2407390)
- * Woofer: 706H 165mm Woofer
37mm voice coil
- DC Resistance: 3,8 ohm

SYSTEM COMPONENTS: (cont'd)

- * Tweeter: 050TI 25mm
Titanium Dome Tweeter
- DC Resistance: 3,8 ohm
- * Crossover Network: NL60 (2707390)

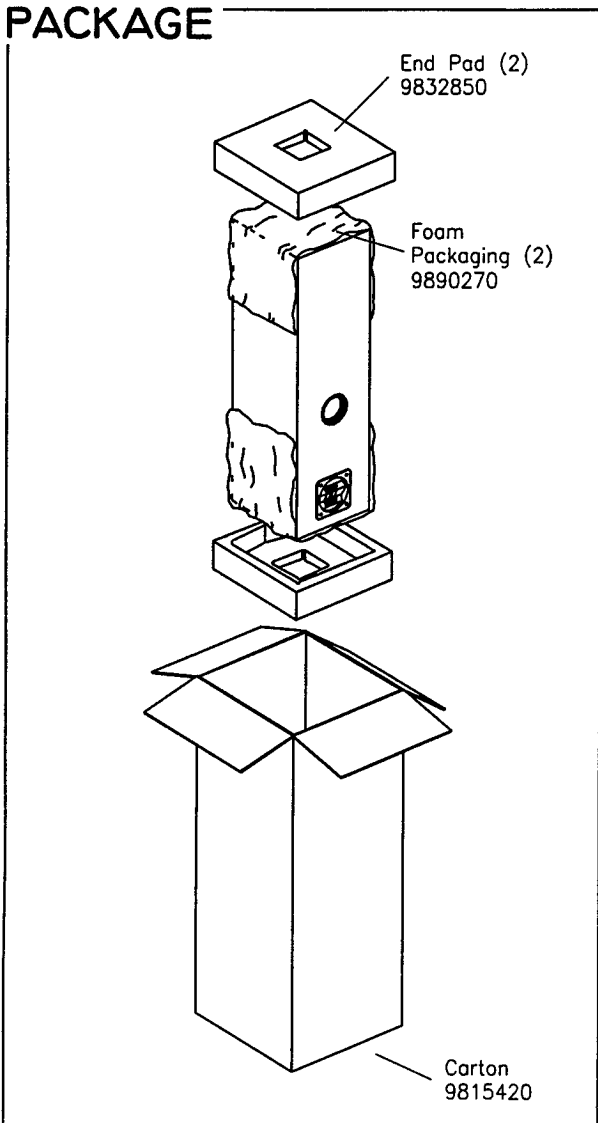
PHYSICAL SPECIFICATIONS:

- * Enclosure Dimensions (H.W.D): 35,4x10,2x13 in. D
(900x260x330mm D)
- * Shipping Weight: 53 lbs. (24 kg.)

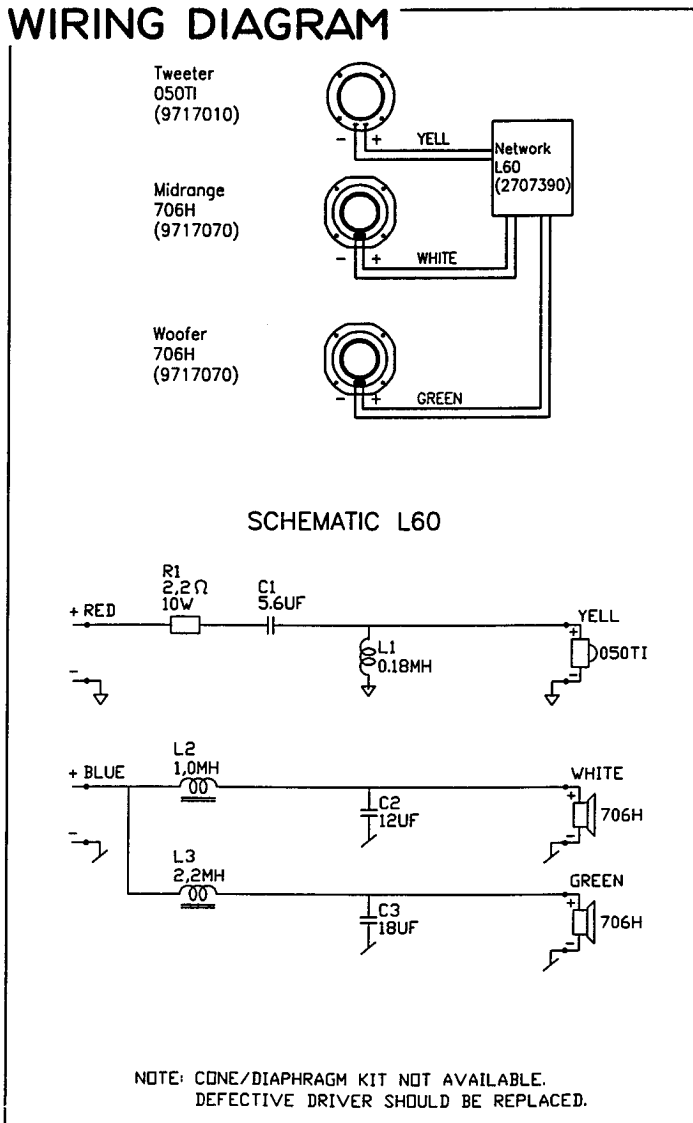
WARRANTY INFORMATION:

- * Refer to the Warranty Statement packed with each product

PACKAGE



WIRING DIAGRAM



L60

Valid from serial no. 07701
Rev. 16/10-1996

COMPONENT EXPLODED VIEW

