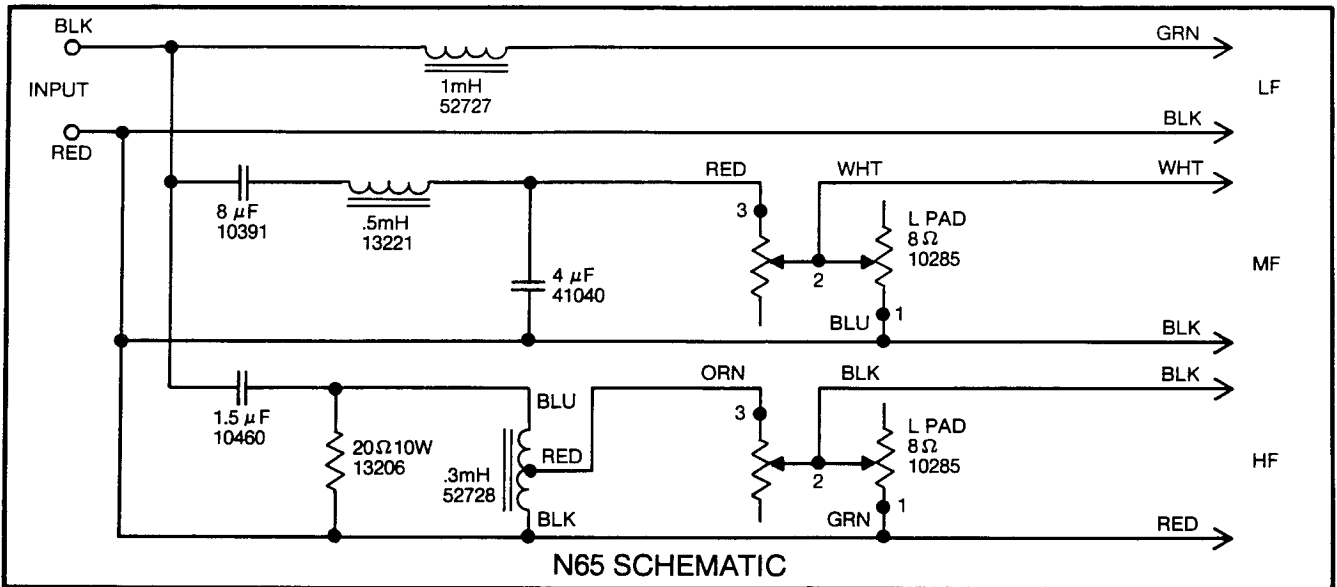


Technical Manual

L65 Jubal



SYSTEM COMPONENTS:

LOW FREQUENCY DRIVER:	126A
Cone Kit:	C8R126A
Nom. Impedance:	8 Ohm
Dynamic Test Input V:	6
Sweep Frequency Hz:	20-1200
D.C. Resistance Ohms:	4.5 minimum 5.5 maximum
Gap Gauge:	.044"
Notes:	Mass Ring.
Cone kit may have aquaplas on cone instead of mass ring. Use spacer gasket between compliance and frame.	
If Not Serviceable,	
Replace With:	128H-1
Visual Change:	Yes
Baffle Modification:	No
Exact Acoustic Replacement:	No.
Slightly different. Replace both units in a stereo pair.	
Additional Parts Currently Available*:	
Dome:	31385
Mounting Gasket:	20253
Trim Gasket:	52806
MID RANGE DRIVER:	LE5-5
Cone Kit:	C8RLE59
Nom. Impedance:	8 Ohm
Dynamic Test Input V:	4
Sweep Frequency Hz:	75-3000
D.C. Resistance Ohms:	5.6 minimum 6.6 maximum
Gap Gauge:	.040"
Notes:	
If Not Serviceable,	
Replace With:	LE5-11
Visual Change:	Yes
Baffle Modification:	No

MID RANGE DRIVER (Cont'd)

Exact Acoustic Replacement:	No.
Slightly different. Replace both units in a stereo pair.	
Additional Parts Currently Available*:	
Dome:	Was 54721 (Paper); Now 51868 (Alum.)
Trim Gasket:	29931
HIGH FREQUENCY DRIVER:	077
Diaphragm Kit:	D16R2405
Nom. Impedance:	16 Ohm
Dynamic Test Input V:	7
Sweep Frequency Hz:	1000-3000
D.C. Resistance Ohms:	5.7 minimum 6.7 maximum
Gap Gauge:	.025"
Notes:	Do not crease diaphragm.
If Not Serviceable,	
Replace With:	2405H
Visual Change:	Yes
Baffle Modification:	No
Exact Acoustic Replacement:	Yes
Additional Parts Currently Available*:	
Mounting Gasket:	51795

SYSTEM SPECIFICATIONS:

Nominal Impedance:	8 Ohm
Power Capacity:	75 Watts
Continuous Program	
Crossover Frequencies:	1000 Hz, 6500 Hz
Sensitivity:	76dB (1 Watt @ 15 Feet)
Enclosure Dim:	24-1/2" x 17-1/2" x 13-1/8" D 62.2cm x 44.5cm x 33.3cm
Shipping Weight:	68 lbs. - 31 kg.
Additional Parts Currently Available*:	
Binding Posts: Red:	56131
Black:	56130

*Other parts may also be available. Check with JBL for details.