

# L80 MKII

## SPECIFICATIONS

### ACOUSTIC & ELECTRICAL SPECIFICATIONS:

- \* Nominal Impedance: 4 ohm
- \* Recommended Amp Power: 50-250W
- \* Frequency Response: 55 Hz - 20 kHz ( $\pm 2$ dB)
- \* Sensitivity: 89 dB / 2,83V / 1 m
- \* Crossover frequency: 350HZ / 2,5 kHz

### SYSTEM COMPONENTS:

- \* Cabinet: CL80 MKII (Not for sale)
- \* Grille: GL80 MKII (2407410)
- \* Woofer: 708G 210mm Woofer  
50mm voice coil
- DC Resistance: 4,1 ohm
- \* Midrange: 705G 130mm Midrange  
30mm voice coil

### SYSTEM COMPONENTS: (cont'd)

- DC Resistance: 4,4 ohm
- \* Tweeter: 050TI 25mm  
Titanium Dome Tweeter
- DC Resistance: 3,8 ohm
- \* Crossover Network: NL80 MKII (2707410)

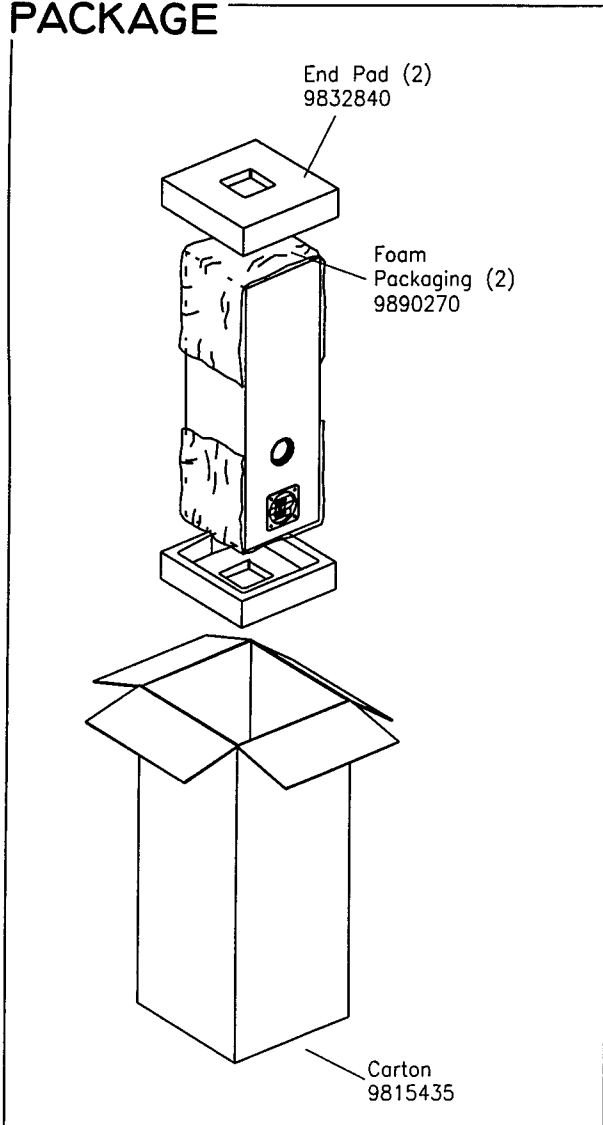
### PHYSICAL SPECIFICATIONS:

- \* Enclosure Dimensions (H.W.D): 37x11,8x13 in. D  
(940x300x330mm D)
- \* Shipping Weight: 59 lbs. (27 kg.)

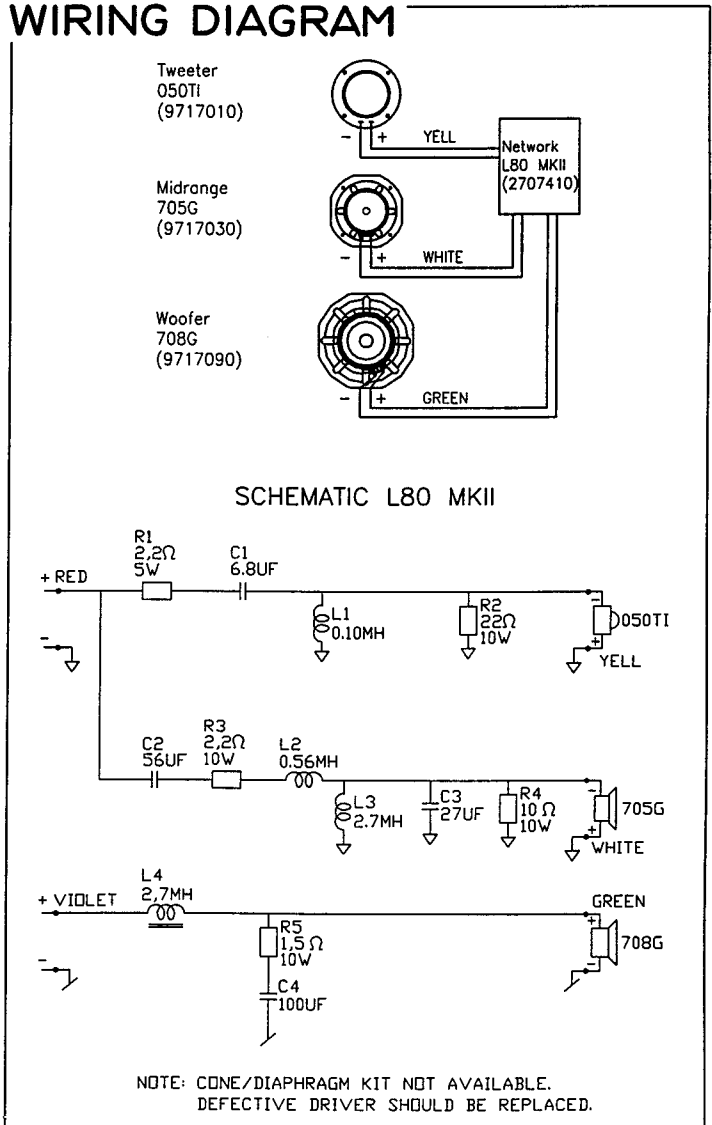
### WARRANTY INFORMATION:

- \* Refer to the Warranty Statement packed with each product

## PACKAGE



## WIRING DIAGRAM

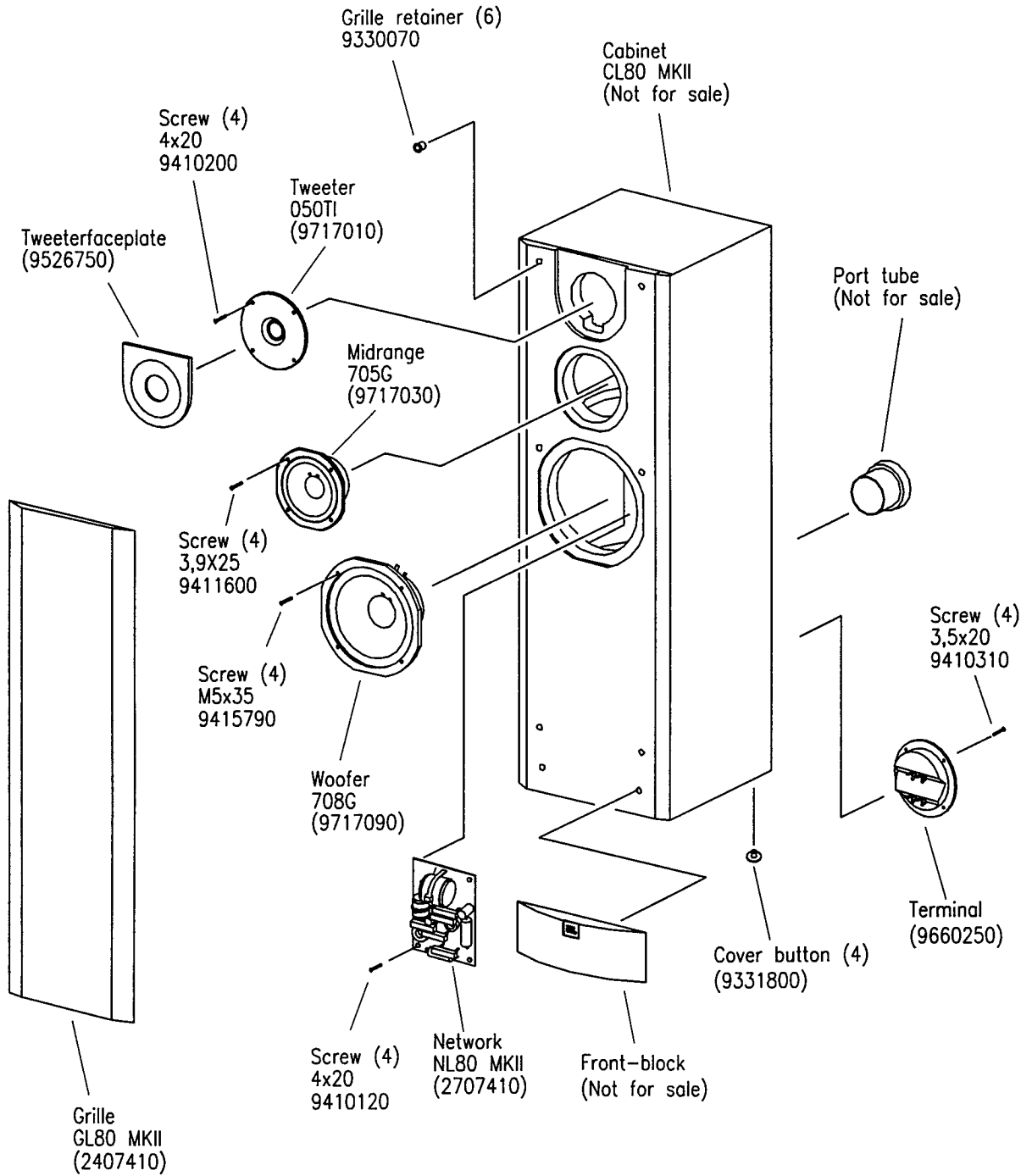


**L80 MKII**

Valid from serial no. 01001  
Rev. 25/10-1997

# L80 MKII

## COMPONENT EXPLODED VIEW



L80 MKII