

L8000

SPECIFICATIONS

ACOUSTIC & ELECTRICAL SPECIFICATIONS:

- * Nominal Impedance: 4 ohm
- * Recommended Amp Power: 50-250W
- * Frequency Response: 55 Hz - 20 kHz (± 2 dB)
- * Sensitivity: 89 dB / 2,83V / 1 m
- * Crossover frequency: 350HZ / 2,5 kHz

SYSTEM COMPONENTS:

- * Cabinet: CL8000 (Not for sale)
- * Grille: GL8000 (2407410)
- * Woofer: 708G 210mm Woofer
50mm voice coil
- DC Resistance: 4,1 ohm
- * Midrange: 705G 130mm Midrange
30mm voice coil

SYSTEM COMPONENTS: (cont'd)

- DC Resistance: 4,4 ohm
- * Tweeter: 050TI 25mm
Titanium Dome Tweeter
- DC Resistance: 3,8 ohm
- * Crossover Network: NL8000 (2707410)

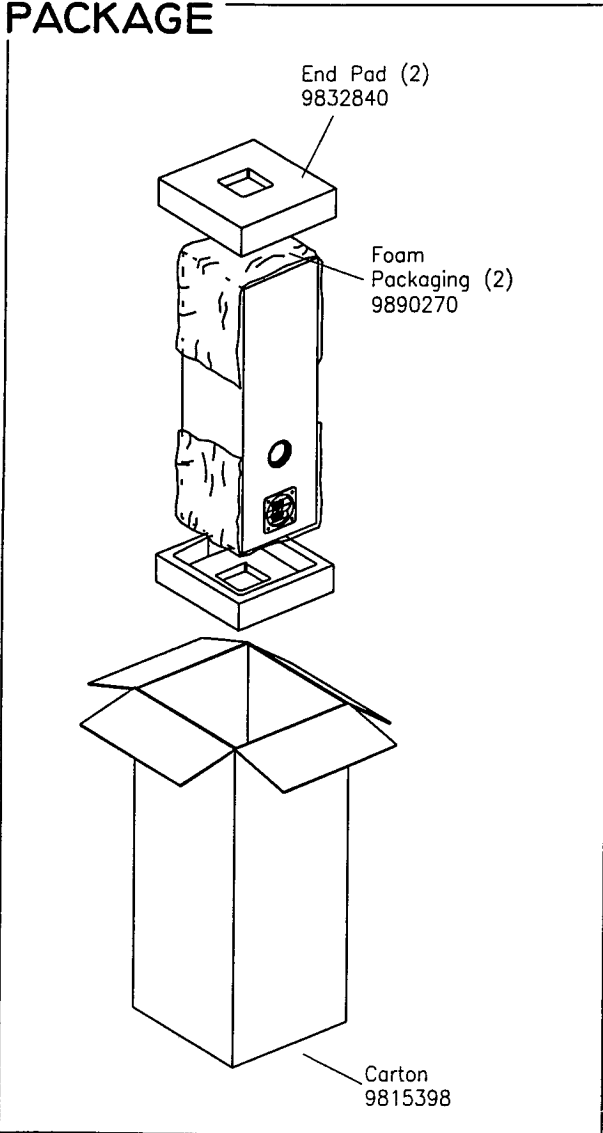
PHYSICAL SPECIFICATIONS:

- * Enclosure Dimensions (H.W.D): 37x11,8x13 in. D
(940x300x330mm D)
- * Shipping Weight: 59 lbs. (27 kg.)

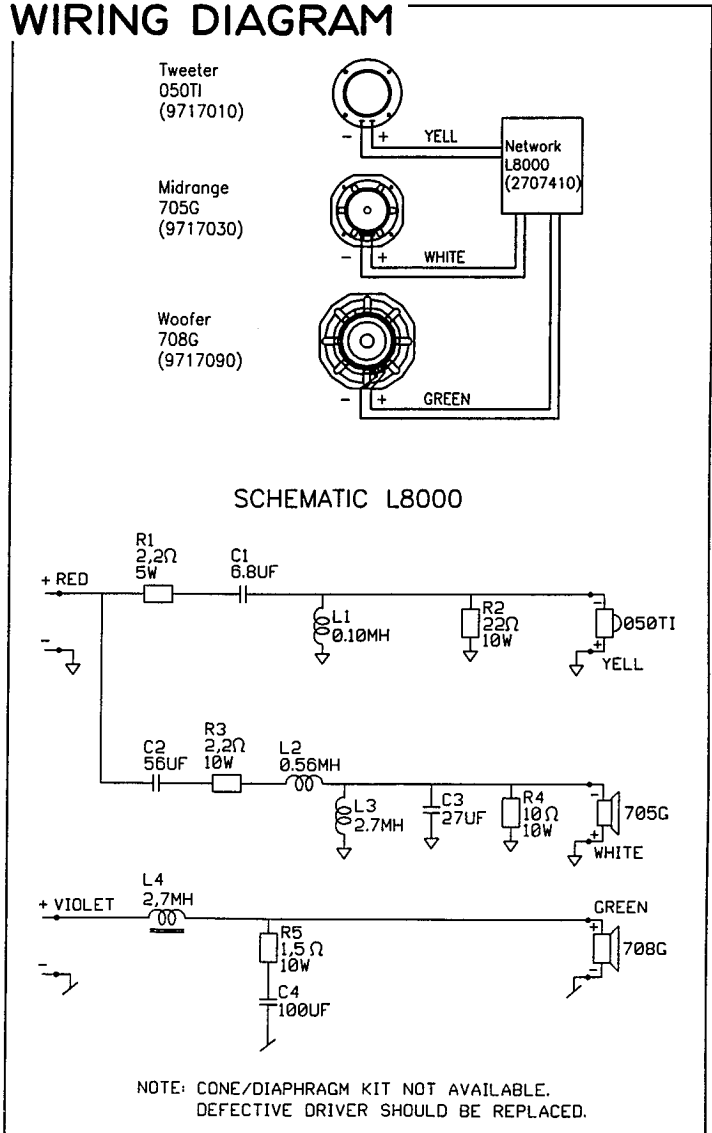
WARRANTY INFORMATION:

- * Refer to the Warranty Statement packed with each product

PACKAGE



WIRING DIAGRAM



L8000

Valid from serial no. 01001
Rev. 28/3-96

L8000

COMPONENT EXPLODED VIEW

