



JBL L80t3

SPECIFICATIONS

ACOUSTIC & ELECTRICAL SPECIFICATIONS:

- Nominal Impedance: 8 ohm
- Max Recommended Amplifier Power: 300W
- Frequency Response: 40 Hz to 27 kHz ± 6 dB
- Sensitivity: 90 dB SPL*
- Crossover Frequencies: 800 Hz/4.5 kHz

SYSTEM COMPONENTS:

- Cabinet: CL80t3 (Not For Sale)
- Grille: GL80t3
- Low Frequency: 127H-1 (10 in.) 254mm Aquaplas Laminate

SYSTEM COMPONENTS: (cont'd)

- High Frequency Transducer: 035TiA (1 in.) 25mm Pure Titanium Dome
- Crossover Network: NL80t3, 3-Way, 12 dB/OCT

PHYSICAL SPECIFICATIONS:

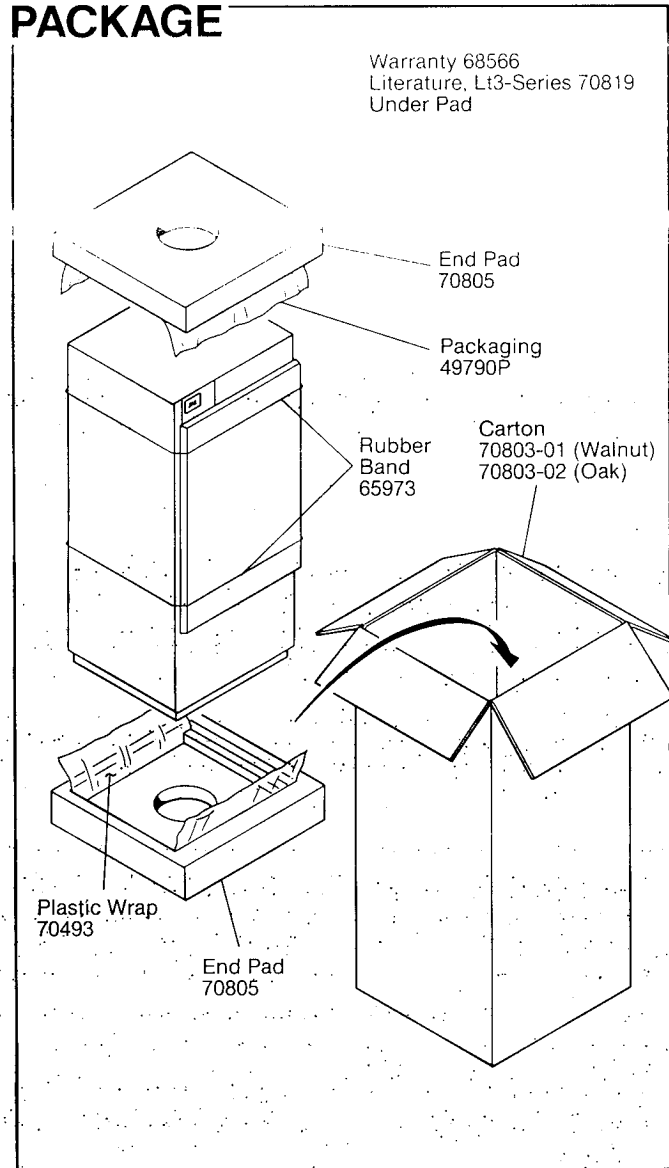
- Enclosure Dimensions: 813mm x 324mm x 308mm D (32.0 x 12.75 x 12.12 in. D)
- Shipping Weight: 44 lbs. (19.8 kg) Each

WARRANTY INFORMATION:

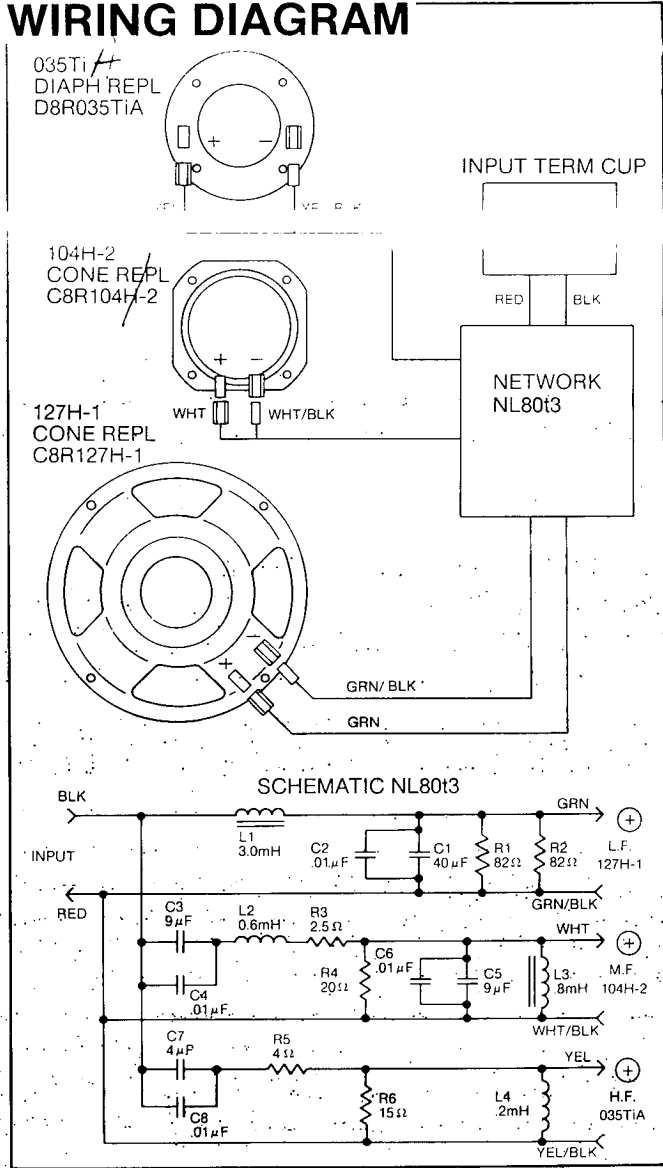
- Refer to the Warranty Statement packed with each product.

*1 Watt (2.83 V RMS) @ 1 Meter

PACKAGE



WIRING DIAGRAM

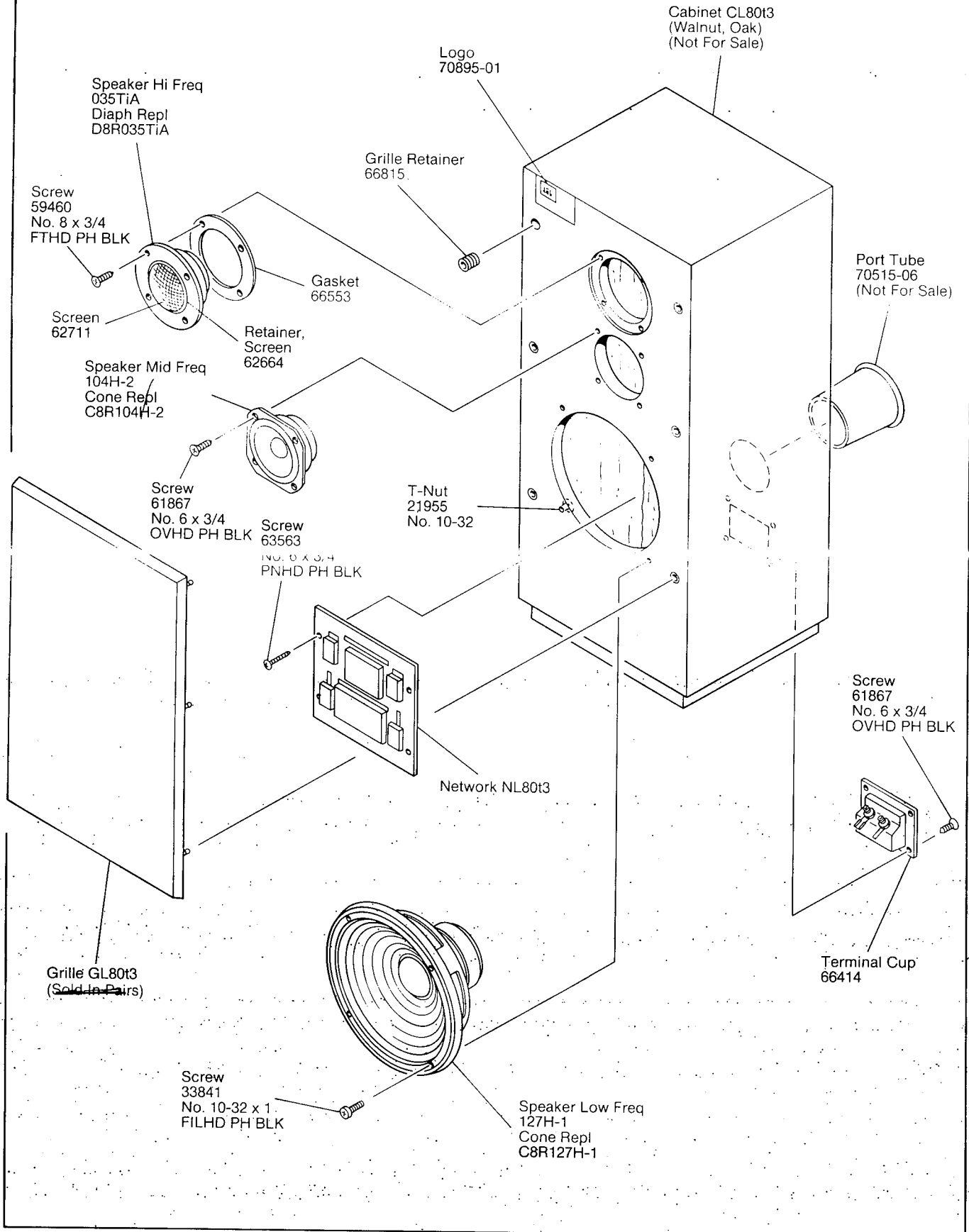


JBL L80t3 REV C

DRIVER	TEST VOLTAGE	SWEEP FREQUENCY	GAP GAUGE	DCR MIN-MAX.
035TiA	2.83	2KHZ-20KHZ	0.31"	3.5-4.2 OHMS
104H-2	4	500HZ-1.2KHZ	0.44"	3.8-4.6 OHMS
127H-1	6	20HZ-1.5KHZ	0.53"	5.5-6.5 OHMS

JBL L80t3

COMPONENT EXPLODED VIEW



JBL L80t3