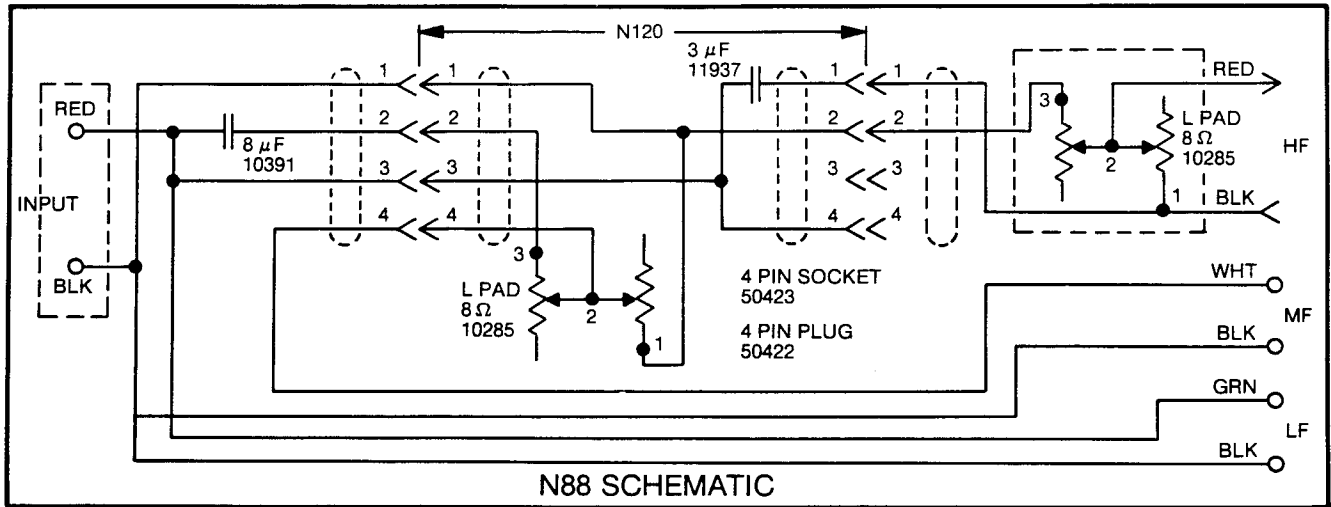


# L88P 88 Plus/ L88P-A 88 Plus



**SYSTEM COMPONENTS:**

**LOW FREQUENCY DRIVER:** 123A-1  
 Cone Kit: C8R2212  
 Nom. Impedance: 8 Ohm  
 Dynamic Test Input V: 6  
 Sweep Frequency Hz: 20-1200  
 D.C. Resistance Ohms: 4.5 minimum  
 5.5 maximum  
 Gap Gauge: .044"  
 Notes: Aquaplas  
 If Not Serviceable, 2213H  
 Replace With: (Reverse Polarity)  
 Visual Change: Yes  
 Baffle Modification: No  
 Exact Acoustic Replacement: No.  
 Slightly Different. Replace both units in a stereo pair.  
 Additional Parts Currently Available\*:  
 Dome: 31385  
 Trim Gasket: 32756

**MID RANGE DRIVER:** LE5-2  
 (Included in M12 Expander Kit)  
 Cone Kit: C8RLE52  
 Nom. Impedance: 8 Ohm  
 Dynamic Test Input V: 4  
 Sweep Frequency Hz: 75-3000  
 D.C. Resistance Ohms: 5.5 minimum  
 6.5 maximum  
 Gap Gauge: .040"  
 Notes: Dome Inverted  
 If Not Serviceable,  
 Replace With: LE5-10  
 Visual Change: Yes  
 Baffle Modification: No  
 Exact Acoustic Replacement: No.  
 Slightly Different. Replace both units in a stereo pair.  
 Additional Parts Currently Available\*:  
 Dome: 54721  
 Trim Gasket: 29931

**HIGH FREQUENCY DRIVER:** LE25  
 Diaphragm Kit: D8RLE25  
 Nom. Impedance: 8 Ohm  
 Dynamic Test Input V: 3  
 Sweep Frequency Hz: 500-1200  
 D.C. Resistance Ohms: 3.7 minimum  
 4.2 maximum  
 .029"  
 Gap Gauge:  
 Notes:  
 If Not Serviceable,  
 Replace With: 035TiA  
 Visual Change: Yes  
 Baffle Modification: Yes  
 Exact Acoustic Replacement: No.  
 Slightly Different. Replace both units in a stereo pair.  
 Additional Parts Currently Available\*:  
 Trim Ring: 50402  
 Mounting Gasket: 50949-01  
 Dome: 21606

**SYSTEM SPECIFICATIONS:**  
 Nominal Impedance: 8 Ohm  
 Power Capacity: 35 Watts Continuous  
 Program (50 Watts Continuous Program w/M12)  
 Crossover Frequencies: 2000 Hz  
 (1500 and 6000 Hz w/M12)  
 Sensitivity: 76dB (1 Watt @ 15 Feet)  
 Enclosure Dim: 14-1/4" x 23-1/2" x 11-3/4" D  
 36cm x 60cm x 30cm  
 Shipping Weight:  
 Additional Parts Currently Available\*:  
 Grill: G88-Cloth  
 Binding Posts: Red: 10243  
 Black: 10244

**SYSTEM NOTES:**  
 Optional M12 Expander Kit was available which included LE5-2 Midrange and N120 Crossover Module. Kit is no longer available.

\*Other parts may also be available. Check with JBL for details.