



LC312-1

SPECIFICATIONS

ACOUSTIC & ELECTRICAL SPECIFICATIONS:

- Nominal Impedance: 8 ohm
- Recommended Amp Power: 10W to 140W
- Frequency Response: 40 Hz to 20 kHz
- Sensitivity: 92 dB SPL*
- Crossover Frequencies: 1 kHz/5.5 kHz

SYSTEM COMPONENTS:

- Cabinet: CLC312
- Grille: GLC312
- Low Frequency Transducer: 75020 12 in. (300mm) High Polymer Laminate
- DC Resistance: 5.5 ohm \pm 10% Copper Wire
- Mid Range Transducer: 205H 5 in. (127mm) High Polymer Laminate
- DC Resistance: 3.8 ohm \pm 10% Copper Wire

*1 Watt @ 1 Meter

SYSTEM COMPONENTS: (cont'd)

- High Frequency Transducer: 75017 or 75017-01 ** (14mm) Polycarbonate Dome Transducer
- DC Resistance: 6 ohm \pm 10% Copper Wire
- Crossover Network: NLC312/310

AURAL SWEEP TEST SPECIFICATIONS:

- A. System Aural Sweep Test: 3.0V Input, 20 Hz to 20 kHz
- B. L.F. Aural Sweep Test: 3.0V Input, 20 Hz to 2 kHz
- C. M.F. Aural Sweep Test: 3.0V Input, 100 Hz to 6 kHz
- D. H.F. Aural Sweep Test: 3.0V Input, 2 kHz to 17 kHz

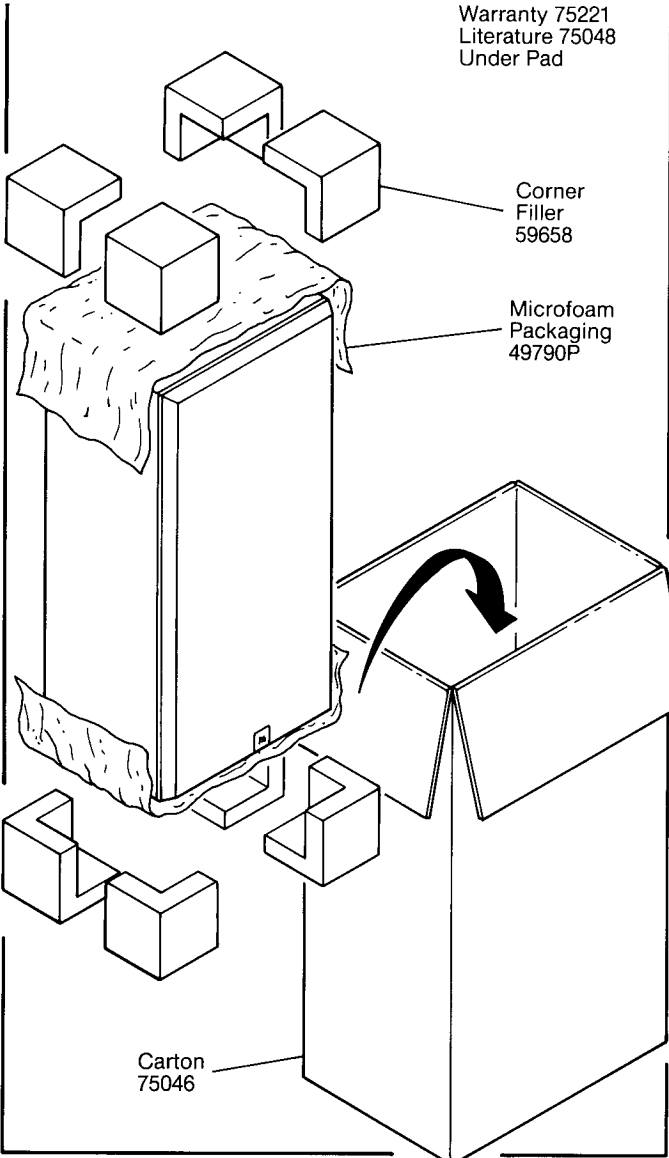
PHYSICAL SPECIFICATIONS:

- Enclosure Dimensions: 36.25 x 14.25 x 10.25 in. D (934mm x 362mm x 261mm D)
- Shipping Weight: 39 lbs. (17.7 kg)

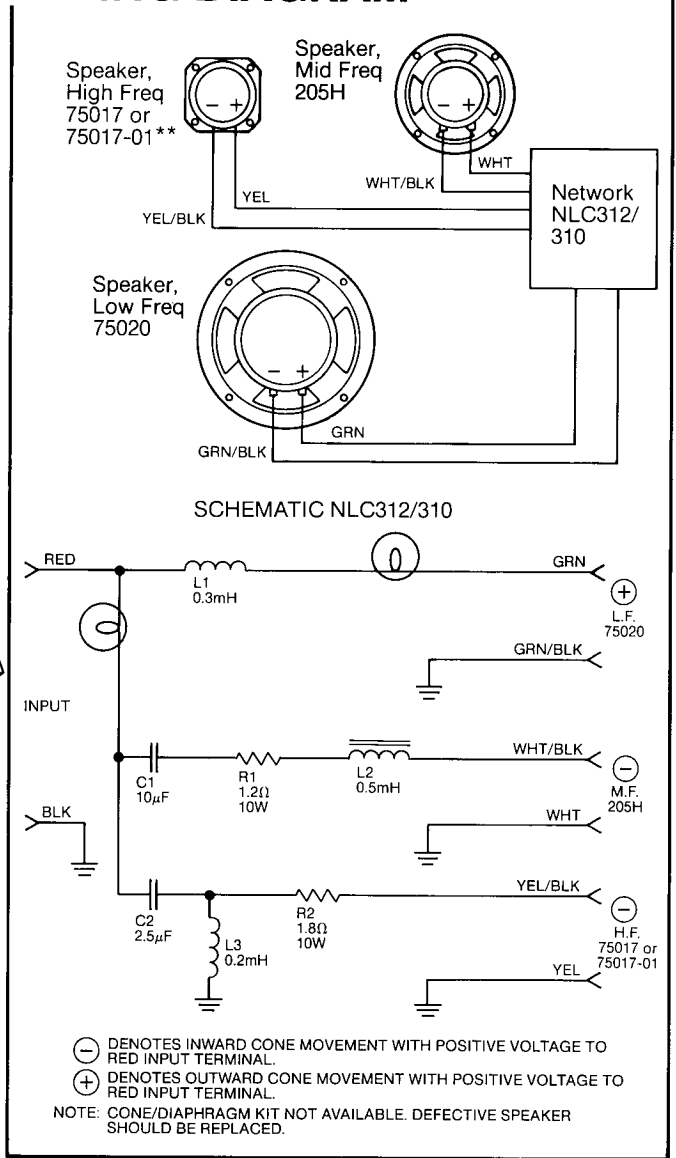
WARRANTY INFORMATION:

- Refer to the Warranty Statement packed with each product.

PACKAGE



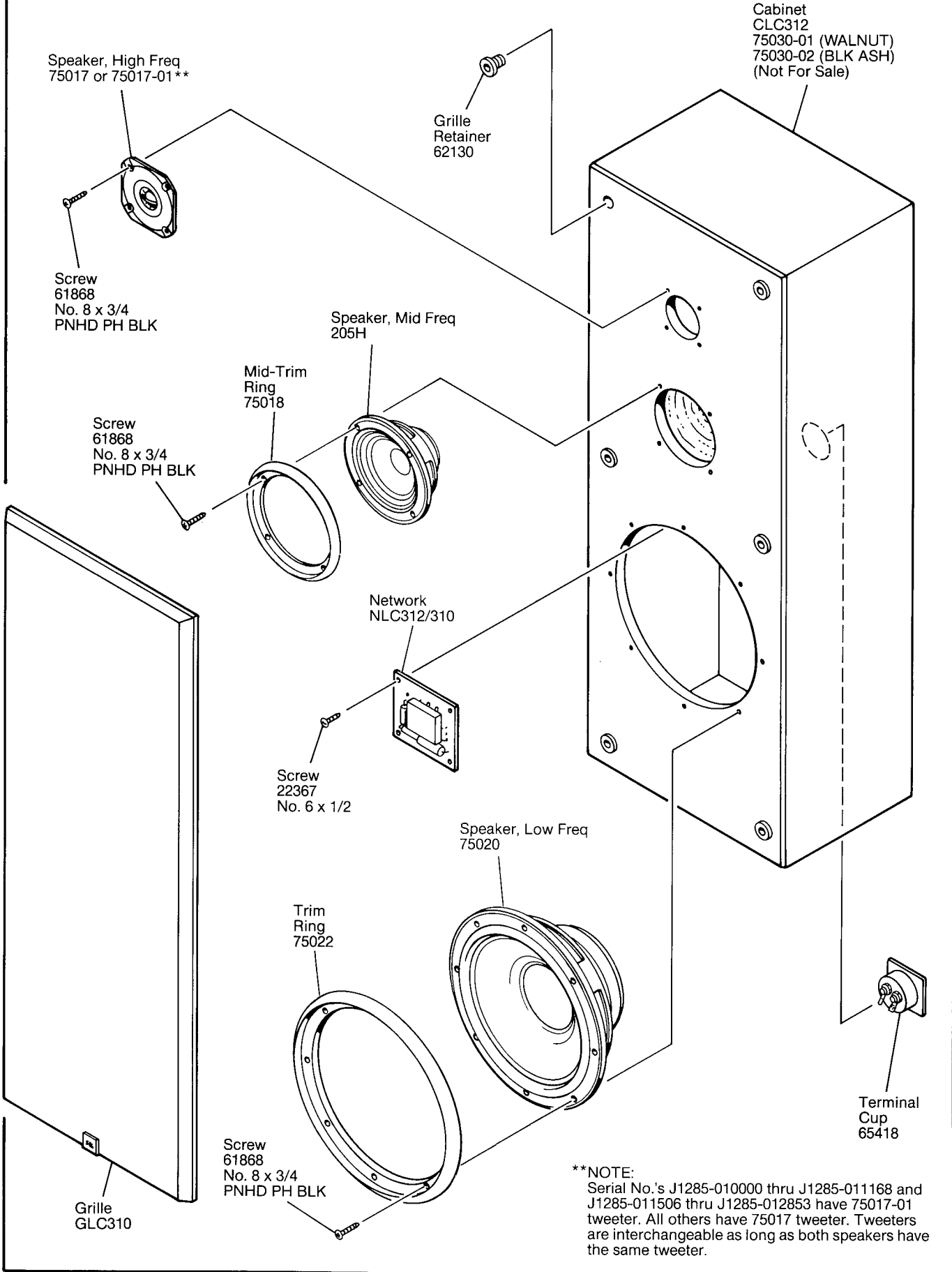
WIRING DIAGRAM



LC312-1

LC312-1

COMPONENT EXPLODED VIEW



LC312-1