



# LX1 CENTER

## SPECIFICATIONS

### ACOUSTIC & ELECTRICAL SPECIFICATIONS:

- \* Nominal Impedance: 4 ohm
- \* Recommended Amp Power: 30-100W
- \* Frequency Response: 80 Hz - 20 kHz  $\pm$
- \* Sensitivity: 87 dB / 2,83V / 1 m
- \* Crossover frequency: 2,5 kHz

### SYSTEM COMPONENTS:

- \* Cabinet: CLX1 Center (Not for sale)
- \* Grille: GLX1 Center (2408900)
- \* Woofer: Lx130-1w 130 mm Woofer (2)  
30 mm voice coil
- DC Resistance: 6,7 ohm

### SYSTEM COMPONENTS: (cont'd)

- \* Tweeter: LX26T-1C 25mm  
Titanium Dome Tweeter
- DC Resistance: 4,9 ohm
- \* Crossover Network: NLX1 Center (2708902)

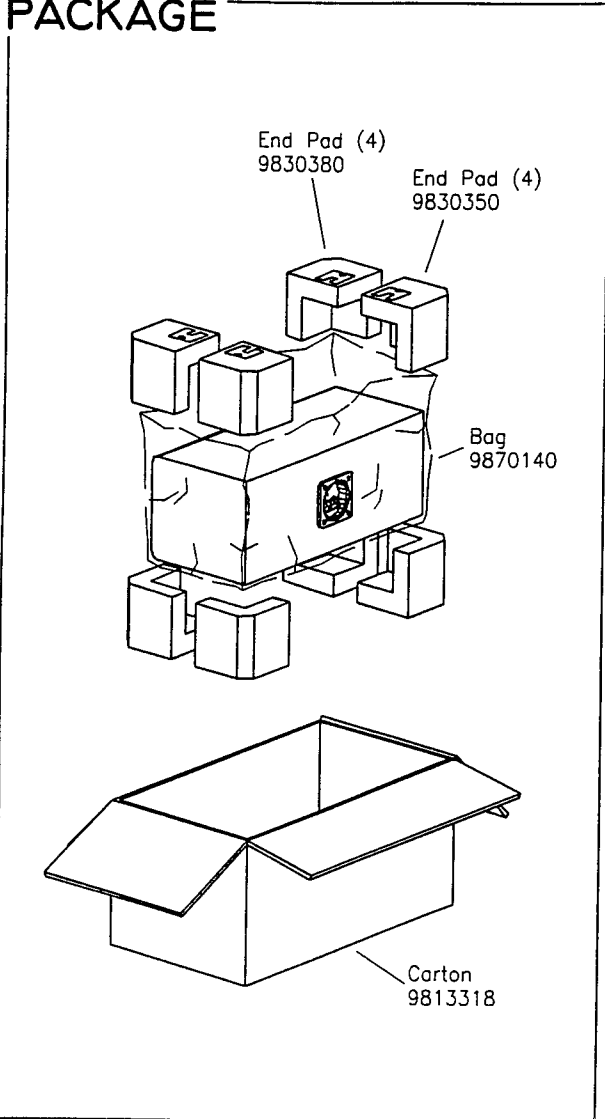
### PHYSICAL SPECIFICATIONS:

- \* Enclosure Dimensions (H.W.D): 7x17,8x8,9 in. D  
(180x452x225mm D)
- \* Shipping Weight: 15,5 lbs. (7 kg.)

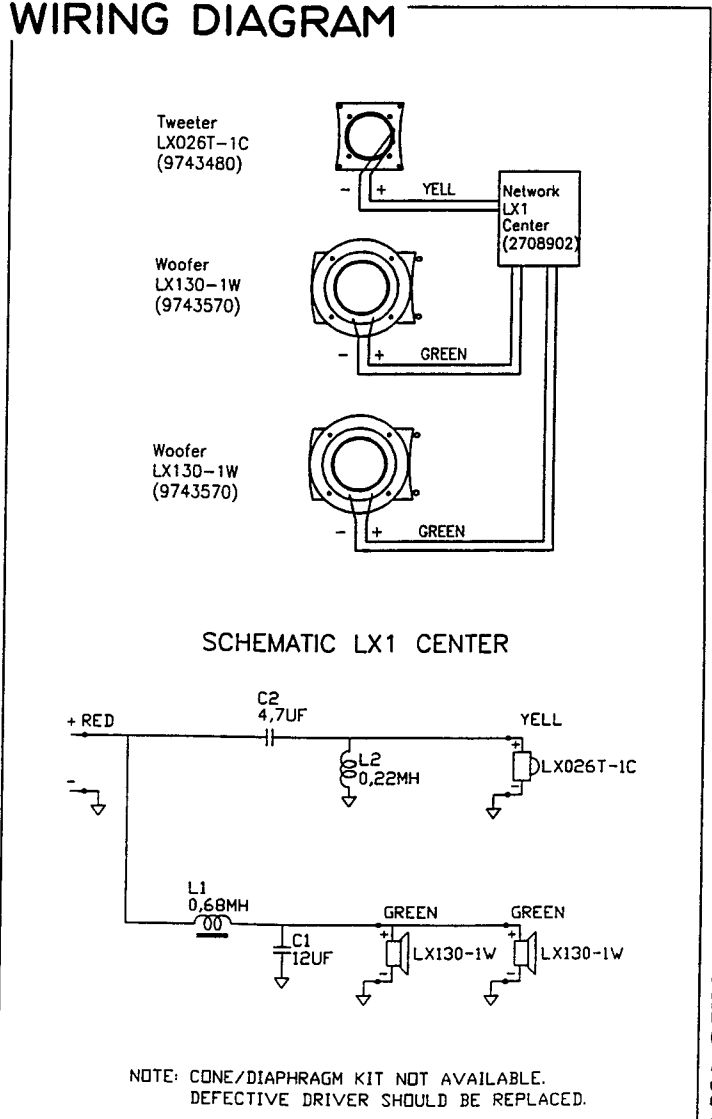
### WARRANTY INFORMATION:

- \* Refer to the Warranty Statement packed with each product

## PACKAGE



## WIRING DIAGRAM

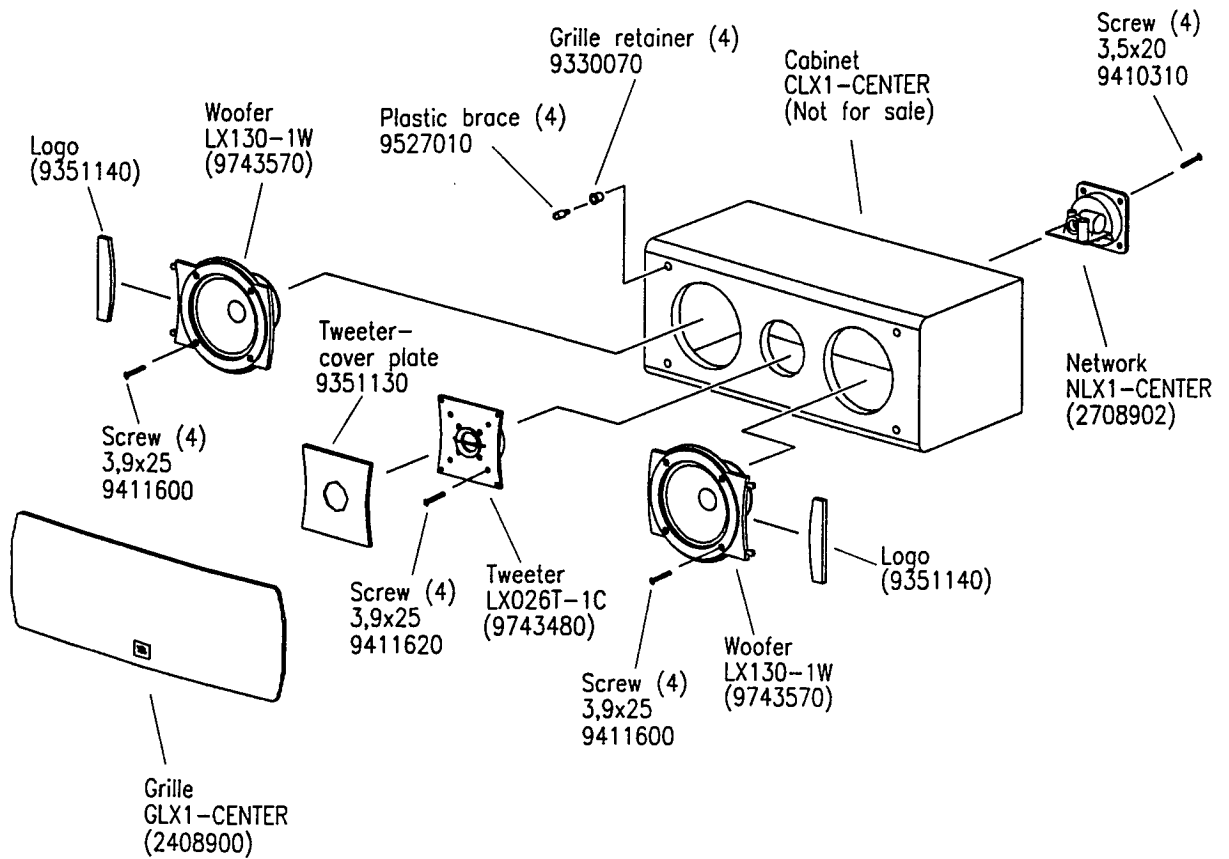


LX1 CENTER

Valid from serial no. 01001 BK  
Valid from serial no. 01001 CH  
Rev. 2/4-1997

# LX1 CENTER

## COMPONENT EXPLODED VIEW



LX1 CENTER