

# LX1 REAR

## SPECIFICATIONS

### ACOUSTIC & ELECTRICAL SPECIFICATIONS:

- \* Nominal Impedance: 6 ohm
- \* Recommended Amp Power: 30-70W
- \* Frequency Response: 100 Hz - 20 kHz
- \* Sensitivity: 87 dB / 2,83V / 1 m

### SYSTEM COMPONENTS:

- \* Cabinet: CLX1 REAR (Not for sale)
  - \* Grille: GLX1 REAR (2402110)
  - \* Woofer: Lx130-1 C 130mm Woofer  
30mm voice coil  
4,5 ohm
- DC Resistance:

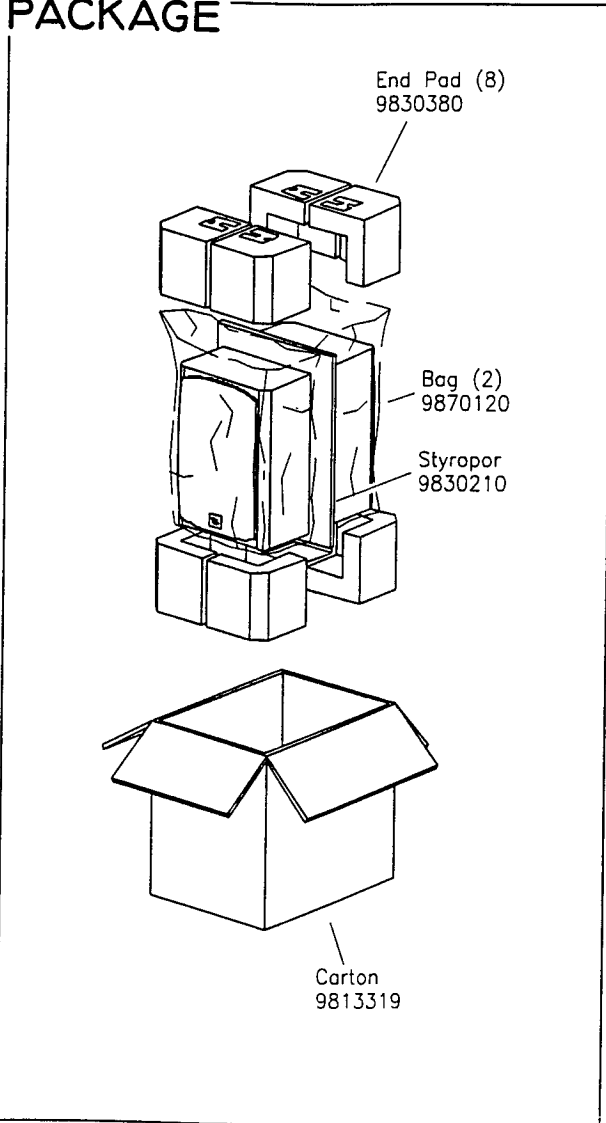
### PHYSICAL SPECIFICATIONS:

- \* Enclosure Dimensions (H.W.D): 10,2x5,1x7 in. D  
(260x130x180mm D)
- \* Shipping Weight: 14.3 lbs. (6,5 kg.)

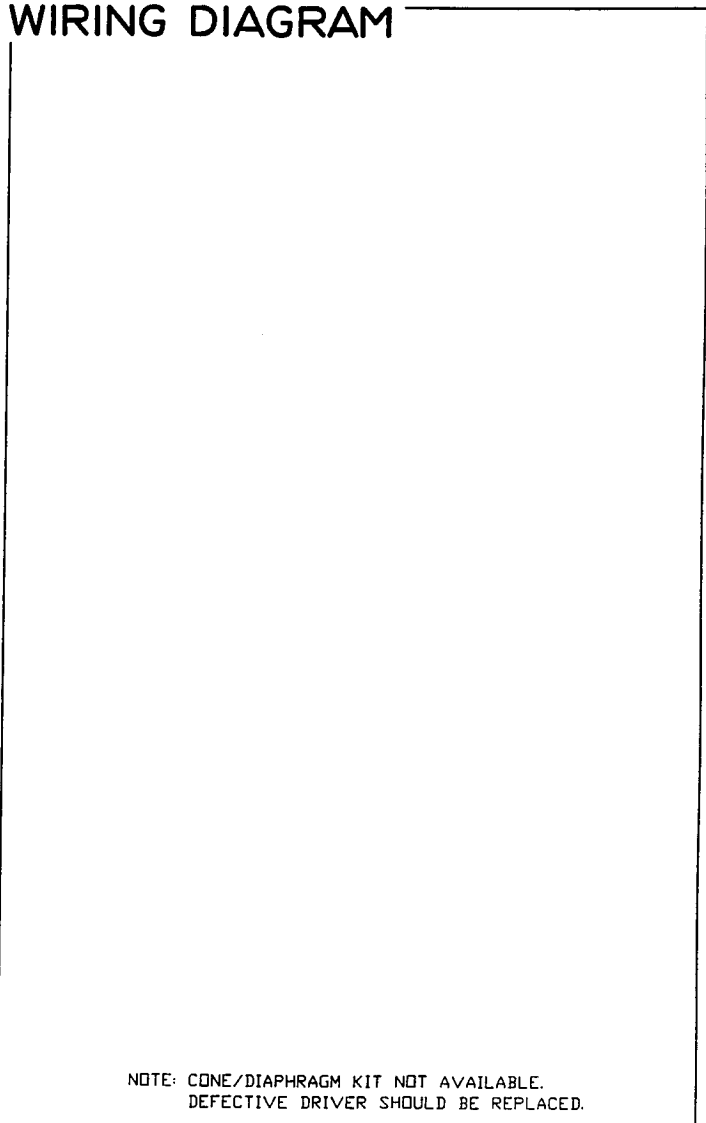
### WARRANTY INFORMATION:

- \* Refer to the Warranty Statement packed with each product

## PACKAGE



## WIRING DIAGRAM



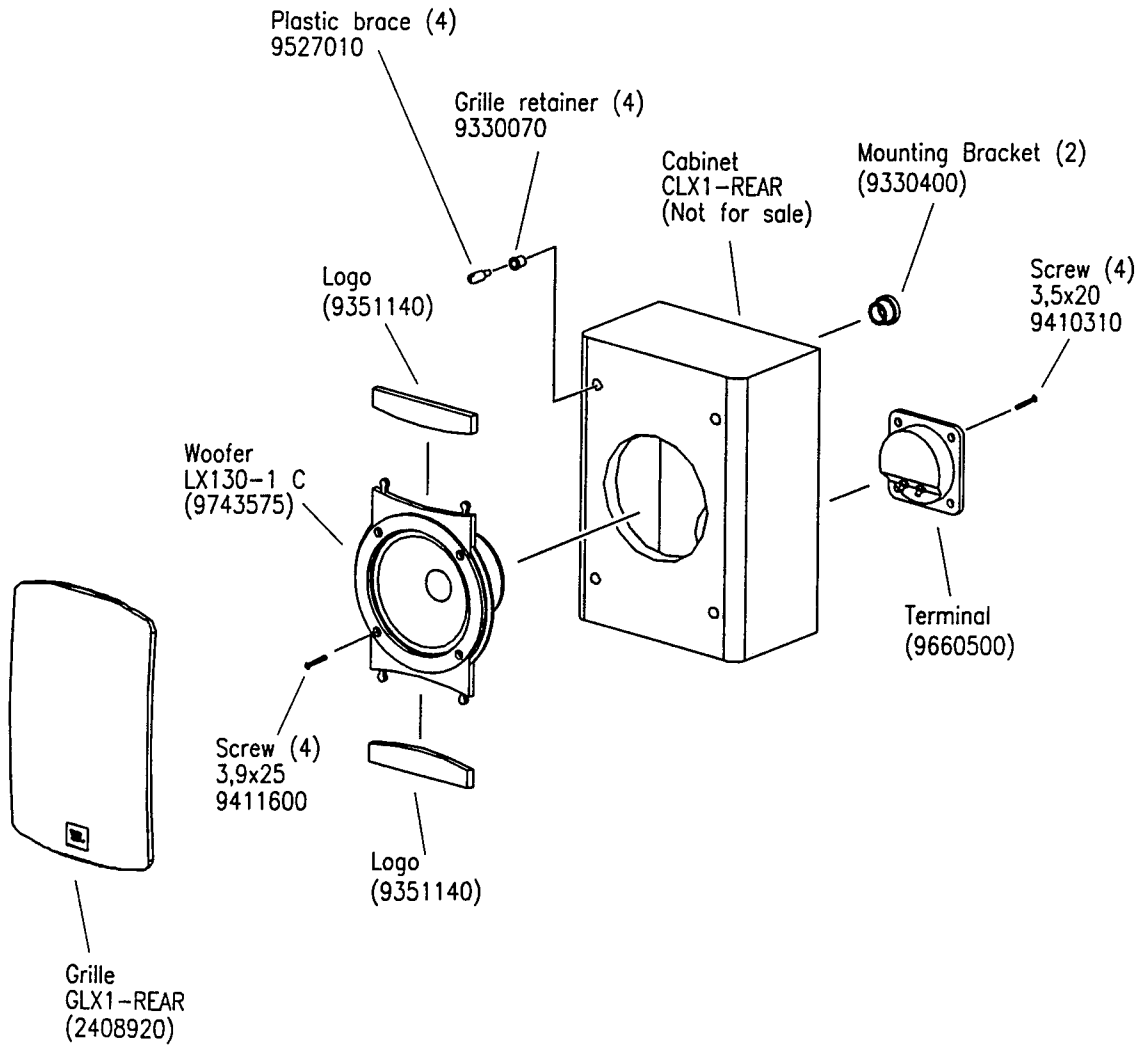
NOTE: CONE/DIAPHRAGM KIT NOT AVAILABLE.  
DEFECTIVE DRIVER SHOULD BE REPLACED.

Valid from serial no. 01001 BK  
Valid from serial no. 01001 CH  
REV. 14/4-1997

LX1 REAR

# LX1 REAR

## COMPONENT EXPLODED VIEW



LX1 REAR