

LX10GR



SPECIFICATIONS

ACOUSTIC & ELECTRICAL SPECIFICATIONS:

- * Nominal Impedance: 6 ohm
- * Recommended Amp Power: 10-300W
- * Frequency Response: 40 Hz - 20 kHz (-6dB)
- * Sensitivity: 90 dB / 2,83V / 1 m
- * Crossover frequency: 600 HZ / 2,5 KHZ

SYSTEM COMPONENTS:

- * Cabinet: CLX10GR (Not for sale)
- * Grille: GLX10GR (2409260)
- * Woofer: NJ250-10 250mm Woofer
38mm voice coil
- DC Resistance: 10,4 ohm
- * Midrange: NJ130-M 130mm Midrange
30mm voice coil

SYSTEM COMPONENTS: (cont'd)

- DC Resistance: 4,6 ohm
- * Tweeter: NJ026T 25mm
Titanium Dome Tweeter
- DC Resistance: 4,3 ohm
- * Crossover Network: NLX10GR (2709260)

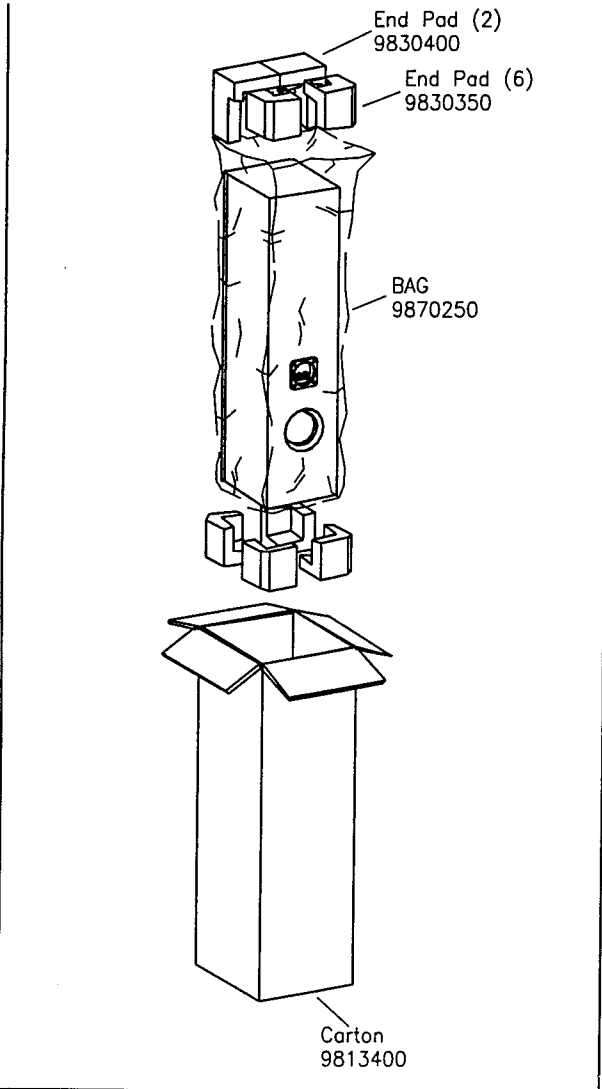
PHYSICAL SPECIFICATIONS:

- * Enclosure Dimensions (H.W.D): 41x10,4x13,4 In. D
(1160x300x371mm D)
- * Shipping Weight: 69,5 lbs. (31,5 kg.)

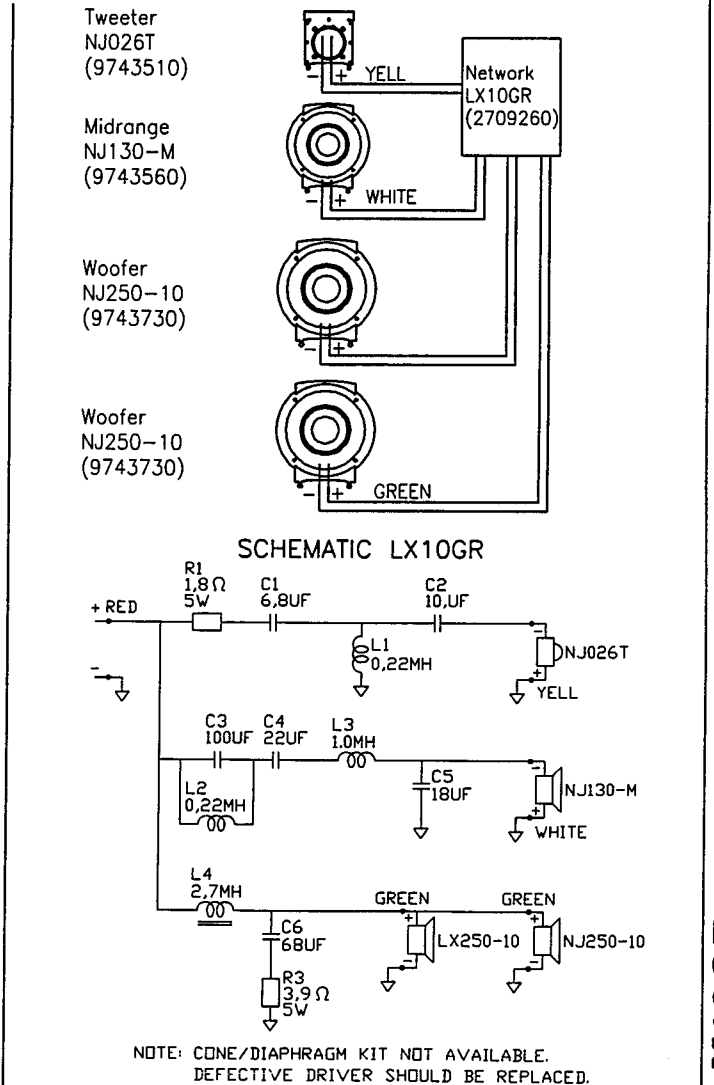
WARRANTY INFORMATION:

- * Refer to the Warranty Statement packed with each product

PACKAGE



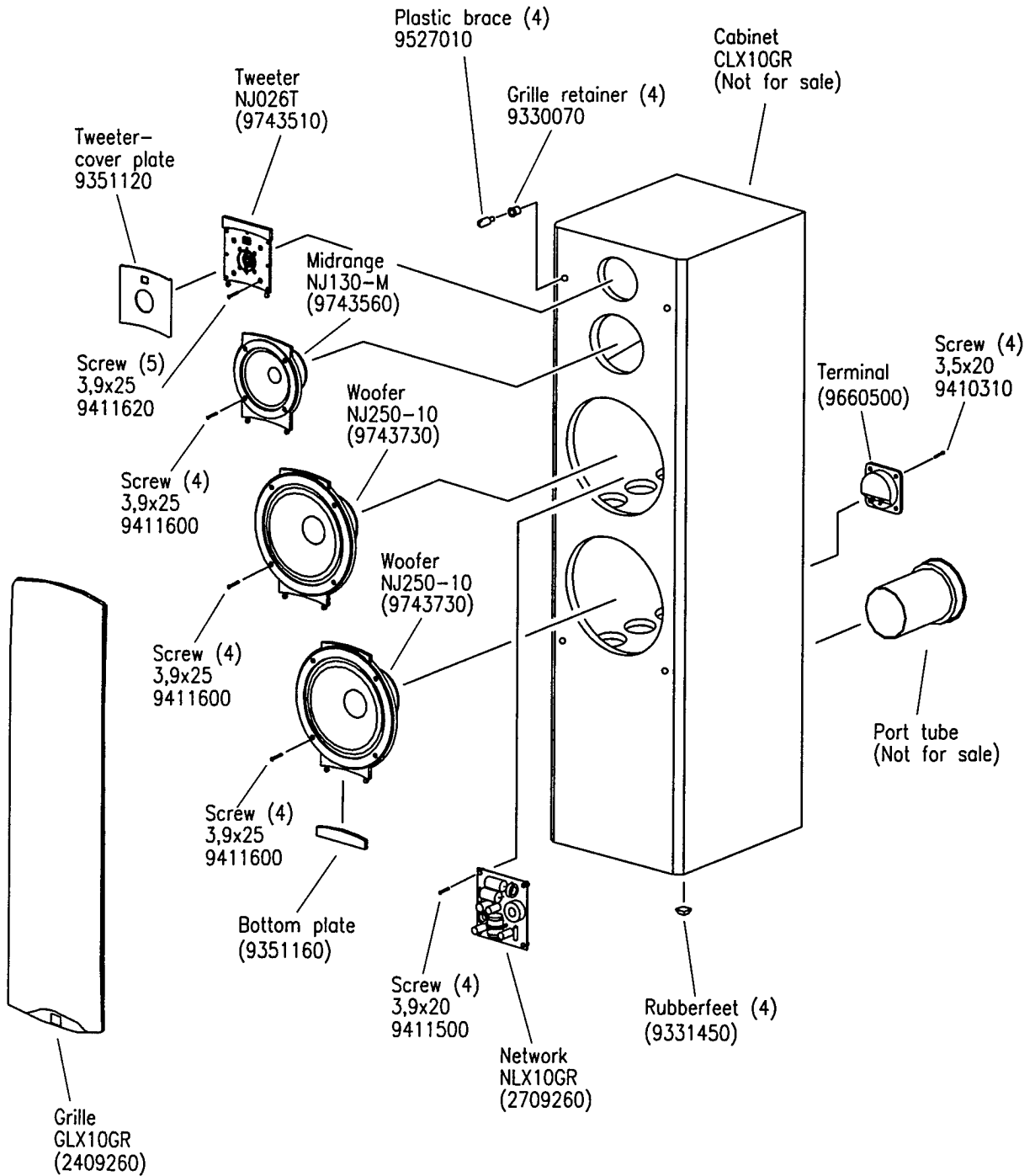
WIRING DIAGRAM



LX10GR

LX10GR

COMPONENT EXPLODED VIEW



LX10GR