

LX1GR CENTER



SPECIFICATIONS

ACOUSTIC & ELECTRICAL SPECIFICATIONS:

- * Nominal Impedance: 4 ohm
- * Recommended Amp Power: 30-100W
- * Frequency Response: 80 Hz - 20 kHz ±
- * Sensitivity: 87 dB / 2,83V / 1 m
- * Crossover frequency: 2,5 kHz

SYSTEM COMPONENTS:

- * Cabinet: CLX1GR Center (Not for sale)
- * Grille: GLX1GR Center (2408900)
- * Woofer: NJ130-1W 130 mm Woofer (2)
30 mm voice coil
- DC Resistance: 6,7 ohm

SYSTEM COMPONENTS: (cont'd)

- * Tweeter: NJ026T-1C 25mm
Titanium Dome Tweeter
- DC Resistance: 4,9 ohm
- * Crossover Network: NLX1GR Center (2708902)

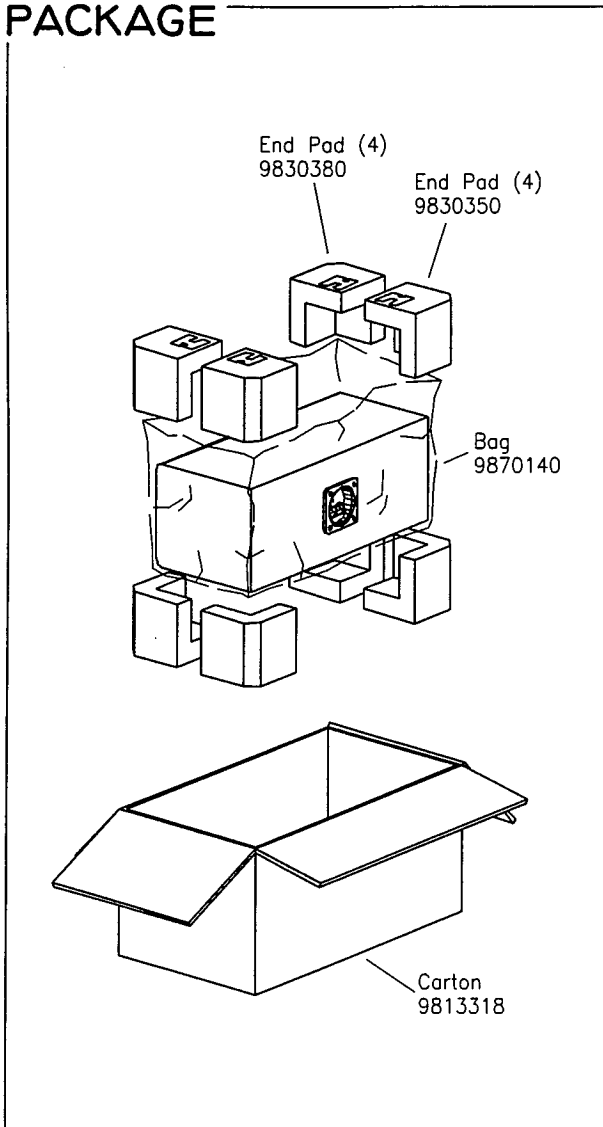
PHYSICAL SPECIFICATIONS:

- * Enclosure Dimensions (H.W.D): 7x17,8x8,9 in. D
(180x452x225mm D)
- * Shipping Weight: 15,5 lbs. (7 kg.)

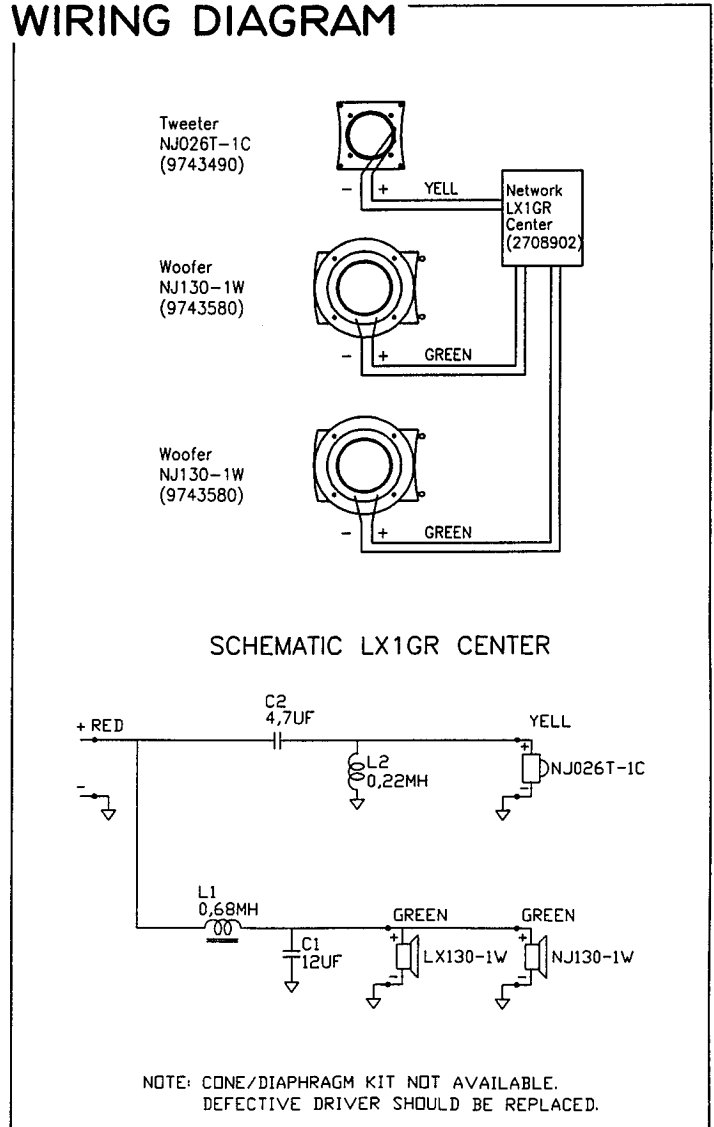
WARRANTY INFORMATION:

- * Refer to the Warranty Statement packed with each product

PACKAGE



WIRING DIAGRAM

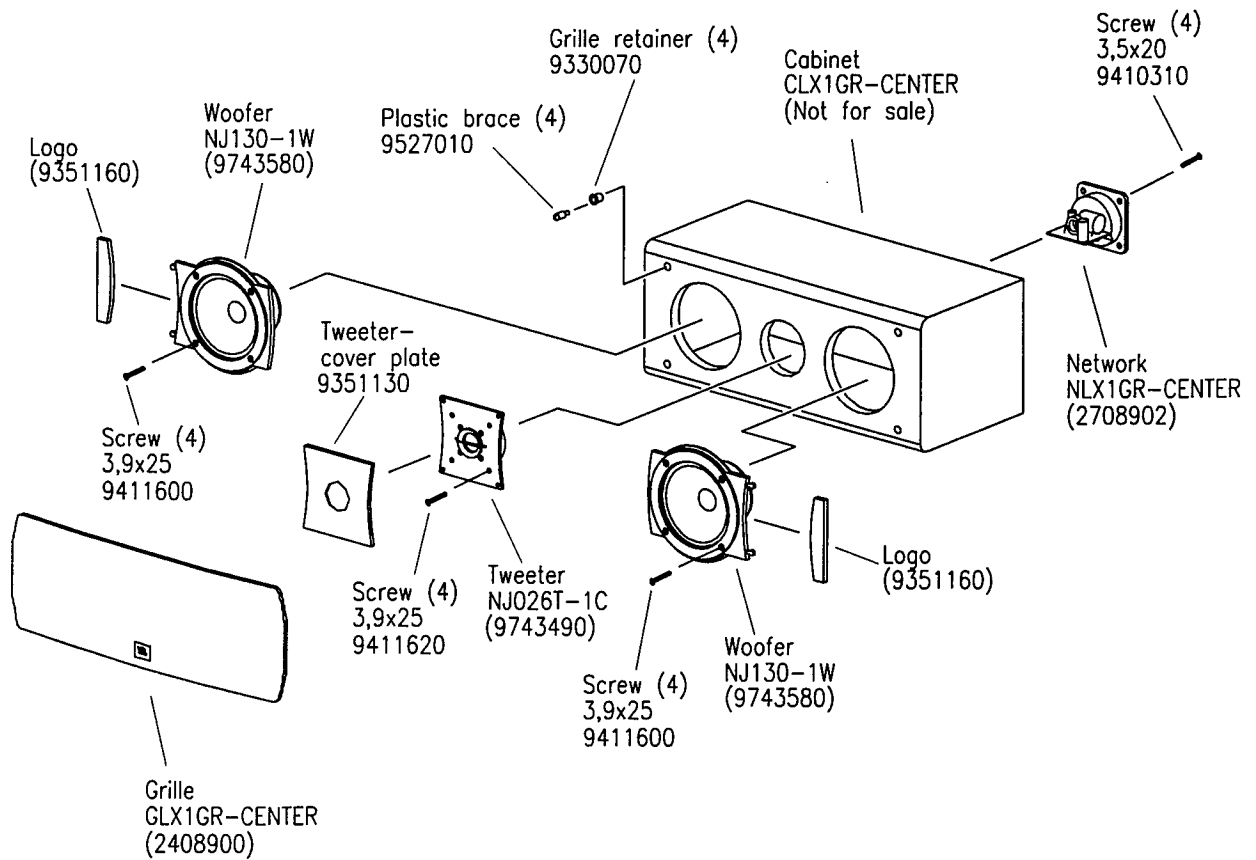


LX1GR CENTER

Valid from serial no. 01001 BK
Valid from serial no. 01001 CH
Rev. 28/8-1997

LX1GR CENTER

COMPONENT EXPLODED VIEW



LX1GR CENTER