

# LX3



## SPECIFICATIONS

### ACOUSTIC & ELECTRICAL SPECIFICATIONS:

- \* Nominal Impedance: 6 ohm
- \* Recommended Amp Power: 10-150W
- \* Frequency Response: 50 Hz - 20 kHz (-6dB)
- \* Sensitivity: 88 dB / 2,83V / 1 m
- \* Crossover frequency: 600 HZ / 2,5 KHZ

### SYSTEM COMPONENTS:

- \* Cabinet: CLX3 (Not for sale)
- \* Grille: GLX3 (2408980)
- \* Woofer: LX170-5 165mm Woofer  
30mm voice coil
- DC Resistance: 4,8 ohm
- \* Midrange: LX130-M 130mm Midrange  
30mm voice coil

### SYSTEM COMPONENTS: (cont'd)

- DC Resistance: 4,6 ohm
- \* Tweeter: LX026T 25mm  
Titanium Dome Tweeter
- DC Resistance: 4,3 ohm
- \* Crossover Network: NLX3 (2708980)

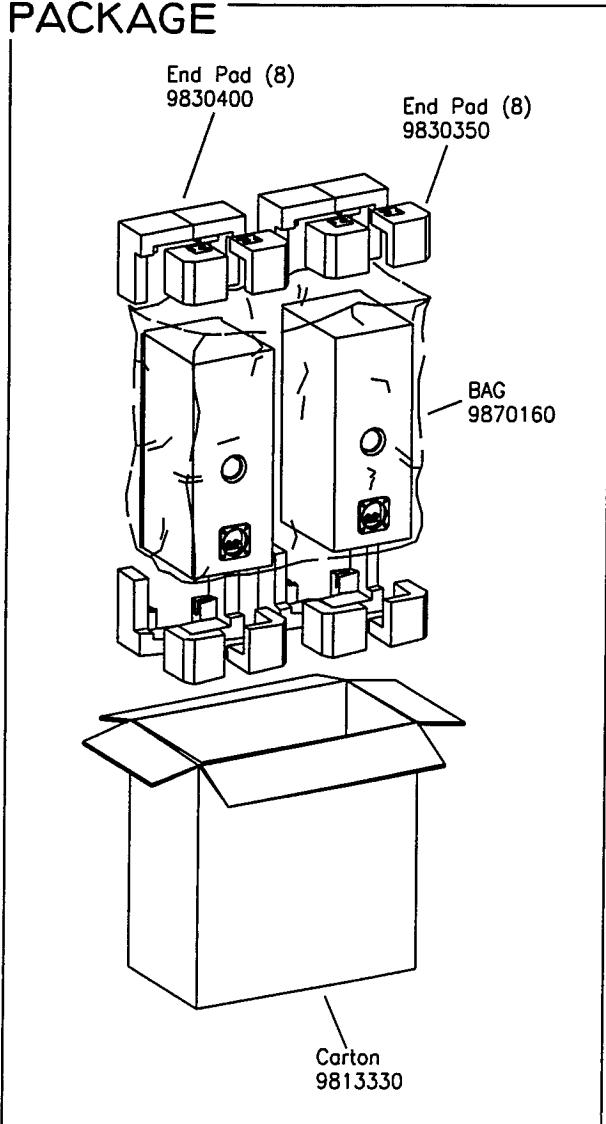
### PHYSICAL SPECIFICATIONS:

- \* Enclosure Dimensions (H.W.D): 21,7x8,7x11,1 In. D  
(550x220x283mm D)
- \* Shipping Weight: 48 lbs. (22 kg.)

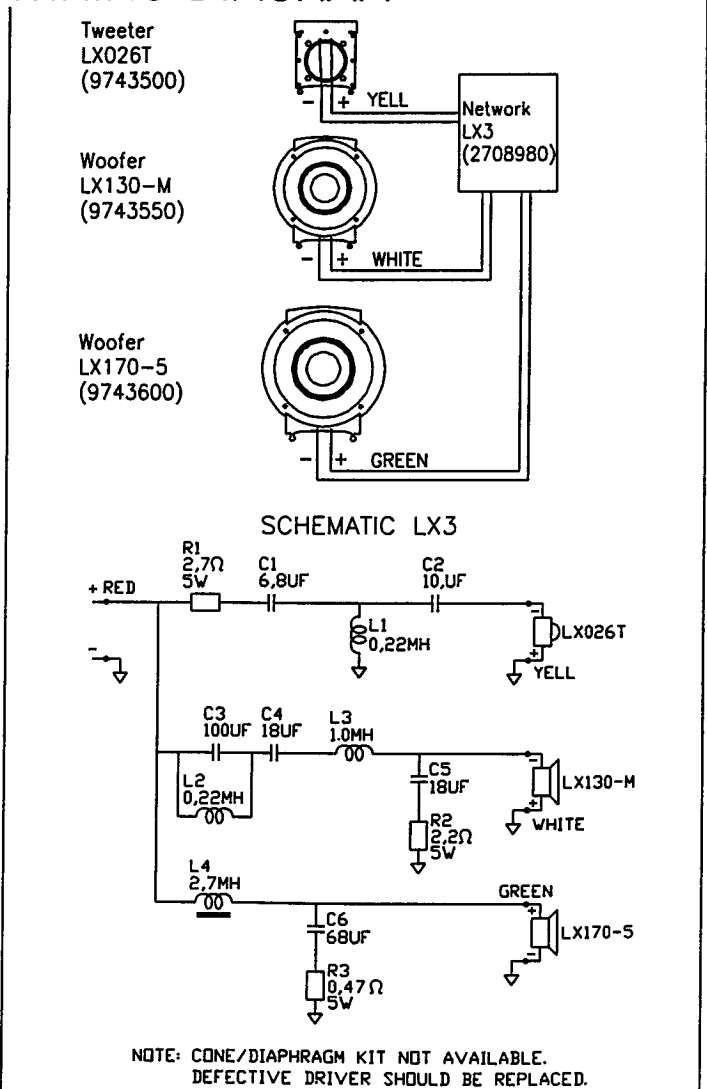
### WARRANTY INFORMATION:

- \* Refer to the Warranty Statement packed with each product

## PACKAGE



## WIRING DIAGRAM



LX3

Valid from serial no. 01001  
Rev. 14/09-1996

# LX3

## COMPONENT EXPLODED VIEW

