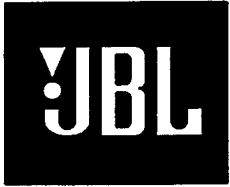


Technical Manual

LX30



SPECIFICATIONS

ACOUSTIC & ELECTRICAL SPECIFICATIONS:

- * Nominal Impedance: 6 ohm
- * Recommended Amp Power: 10-150W
- * Frequency Response: 50 Hz - 20 kHz (-6dB)
- * Sensitivity: 88 dB / 2,83V / 1 m
- * Crossover frequency: 600 HZ / 2,5 KHZ

SYSTEM COMPONENTS:

- * Cabinet: CLX30 (Not for sale)
- * Grille: GLX30 (2409350)
- * Woofer: LX170-497 165mm Woofer
30mm voice coil
- DC Resistance: 4,8 ohm
- * Midrange: LX130-97M 130mm Midrange
30mm voice coil

SYSTEM COMPONENTS: (cont'd)

- DC Resistance: 4,6 ohm
- * Tweeter: LX026T-97 25mm
Titanium Dome Tweeter
- DC Resistance: 4,3 ohm
- * Crossover Network: NLX30 (2709350)

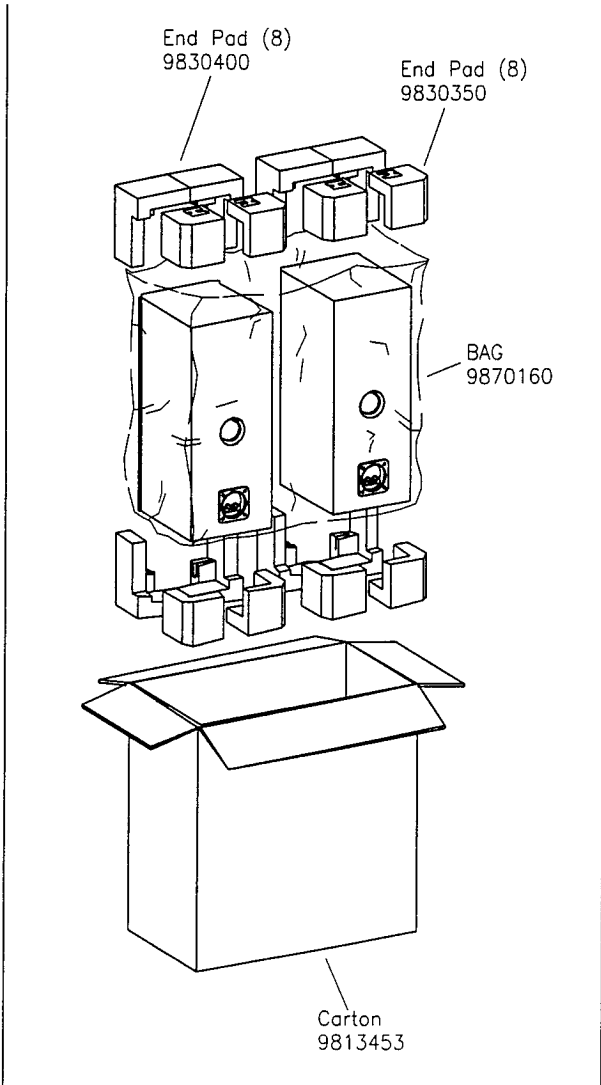
PHYSICAL SPECIFICATIONS:

- * Enclosure Dimensions (H.W.D): 21,7x8,7x11,1 In. D
(550x220x283mm D)
- * Shipping Weight: 48 lbs. (22 kg.)

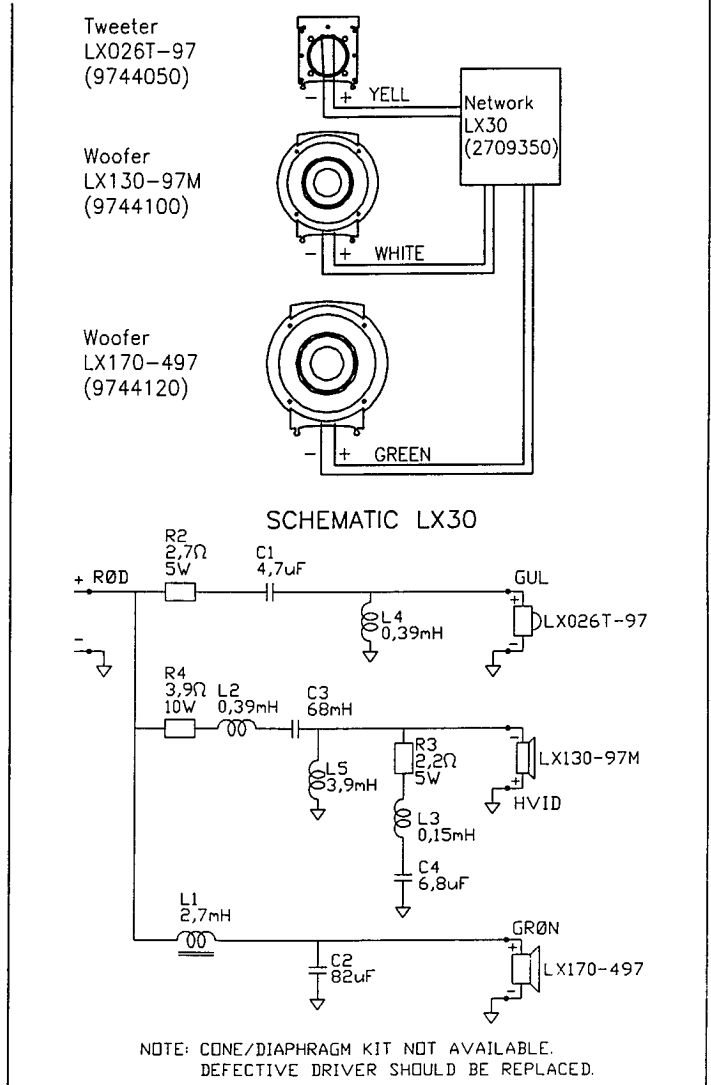
WARRANTY INFORMATION:

- * Refer to the Warranty Statement packed with each product

PACKAGE



WIRING DIAGRAM

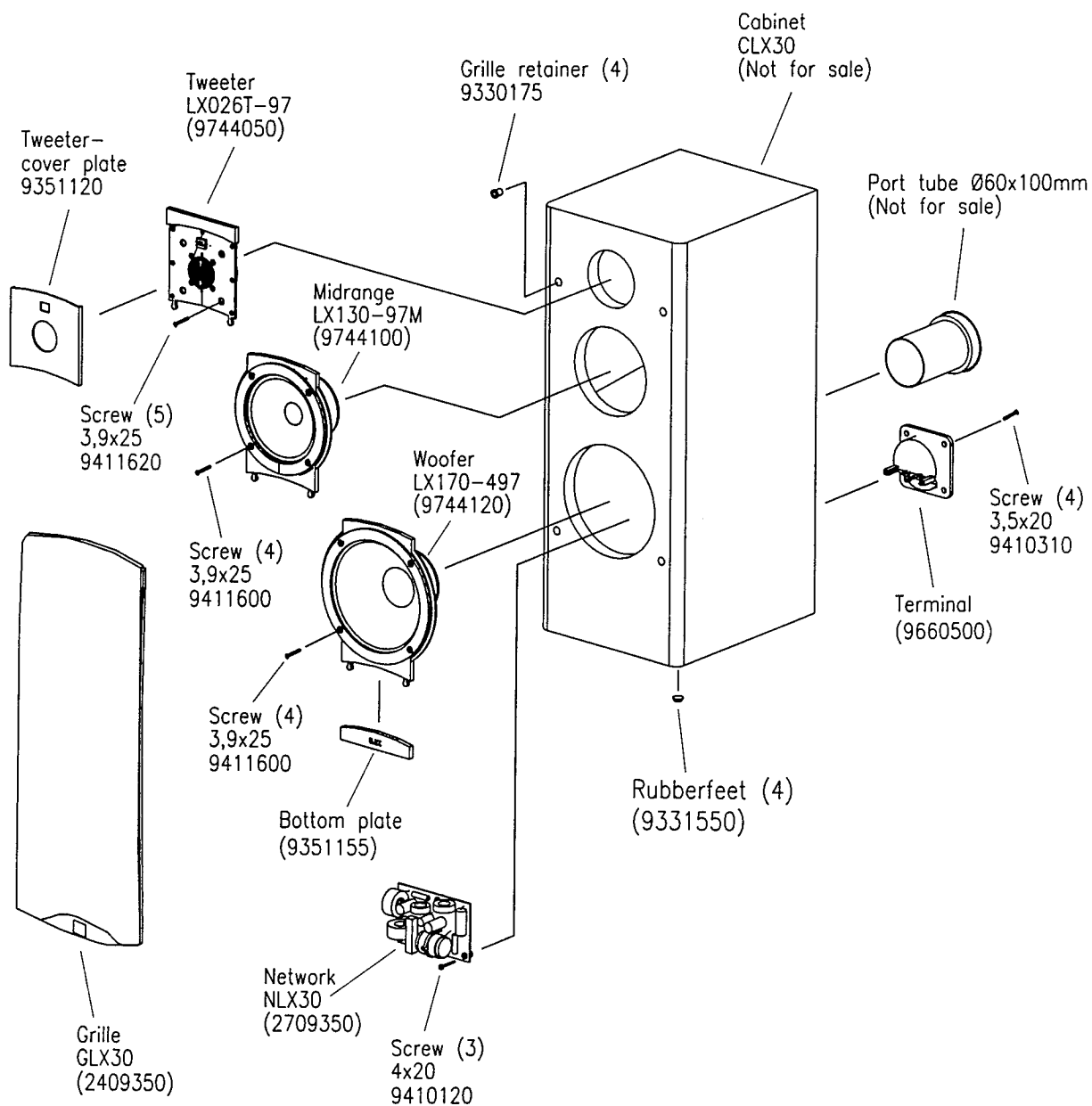


LX30

Valid from serial no. 01001
Rev. 08/01-1998

LX30

COMPONENT EXPLODED VIEW



LX30