



LX300

SPECIFICATIONS

ACOUSTIC & ELECTRICAL SPECIFICATIONS:

- Nominal Impedance: 8 ohm
- Recommended Amp Power: 10W to 125W
- Frequency Response: 50 Hz to 23 kHz (-6 dB)
- Sensitivity: 90 dB SPL*
- Crossover Frequencies: 2.7 kHz

SYSTEM COMPONENTS:

- Cabinet: CLX300
- Grille: GLX300
- Low Frequency Transducer: 406G-1 6.5 in. (165mm) High Polymer Laminate Cone Transducer
- DC Resistance: 5.8 ohm ±10% Copper Wire
- High Frequency Transducer: 027Ti 1 in. (25mm) Pure Titanium Dome Transducer

SYSTEM COMPONENTS: (cont'd)

- DC Resistance: 4.0 ohm ±10% Copper Wire
- Crossover Network: NLX300

AURAL SWEEP TEST SPECIFICATIONS:

- A. System Aural Sweep Test: 6.0V Input, 20 Hz to 20 kHz
- B. L.F. Aural Sweep Test: 6.0V Input, 20 Hz to 2.7 kHz
- C. H.F. Aural Sweep Test: 2.83V Input, 2 kHz to 20 kHz

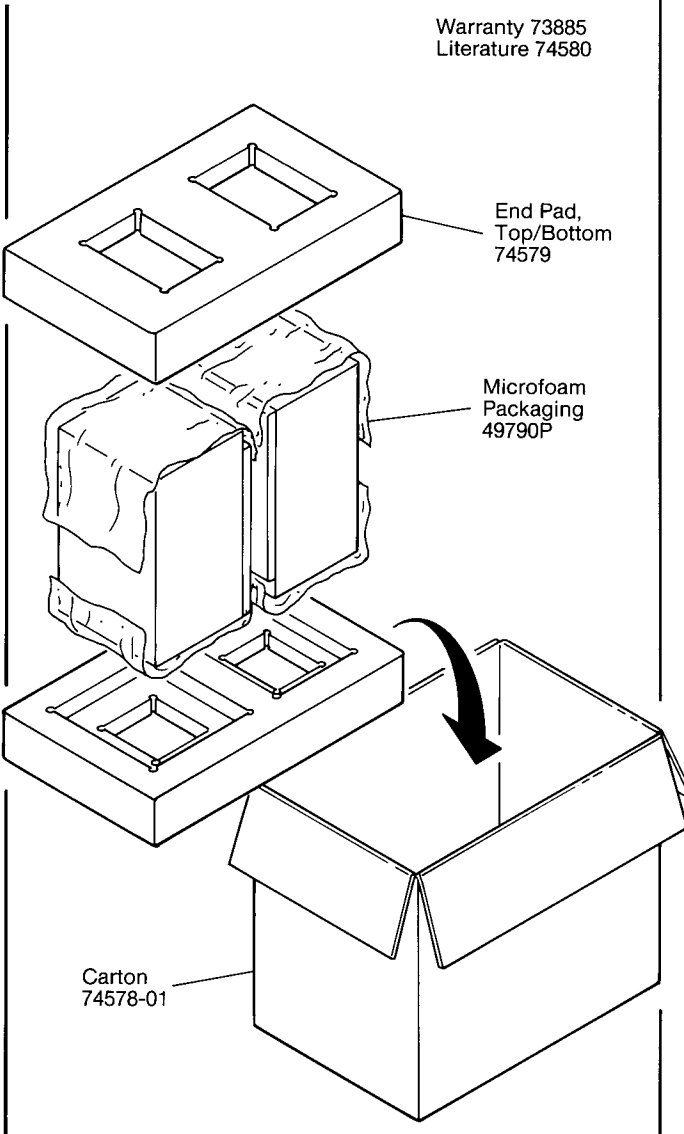
PHYSICAL SPECIFICATIONS:

- Enclosure Dimensions: 16.0 x 9.25 x 9.62 in. D (406mm x 235mm x 244mm D)
- Shipping Weight: 18 lbs. (8.2 kg.)

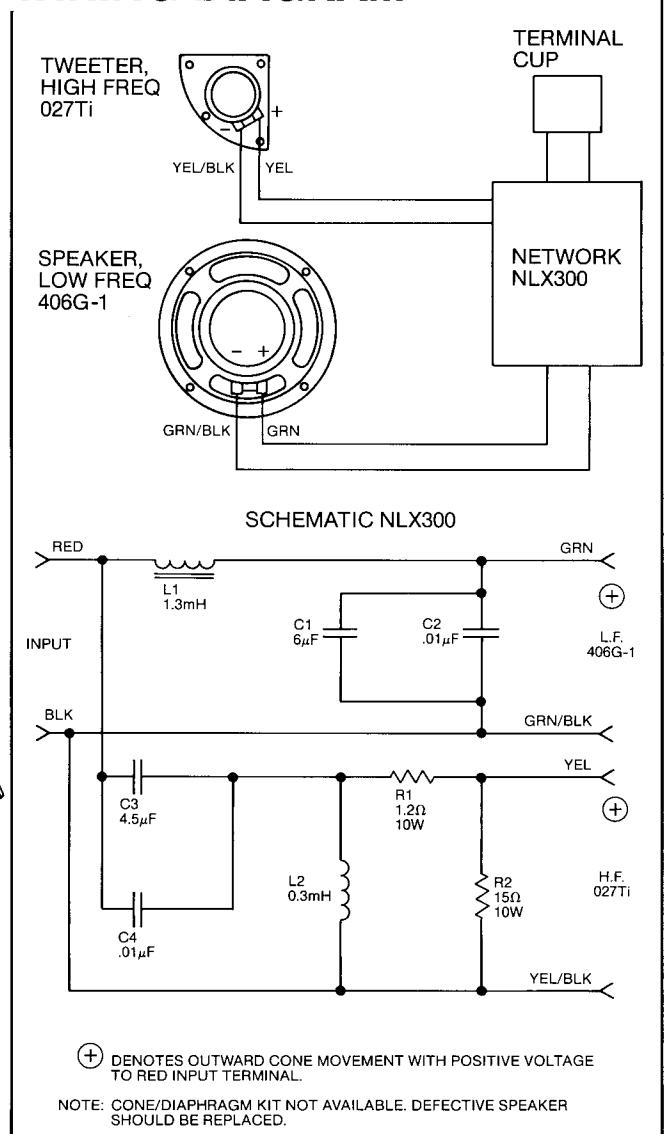
WARRANTY INFORMATION:

- Refer to the Warranty Statement packed with each product.
- *1 Watt @ 1 Meter

PACKAGE



WIRING DIAGRAM



LX300

LX300

COMPONENT EXPLODED VIEW

