

LX440

SPECIFICATIONS

ACOUSTIC & ELECTRICAL SPECIFICATIONS:

- Nominal Impedance: 8 ohm
- Recommended Amp Power: 10W to 140W
- Frequency Response: 45 Hz to 23 kHz (-6dB)
- Sensitivity: 90 dB SPL*
- Crossover Frequency: 2.4 kHz

SYSTEM COMPONENTS:

- Cabinet: CLX440 (Not For Sale)
- Grille: GLX440
- Low Frequency Transducer: 408G-1 8 in. (200mm) High Polymer Laminate (70460-01)
- DC Resistance: 5.5 ohm \pm 10% Copper Wire
- High Frequency Transducer: 027Ti 1 in. (25mm) Pure Titanium Dome (74528)
- DC Resistance: 4.0 ohm \pm 10% Copper Wire

SYSTEM COMPONENTS: (cont'd)

- Crossover Network: NLX440 (76411)

AURAL SWEEP TEST SPECIFICATIONS:

- A. System Aural Sweep Test: 6.0V Input, 20 Hz to 20 kHz
- B. L.F. Aural Sweep Test: 6.0V Input, 20 Hz to 1 kHz
- C. H.F. Aural Sweep Test: 2.83V Input, 2 kHz to 20 kHz

PHYSICAL SPECIFICATIONS:

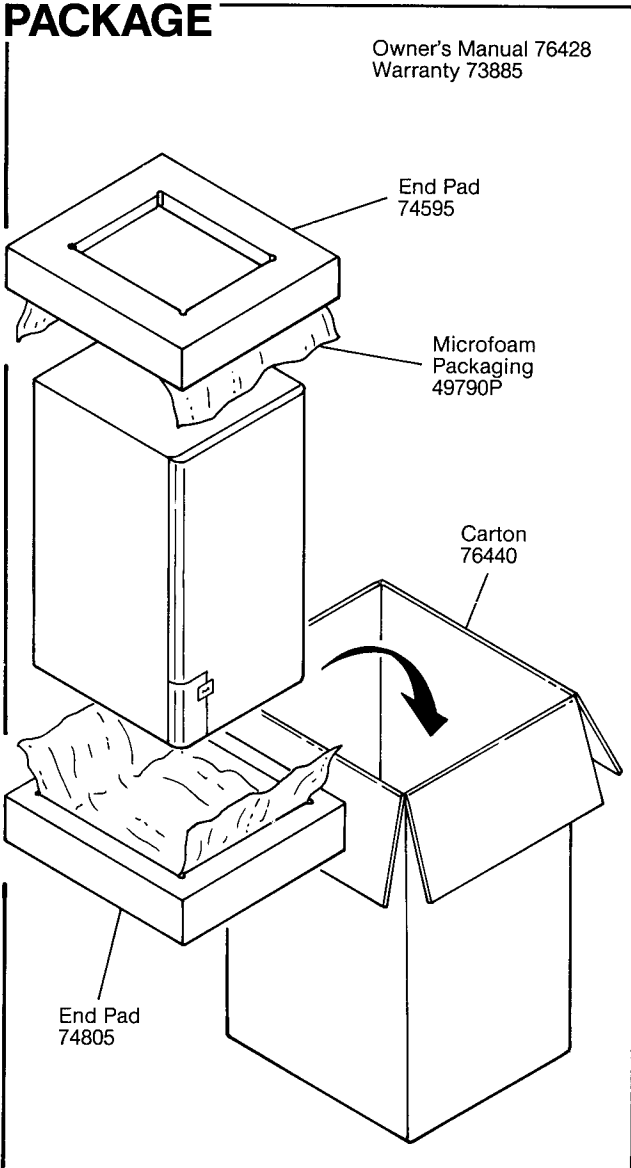
- Enclosure Dimensions: 21.5 x 10.75 x 12.0 in. D (546mm x 273mm x 305mm D)
- Shipping Weight: 34 lbs. (15.5 kg.)

WARRANTY INFORMATION:

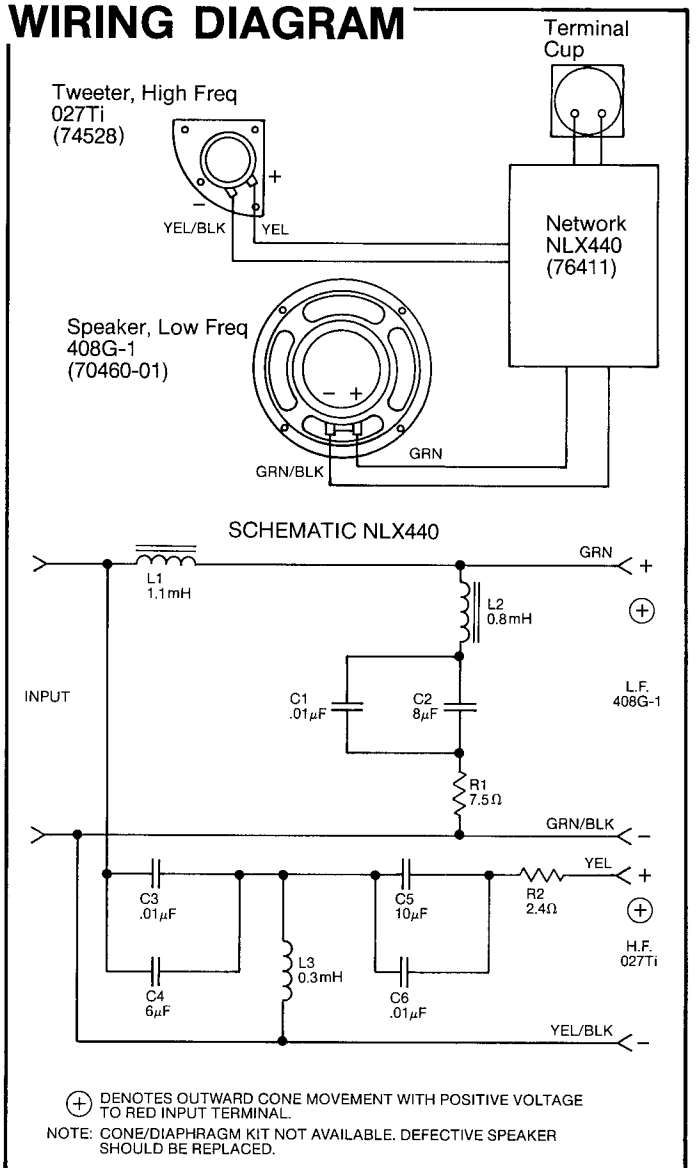
- Refer to the Warranty Statement packed with each product.

*1 Watt @ 1 Meter

PACKAGE



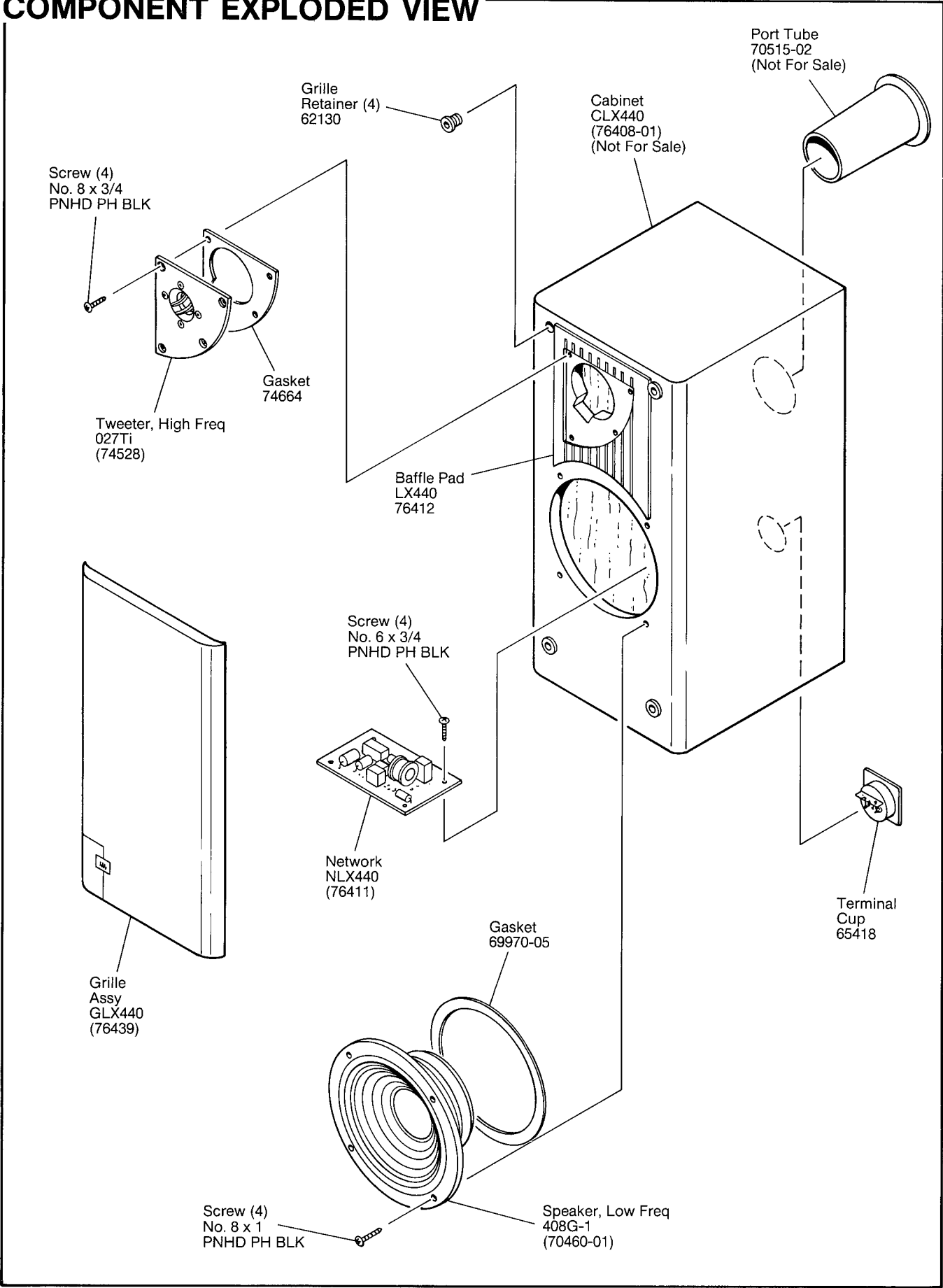
WIRING DIAGRAM



LX440

LX440

COMPONENT EXPLODED VIEW



LX440