

# LX500

## SPECIFICATIONS



### ACOUSTIC & ELECTRICAL SPECIFICATIONS:

- Nominal Impedance: 8 ohm
- Recommended Amp Power: 10W to 150W
- Frequency Response: 45 Hz to 23 kHz (-6 dB)
- Sensitivity: 90 dB SPL\*
- Crossover Frequencies: 750 Hz and 3.4 kHz

### SYSTEM COMPONENTS:

- Cabinet: CLX500
- Grille: GLX500
- Low Frequency Transducer: 408G-1 8.0 in. (200mm) High Polymer Laminate Cone Transducer
- DC Resistance: 5.5 ohm ±10% Copper Wire
- Mid Range Transducer: 405G-1 5.0 in. (127mm) High Polymer Laminate Cone Transducer
- DC Resistance: 5.0 ohm ±10% Copper Wire

### SYSTEM COMPONENTS: (cont'd)

- High Frequency Transducer: 027Ti 1 in. (25mm) Pure Titanium Dome Transducer
- DC Resistance: 4.0 ohm ±10% Copper Wire
- Crossover Network: NLX500

### AURAL SWEEP TEST SPECIFICATIONS:

- A. System Aural Sweep Test: 6.0V Input, 20 Hz to 20 kHz
- B. L.F. Aural Sweep Test: 6.0V Input, 20 Hz to 1 kHz
- C. M.F. Aural Sweep Test: 6.0V Input, 700 Hz to 5 kHz
- D. H.F. Aural Sweep Test: 2.83V Input, 2 Hz to 20 kHz

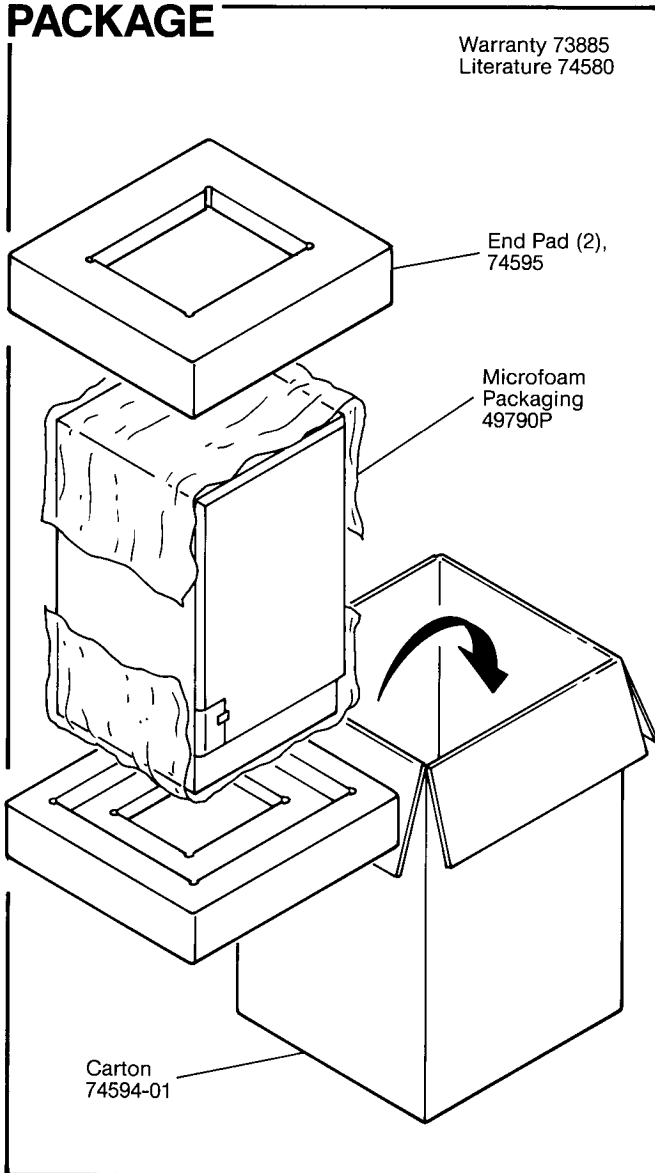
### PHYSICAL SPECIFICATIONS:

- Enclosure Dimensions: 23.62 x 10.81 x 12.75 in. D (600mm x 275mm x 323mm D)
- Shipping Weight: 34 lbs. (15.5 kg.)

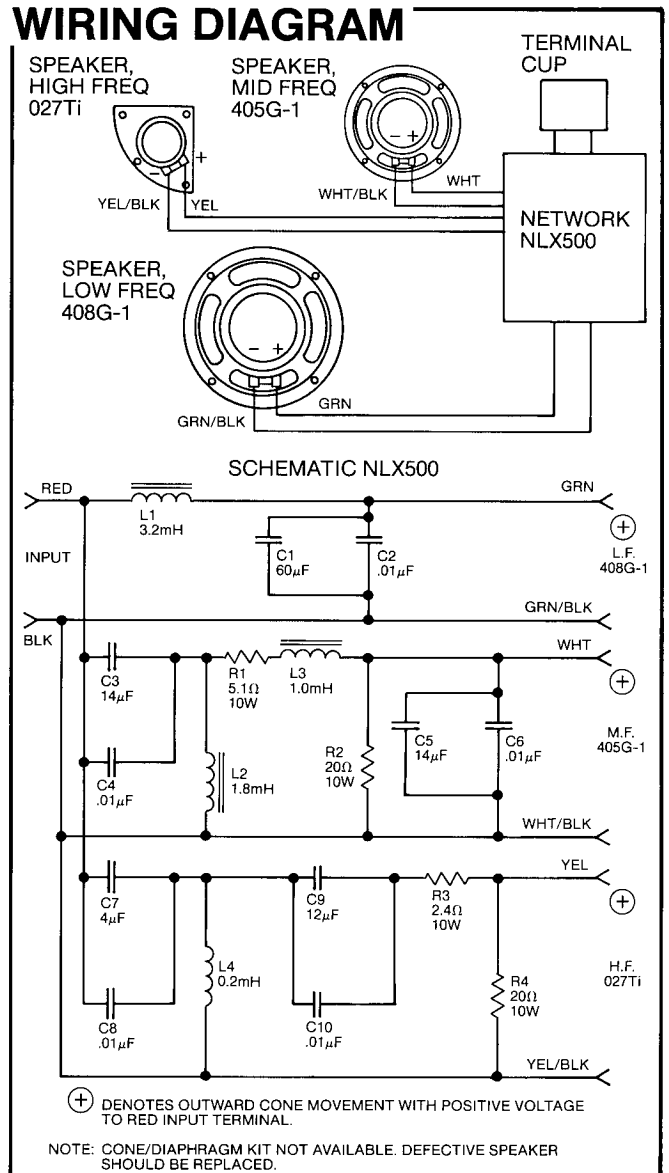
### WARRANTY INFORMATION:

- Refer to the Warranty Statement packed with each product.
- \*1 Watt @ 1 Meter

## PACKAGE



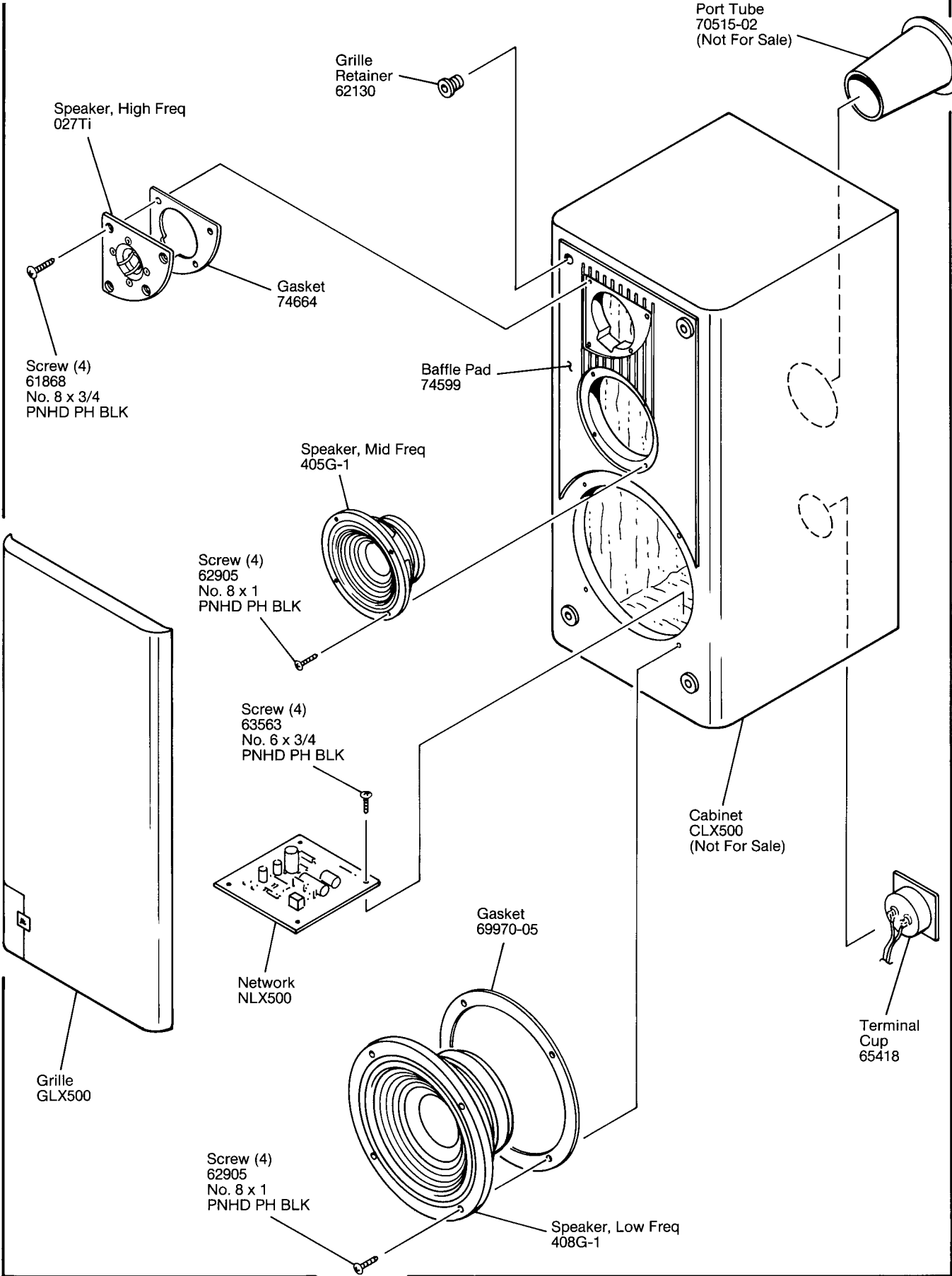
## WIRING DIAGRAM



LX500

# LX500

## COMPONENT EXPLODED VIEW



LX500