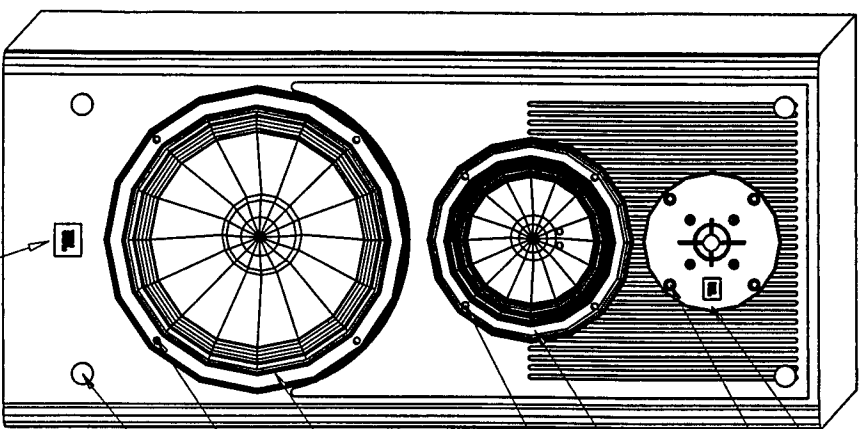


LX-500 MKII



LOGO (94503220)

TWEETER A026TS (9740650)

SCREW 3.9x20 (4) (9411500)

MIDRANGE A605 (9740700)

SCREW 3.9x25 (4) (9411600)

WOOFER A608 (9740800)

SCREW 3.9x35 (4) (9711700)

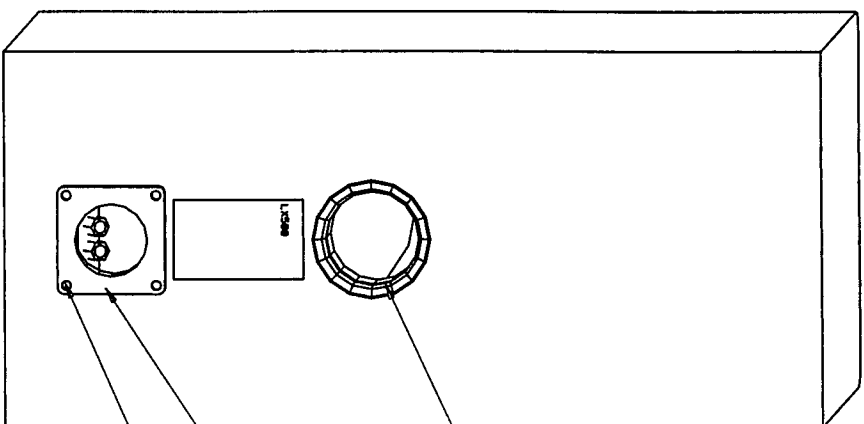
GRILLE RETAINER (4) (9330100)

GRILLE : 2401860

NETWORK : 2701680

SCREW 3,9x20 (4) : 9411500

RUBBERFEET (4) : 9331550



PORT TUBE
<NOT FOR SALE>

TERMINAL (9660500)

SCREW 3,5x20 (4)
(9410310)